

BBS-3F

Flow indicators
with weld ends

Inline flow indicator with weld end full view and standard version



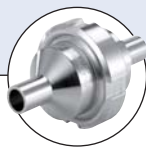
Hygienic Processing Components.....



Type BBS-05
Quick connect



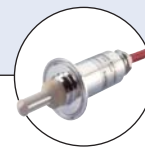
Type BBS-07
Block flange



Type BBS-10
Ball check valve



Type 2103
Diaphragm valve



Type 8221
Conductivity sensor



Type 8650
Process Automation

- Guaranteed crevice free
- Fully traceable wetted materials, traceable seal available on request
- Suitable for CIP and SIP
- Glass mounted without stress

These sterile flow indicators can be installed in any position to observe liquid flow in any direction. The flow indicator is usually employed to detect either the presence or absence of solutions, or to observe fluids for turbulence, colour or clarity.

They are ideal for high purity applications.

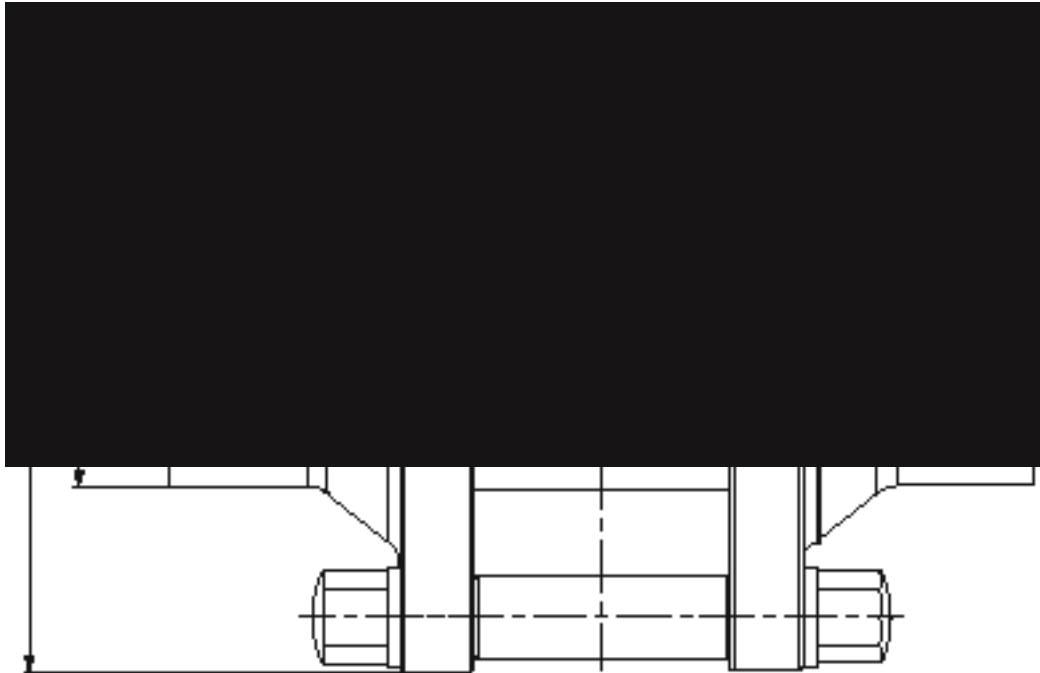
The standard view indicator offers excellent process visualization whilst protecting the glass and the full view version allows a 360° process vision, this means you can observe fluid flow from any position.

Applications

- Biotechnology
- Pharmaceutical
- Chemical industry
- Dairy
- Food
- Cosmetic

Technical data	
Available standard sizes	ISO DN08 to DN150 BS-OD DN1/4" to DN6"
Full view version	DIN DN04 to DN150
Standard version	ISO DN08 to DN50 BS-OD DN1/4" to DN2 1/2" DIN DN04 to DN50 Customized on request
Material medium contact	Stainless steel 1.4435 BN2 (316L), special materials e.g. Hastelloy 2.4602, Titanium, 1.4539 etc. on request
Material medium separated	1.4305 or equivalent
Glass	Borosilicate glass
Seals	O-Ring, EPDM, FEP (PTFE coated silicone O-Ring) Special seal material e.g. silicone, pure PTFE etc. on request
Surface quality	Medium contacted surface < Ra 0,8µm, electro polished, finer surface on request
Operating temperature	EPDM seal material: -40°C to 90°C, temporary to 140°C FEP seal material: -60°C to 160°C, temporary to 205°C
Ambient temperature	-20 to +80 °C
Media	Gases or liquids
Operating pressure	-1 up to +8 bar (higher pressure on request)
Applicable Standards	Pipe connection acc. to DIN 11866 ISO-Dimensions Series B (ISO 4200) DIN-Dimensions Series A (DIN 11850) BS-OD-Dimensions Series C (ASME BPE)
Certifications	Permissible stress for borosilicate glass in accordance with DIN EN 1595, Materials 3.1 (glass on request), FDA, USP VI

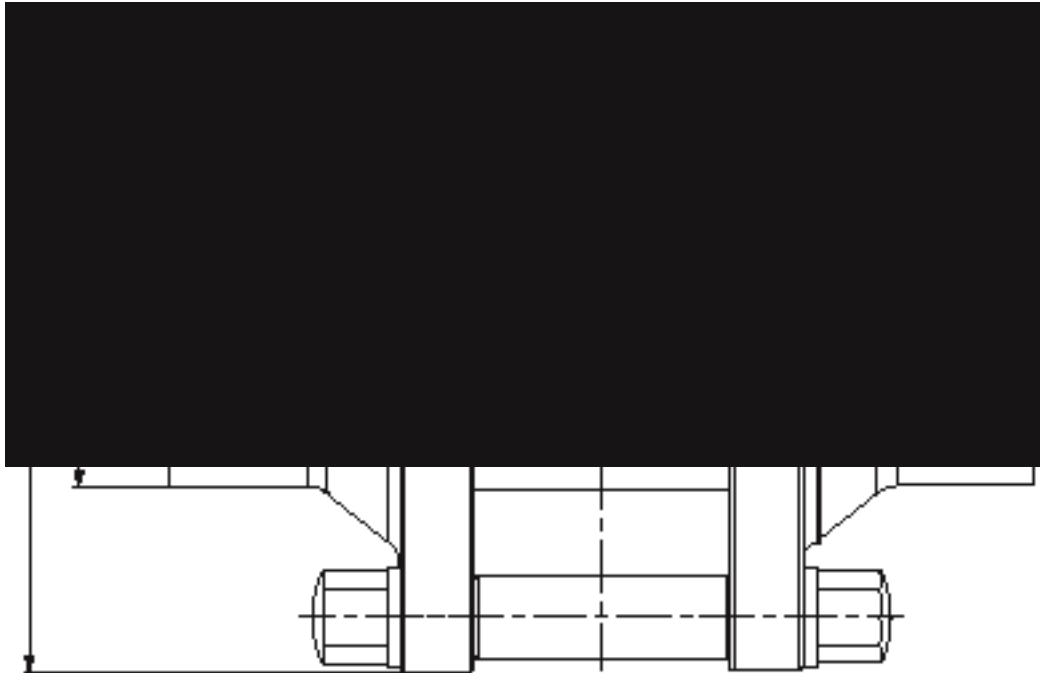
Dimension [mm] Inline flow indicator with weld end / full view version



Orifice	D [mm]	Da [mm]	Di [mm]	L [mm]	S [mm]	B [mm]	Item no. EPDM	
ISO Dimensions Inline flow indicator with weld end / full view version								
DN08	59,00	13,50	10,30	91,50	18,00	19,50	BBS-3F-HA.N08.Z00.35.0	(740 880)
DN10	59,00	17,20	14,00	98,00	18,00	26,40	BBS-3F-HA.N10.Z00.35.0	(740 886)
DN15	65,00	21,30	18,10	105,00	18,00	31,00	BBS-3F-HA.N15.Z00.35.0	(740 904)
DN20	73,00	26,90	23,70	111,00	18,00	32,00	BBS-3F-HA.N20.Z00.35.0	(740 910)
DN25	73,00	33,70	29,70	111,00	18,00	32,00	BBS-3F-HA.N25.Z00.35.0	(740 920)
DN32	90,00	42,40	38,40	125,00	18,00	20,60	BBS-3F-HA.N32.Z00.35.0	(740 926)
DN40	100,00	48,30	44,30	156,00	25,00	67,00	BBS-3F-HA.N40.Z00.35.0	(740 935)
DN50	110,00	60,30	56,30	171,00	18,00	80,00	BBS-3F-HA.N50.Z00.35.0	(740 944)
DN65	135,00	76,10	71,50	193,00	25,00	97,00	BBS-3F-HA.N65.Z00.35.0	(740 950)
DN80	145,00	88,90	84,30	187,00	20,00	97,00	BBS-3F-HA.N80.Z00.35.0	(740 959)
DN100	170,00	114,30	109,10	on request			BBS-3F-HA.N100.Z00.35.0	(740 892)
DN150	on request	168,3	163,10	on request			BBS-3F-HA.N150.Z00.35.0	(on request)

Orifice	D [mm]	Da [mm]	Di [mm]	L [mm]	S [mm]	B [mm]	Item no. FEP	
ISO Dimensions Inline flow indicator with weld end / full view version continued								
DN08	59,00	13,50	10,30	91,50	18,00	19,50	BBS-3F-HA.N08.Z00.35.3	(740 883)
DN10	59,00	17,20	14,00	98,00	18,00	26,40	BBS-3F-HA.N10.Z00.35.3	(740 889)
DN15	65,00	21,30	18,10	105,00	18,00	31,00	BBS-3F-HA.N15.Z00.35.3	(740 907)
DN20	73,00	26,90	23,70	111,00	18,00	32,00	BBS-3F-HA.N20.Z00.35.3	(740 913)
DN25	73,00	33,70	29,70	111,00	18,00	32,00	BBS-3F-HA.N25.Z00.35.3	(740 923)
DN32	90,00	42,40	38,40	125,00	18,00	20,60	BBS-3F-HA.N32.Z00.35.3	(740 929)
DN40	100,00	48,30	44,30	156,00	25,00	67,00	BBS-3F-HA.N40.Z00.35.3	(740 938)
DN50	110,00	60,30	56,30	171,00	18,00	80,00	BBS-3F-HA.N50.Z00.35.3	(740 947)
DN65	135,00	76,10	71,50	193,00	25,00	97,00	BBS-3F-HA.N65.Z00.35.3	(740 953)
DN80	145,00	88,90	84,30	187,00	20,00	97,00	BBS-3F-HA.N80.Z00.35.3	(740 962)
DN100	170,00	114,30	109,10	on request			BBS-3F-HA.N100.Z00.35.3	(740 895)
DN150	on request	168,3	163,10	on request			BBS-3F-HA.N150.Z00.35.3	(on request)

Dimension [mm] Inline flow indicator with weld end / full view version



Orifice	D [mm]	Da [mm]	Di [mm]	L [mm]	S [mm]	B [mm]	Item no. EPDM
BS-OD Dimensions Inline flow indicator with weld end / full view version							
DN1/4"	50,00	6,35	4,55	126,90	38,10	19,50	BBS-3F-HA.M02.BPE.35.0 (on request)
DN3/8"	50,00	9,53	7,75	128,80	38,10	19,50	BBS-3F-HA.M03. BPE.35.0 (on request)
DN1/2"	59,00	12,70	9,40	132,90	38,10	19,50	BBS-3F-HA.M05. BPE.35.0 (740 831)
DN3/4"	65,00	19,05	15,75	146,40	38,10	33,00	BBS-3F-HA.M07. BPE.35.0 (740 837)
DN1"	73,00	25,40	22,10	148,60	38,10	36,00	BBS-3F-HA.M10. BPE.35.0 (740 843)
DN1 1/2"	82,00	38,10	34,80	152,20	38,10	37,00	BBS-3F-HA.M15. BPE.35.0 (740 848)
DN2"	100,00	50,80	47,50	190,00	38,10	54,00	BBS-3F-HA.M20. BPE.35.0 (740 854)
DN2 1/2"	124,00	63,50	60,20	222,50	38,10	67,00	BBS-3F-HA.M25. BPE.35.0 (740 860)
DN3"	135,00	76,20	72,90	240,80	38,10	97,00	BBS-3F-HA.M30. BPE.35.0 (740 866)
DN4"	159,00	101,60	97,38	262,70	38,10	119,00	BBS-3F-HA.M40. BPE.35.0 (740 872)
DN4"	on request	152,40	146,86	on request			BBS-3F-HA.M60.BPE.35.0 (on request)

Orifice	D [mm]	Da [mm]	Di [mm]	L [mm]	S [mm]	B [mm]	Item no. FEP
BS-OD Dimensions Inline flow indicator with weld end / full view version continued							
DN1/4"	50,00	6,35	4,55	126,90	38,10	19,50	BBS-3F-HA.M02. BPE.35.3 (on request)
DN3/8"	50,00	9,53	7,75	128,80	38,10	19,50	BBS-3F-HA.M03. BPE.35.3 (on request)
DN1/2"	59,00	12,70	9,40	132,90	38,10	19,50	BBS-3F-HA.M05. BPE.35.3 (740 834)
DN3/4"	65,00	19,05	15,75	146,40	38,10	33,00	BBS-3F-HA.M07. BPE.35.3 (740 839)
DN1"	73,00	25,40	22,10	148,60	38,10	36,00	BBS-3F-HA.M10. BPE.35.3 (740 845)
DN1 1/2"	82,00	38,10	34,80	152,20	38,10	37,00	BBS-3F-HA.M15. BPE.35.3 (740 851)
DN2"	100,00	50,80	47,50	190,00	38,10	54,00	BBS-3F-HA.M20. BPE.35.3 (740 857)
DN2 1/2"	124,00	63,50	60,20	222,50	38,10	67,00	BBS-3F-HA.M25. BPE.35.3 (740 863)
DN3"	135,00	76,20	72,90	240,80	38,10	97,00	BBS-3F-HA.M30. BPE.35.3 (740 869)
DN4"	159,00	101,60	97,38	262,70	38,10	119,00	BBS-3F-HA.M40. BPE.35.3 (740 877)
DN4"	on request	152,40	146,86	on request			BBS-3F-HA.M60.BPE.35.3 (on request)

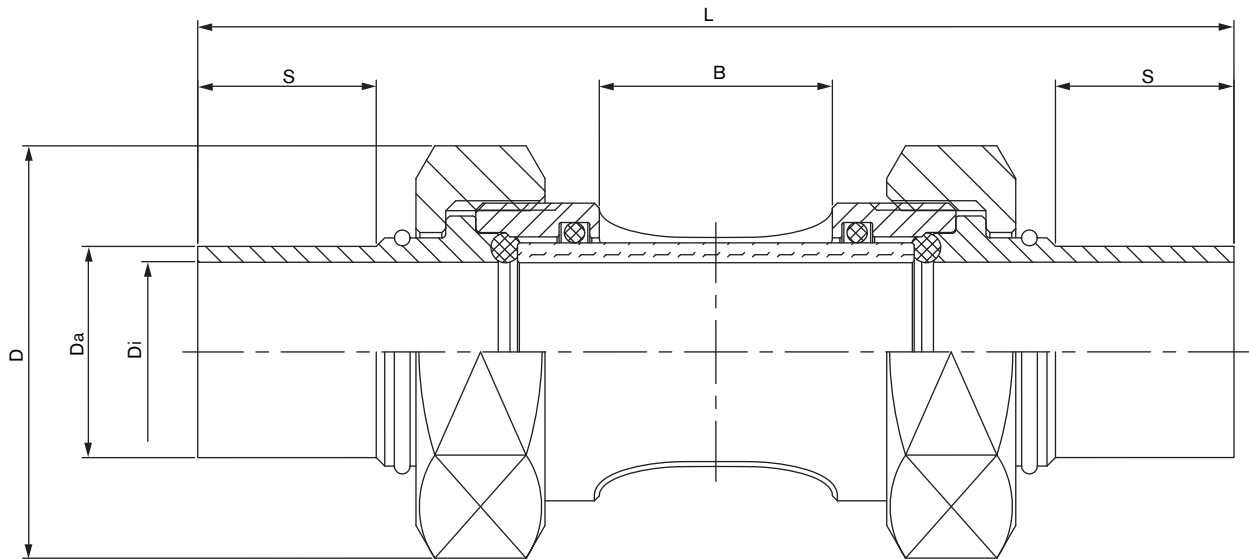
Dimension [mm] Inline flow indicator with weld end / full view version



Orifice	D [mm]	Da [mm]	Di [mm]	L [mm]	S [mm]	B [mm]	Item no. EPDM
DIN Dimensions Inline flow indicator with weld end / full view version							
DN04	on request	6,00	4,00	on request			BBS-3F-HA.D04.F00.35.0 (on request)
DN06	60,00	8,00	6,00	on request			BBS-3F-HA.D06.F00.35.0 (on request)
DN08	60,00	10,00	8,00	on request			BBS-3F-HA.D08.F00.35.0 (on request)
DN10	65,00	12,00	10,00	on request			BBS-3F-HA.D10.F00.35.0 (on request)
DN10	65,00	13,00	10,00	on request			BBS-3F-HA.D10.F00.35.0-1 (on request)
DN15	65,00	19,00	16,00	on request			BBS-3F-HA.D15.F00.35.0 (on request)
DN20	70,00	23,00	20,00	on request			BBS-3F-HA.D20.F00.35.0 (on request)
DN25	80,00	29,00	26,00	on request			BBS-3F-HA.D25.F00.35.0 (on request)
DN32	82,00	35,00	32,00	on request			BBS-3F-HA.D32.F00.35.0 (on request)
DN40	82,00	41,00	38,00	125,20	20,00	20,60	BBS-3F-HA.D40.F00.35.0 (743 688)
DN50	110,00	53,00	50,00	156,00	20,00	65,00	BBS-3F-HA.D50.F00.35.0 (on request)
DN65	124,00	70,00	66,00	158,00	20,00	67,00	BBS-3F-HA.D65.F00.35.0 (743 828)
DN80	145,00	85,00	81,00	on request			BBS-3F-HA.D80.F00.35.0 (on request)
DN100	160,00	104,00	100,00	on request			BBS-3F-HA.D100.F00.35.0 (on request)
DN150	on request	154,00	150,00	on request			BBS-3F-HA.D150.F00.35.0 (on request)

Orifice	D [mm]	Da [mm]	Di [mm]	L [mm]	S [mm]	B [mm]	Item no. FEP
DIN Dimensions Inline flow indicator with weld end / full view version continued							
DN04	on request	6,00	4,00	on request			BBS-3F-HA.D04.F00.35.3 (on request)
DN06	60,00	8,00	6,00	on request			BBS-3F-HA.D06.F00.35.3 (on request)
DN08	60,00	10,00	8,00	on request			BBS-3F-HA.D08.F00.35.3 (on request)
DN10	65,00	12,00	10,00	on request			BBS-3F-HA.D10.F00.35.3 (on request)
DN10	65,00	13,00	10,00	on request			BBS-3F-HA.D10.F00.35.3-1 (on request)
DN15	65,00	19,00	16,00	on request			BBS-3F-HA.D15.F00.35.3 (on request)
DN20	70,00	23,00	20,00	on request			BBS-3F-HA.D20.F00.35.3 (on request)
DN25	80,00	29,00	26,00	on request			BBS-3F-HA.D25.F00.35.3 (on request)
DN32	82,00	35,00	32,00	on request			BBS-3F-HA.D32.F00.35.3 (on request)
DN40	82,00	41,00	38,00	125,20	20,00	20,60	BBS-3F-HA.D40.F00.35.3 (on request)
DN50	110,00	53,00	50,00	156,00	20,00	65,00	BBS-3F-HA.D50.F00.35.3 (on request)
DN65	124,00	70,00	66,00	158,00	20,00	67,00	BBS-3F-HA.D65.F00.35.3 (on request)
DN80	145,00	85,00	81,00	on request			BBS-3F-HA.D80.F00.35.3 (on request)
DN100	160,00	104,00	100,00	on request			BBS-3F-HA.D100.F00.35.3 (on request)
DN150	on request	154,00	150,00	on request			BBS-3F-HA.D150.F00.35.3 (on request)

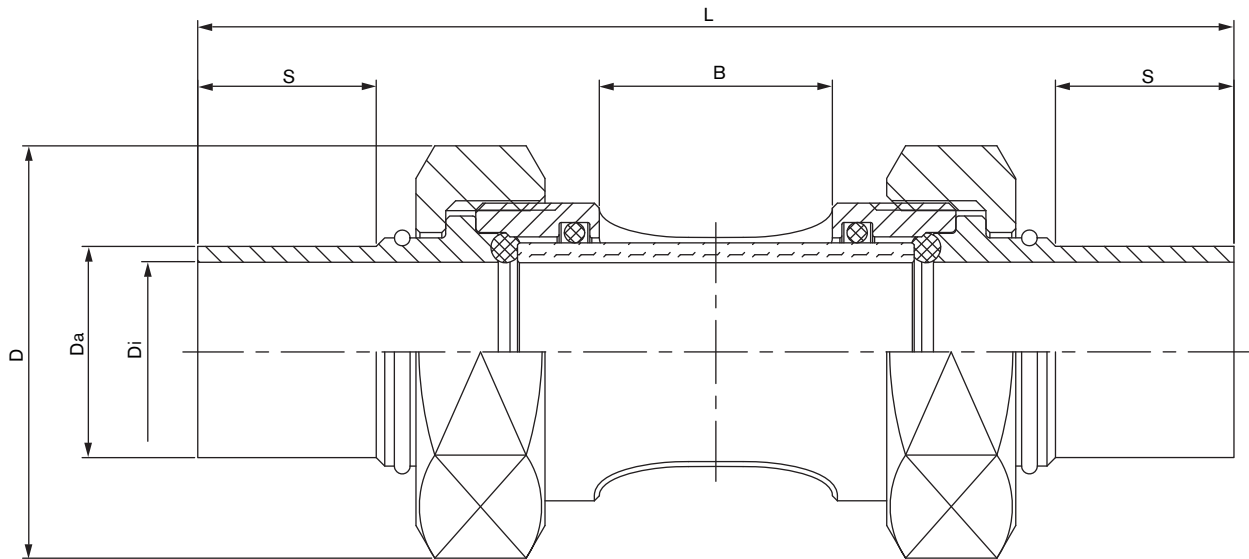
Dimension [mm] Inline flow indicator with weld end / standard



Orifice	D [mm]	Da [mm]	Di [mm]	L [mm]	S [mm]	B [mm]	Item no. EPDM	
ISO Dimensions Inline flow indicator with weld end / standard								
DN08	31,20	13,50	10,30	92,50	18,00	18,00	BBS-3F-RD.N08.N00.35.0	(741 249)
DN10	36,50	17,20	14,00	98,50	18,00	21,00	BBS-3F-RD.N10.N00.35.0	(741 257)
DN15	41,60	21,30	18,10	104,40	18,00	23,50	BBS-3F-RD.N15.N00.35.0	(741 266)
DN20	48,00	26,90	23,70	104,50	18,00	24,00	BBS-3F-RD.N20.N00.35.0	(741 275)
DN25	52,00	33,70	29,70	106,00	18,00	18,00	BBS-3F-RD.N25.N00.35.0	(741 285)
DN32	62,00	42,40	38,40	114,00	18,00	30,00	BBS-3F-RD.N32.N00.35.0	(741 294)
DN40	76,00	48,30	44,30	143,40	18,00	25,00	BBS-3F-RD.N40.N00.35.0	(741 302)
DN50	88,00	60,30	56,30	165,40	18,00	79,40	BBS-3F-RD.N50.N00.35.0	(741 309)

Orifice	D [mm]	Da [mm]	Di [mm]	L [mm]	S [mm]	B [mm]	Item no. FEP	
ISO Dimensions Inline flow indicator with weld end / standard continued								
DN08	31,20	13,50	10,30	92,50	18,00	18,00	BBS-3F-RD.N08.N00.35.3	(741 251)
DN10	36,50	17,20	14,00	98,50	18,00	21,00	BBS-3F-RD.N10.N00.35.3	(741 259)
DN15	41,60	21,30	18,10	104,40	18,00	23,50	BBS-3F-RD.N15.N00.35.3	(741 268)
DN20	48,00	26,90	23,70	104,50	18,00	24,00	BBS-3F-RD.N20.N00.35.3	(741 279)
DN25	52,00	33,70	29,70	106,00	18,00	18,00	BBS-3F-RD.N25.N00.35.3	(741 287)
DN32	62,00	42,40	38,40	114,00	18,00	30,00	BBS-3F-RD.N32.N00.35.3	(741 296)
DN40	76,00	48,30	44,30	143,40	18,00	25,00	BBS-3F-RD.N40.N00.35.3	(741 303)
DN50	88,00	60,30	56,30	165,40	18,00	79,40	BBS-3F-RD.N50.N00.35.3	(741 311)

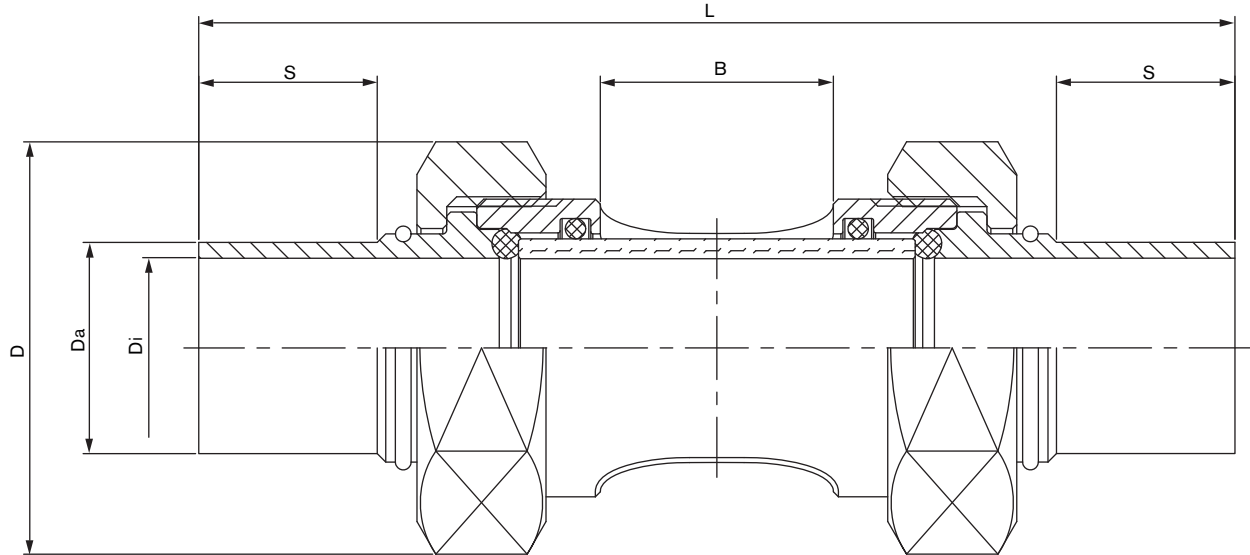
Dimension [mm] Inline flow indicator with weld end / standard



Orifice	D [mm]	Da [mm]	Di [mm]	L [mm]	S [mm]	B [mm]	Item no. EPDM
BS-OD Dimensions Inline flow indicator with weld end / standard							
DN1/4"	22,10	6,35	4,55	on request			BBS-3F-RB.K02.K00.35.0 (on request)
DN3/8"	24,50	9,53	7,75	100,70	25,40	21,00	BBS-3F-RB.K03.K00.35.0 (741 181)
DN1/2"	31,20	12,70	9,40	107,50	25,40	18,00	BBS-3F-RB.K05.K00.35.0 (730 000)
DN3/4"	36,50	19,05	15,75	120,30	25,40	20,00	BBS-3F-RB.K07.K00.35.0 (741 189)
DN1"	48,00	25,40	22,10	120,60	25,40	30,00	BBS-3F-RB.K10.K00.35.0 (741 193)
DN1 1/2"	62,00	38,10	34,80	121,20	25,40	32,00	BBS-3F-RB.K15.K00.35.0 (741 199)
DN2"	80,00	50,80	47,50	161,20	25,40	48,00	BBS-3F-RB.K20.K00.35.0 (741 203)
DN2 1/2"	88,00	63,50	60,20	165,40	25,40	79,40	BBS-3F-RB.K25.K00.35.0 (741 207)

Orifice	D [mm]	Da [mm]	Di [mm]	L [mm]	S [mm]	B [mm]	Item no. FEP
BS-OD Dimensions Inline flow indicator with weld end / standard continued							
DN1/4"	22,10	6,35	4,55	on request			BBS-3F-RB.K02.K00.35.3 (on request)
DN3/8"	24,50	9,53	7,75	100,70	25,40	21,00	BBS-3F-RB.K03.K00.35.3 (741 183)
DN1/2"	31,20	12,70	9,40	107,50	25,40	18,00	BBS-3F-RB.K05.K00.35.3 (741 187)
DN3/4"	36,50	19,05	15,75	120,30	25,40	20,00	BBS-3F-RB.K07.K00.35.3 (741 191)
DN1"	48,00	25,40	22,10	120,60	25,40	30,00	BBS-3F-RB.K10.K00.35.3 (741 195)
DN1 1/2"	62,00	38,10	34,80	121,20	25,40	32,00	BBS-3F-RB.K15.K00.35.3 (741 201)
DN2"	80,00	50,80	47,50	161,20	25,40	48,00	BBS-3F-RB.K20.K00.35.3 (741 205)
DN2 1/2"	88,00	63,50	60,20	165,40	25,40	79,40	BBS-3F-RB.K25.K00.35.3 (741 209)

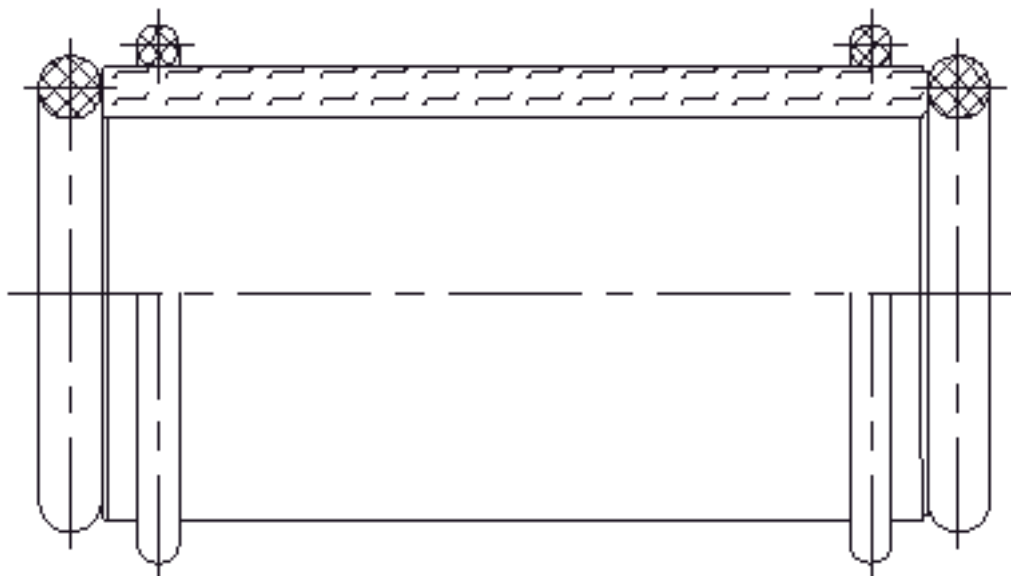
Dimension [mm] Inline flow indicator with weld end / standard



Orifice	D [mm]	Da [mm]	Di [mm]	L [mm]	S [mm]	B [mm]	Item no. EPDM
DIN Dimensions Inline flow indicator with weld end / standard							
DN04	on request	6,00	4,00	on request			BBS-3F-RD.D04.D00.35.0 (on request)
DN06	21,90	8,00	6,00	93,00	18,00	17,00	BBS-3F-RD.D06.D00.35.0 (741 217)
DN08	24,50	10,00	8,00	92,50	18,00	17,00	BBS-3F-RD.D08.D00.35.0 (741 219)
DN10	31,20	12,00	10,00	92,50	18,00	18,00	BBS-3F-RD.D10.D00.35.0 (741 221)
DN10	31,20	13,00	10,00	92,50	18,00	18,00	BBS-3F-RD.D10.D00.35.0-1 (741 221)
DN15	36,50	19,00	16,00	111,00	18,00	20,00	BBS-3F-RD.D15.D00.35.0 (741 224)
DN20	48,00	23,00	20,00	109,50	18,00	28,00	BBS-3F-RD.D20.D00.35.0 (741 228)
DN25	48,00	29,00	26,00	118,50	18,00	28,00	BBS-3F-RD.D25.D00.35.0 (741 232)
DN32	62,00	35,00	32,00	on request			BBS-3F-RD.D32.D00.35.0 (on request)
DN40	78,00	41,00	38,00	on request			BBS-3F-RD.D40.D00.35.0 (on request)
DN50	96,00	53,00	50,00	on request			BBS-3F-RD.D50.D00.35.0 (on request)

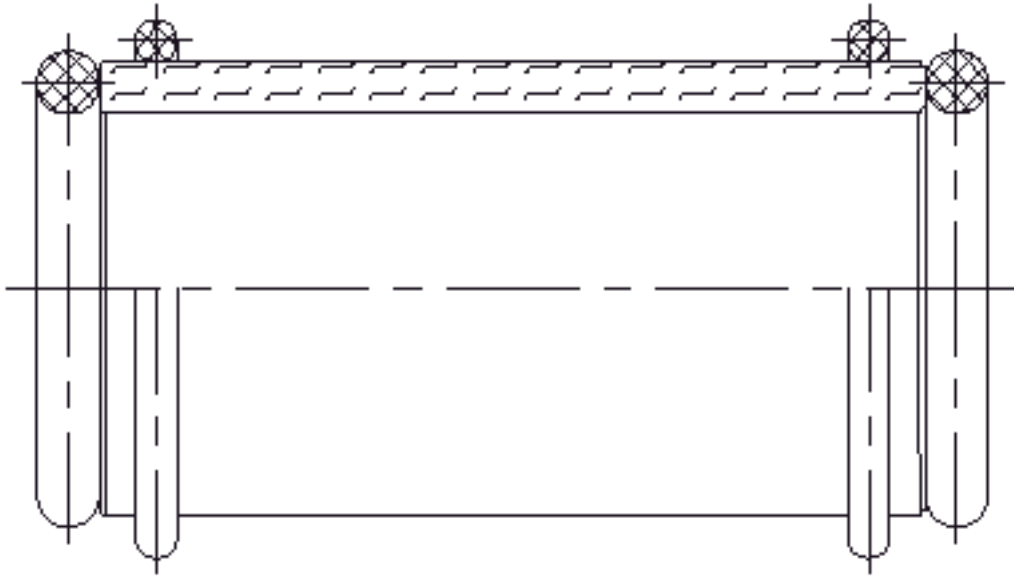
Orifice	D [mm]	Da [mm]	Di [mm]	L [mm]	S [mm]	B [mm]	Item no. FEP
DIN Dimensions Inline flow indicator with weld end / standard continued							
DN04	on request	6,00	4,00	on request			BBS-3F-RD.D04.D00.35.3 (on request)
DN06	21,90	8,00	6,00	93,00	18,00	17,00	BBS-3F-RD.D06.D00.35.3 (on request)
DN08	24,50	10,00	8,00	92,50	18,00	17,00	BBS-3F-RD.D08.D00.35.3 (on request)
DN10	31,20	12,00	10,00	92,50	18,00	18,00	BBS-3F-RD.D10.D00.35.3 (on request)
DN10	32,20	13,00	10,00	92,50	18,00	18,00	BBS-3F-RD.D10.D00.35.3-1 (on request)
DN15	36,50	19,00	16,00	111,00	18,00	20,00	BBS-3F-RD.D15.D00.35.3 (741 226)
DN20	48,00	23,00	20,00	109,50	18,00	28,00	BBS-3F-RD.D20.D00.35.3 (on request)
DN25	48,00	29,00	26,00	118,50	18,00	28,00	BBS-3F-RD.D25.D00.35.3 (741 234)
DN32	62,00	35,00	32,00	on request			BBS-3F-RD.D32.D00.35.3 (on request)
DN40	78,00	41,00	38,00	on request			BBS-3F-RD.D40.D00.35.3 (741 240)
DN50	96,00	53,00	50,00	on request			BBS-3F-RD.D50.D00.35.3 (741 244)

Spare parts kit for flow indicators



Orifice	Item no. EPDM		Item no. FEP	
ISO Spare parts kit (consisting of glass, O-Ring and support ring)				
DN08	BBS-3F-03.N08.BG.EP.0	(740 492)	BBS-3F-03.N08.BG.FE.3	(740 495)
DN10	BBS-3F-03.N10.BG.EP.0	(740 500)	BBS-3F-03.N10.BG.FE.3	(on request)
DN15	BBS-3F-03.N15.BG.EP.0	(740 515)	BBS-3F-03.N15.BG.FE.3	(740 518)
DN20	BBS-3F-03.N20.BG.EP.0	(740 527)	BBS-3F-03.N20.BG.FE.3	(740 530)
DN25	BBS-3F-03.N25.BG.EP.0	(740 539)	BBS-3F-03.N25.BG.FE.3	(740 542)
DN32	BBS-3F-03.N32.BG.EP.0	(740 552)	BBS-3F-03.N32.BG.FE.3	(740 555)
DN40	BBS-3F-03.N40.BG.EP.0	(740 561)	BBS-3F-03.N40.BG.FE.3	(740 564)
DN50	BBS-3F-03.N50.BG.EP.0	(740 573)	BBS-3F-03.N50.BG.FE.3	(740 575)
DN65	BBS-3F-03.N65.BG.EP.0	(on request)	BBS-3F-03.N65.BG.FE.3	(on request)
DN80	BBS-3F-03.N80.BG.EP.0	(740 581)	BBS-3F-03.N80.BG.FE.3	(on request)
DN100	BBS-3F-03.N100.BG.EP.0	(on request)	BBS-3F-03.N100.BG.FE.3	(on request)
DN150	BBS-3F-03.N150.BG.EP.0	(on request)	BBS-3F-03.N150.BG.FE.3	(on request)

Spare parts kit for flow indicators



Orifice	Item no. EPDM		Item no. FEP	
DIN Spare parts kit (consisting of glass, O-Ring and support ring)				
DN04	BBS-3F-03.D04.BG.EP.0	(on request)	BBS-3F-03.D04.BG.FE.3	(on request)
DN06	BBS-3F-03.D06.BG.EP.0	(740 312)	BBS-3F-03.D06.BG.FE.3	(on request)
DN08	BBS-3F-03.D08.BG.EP.0	(740 316)	BBS-3F-03.D08.BG.FE.3	(on request)
DN10	BBS-3F-03.D10.BG.EP.0	(on request)	BBS-3F-03.D10.BG.FE.3	(on request)
DN15	BBS-3F-03.D15.BG.EP.0	(on request)	BBS-3F-03.D15.BG.FE.3	(on request)
DN20	BBS-3F-03.D20.BG.EP.0	(on request)	BBS-3F-03.D20.BG.FE.3	(on request)
DN25	BBS-3F-03.D25.BG.EP.0	(on request)	BBS-3F-03.D25.BG.FE.3	(on request)
DN32	BBS-3F-03.D32.BG.EP.0	(on request)	BBS-3F-03.D32.BG.FE.3	(on request)
DN40	BBS-3F-03.D40.BG.EP.0	(on request)	BBS-3F-03.D40.BG.FE.3	(on request)
DN50	BBS-3F-03.D50.BG.EP.0	(740 334)	BBS-3F-03.D50.BG.FE.3	(on request)
DN65	BBS-3F-03.D65.BG.EP.0	(on request)	BBS-3F-03.D65.BG.FE.3	(on request)
DN80	BBS-3F-03.D80.BG.EP.0	(on request)	BBS-3F-03.D80.BG.FE.3	(on request)
DN100	BBS-3F-03.D100.BG.EP.0	(on request)	BBS-3F-03.D100.BG.FE.3	(on request)
DN150	BBS-3F-03.D150.BG.EP.0	(on request)	BBS-3F-03.D150.BG.FE.3	(on request)

Orifice	Item no. EPDM		Item no. FEP	
BS-OD Spare parts kit (consisting of glass, O-Ring and support ring)				
DN1/4"	BBS-3F-03.K02.BG.EP.0	(on request)	BBS-3F-03.K02.BG.FE.3	(on request)
DN3/8"	BBS-3F-03.K03.BG.EP.0	(on request)	BBS-3F-03.K03.BG.FE.3	(on request)
DN1/2"	BBS-3F-03.K05.BG.EP.0	(740 347)	BBS-3F-03.K05.BG.FE.3	(740 350)
DN3/4"	BBS-3F-03.K07.BG.EP.0	(740 365)	BBS-3F-03.K07.BG.FE.3	(740 368)
DN1"	BBS-3F-03.K10.BG.EP.0	(740 381)	BBS-3F-03.K10.BG.FE.3	(740 384)
DN1 1/2"	BBS-3F-03.K15.BG.EP.0	(740 393)	BBS-3F-03.K15.BG.FE.3	(740 396)
DN2"	BBS-3F-03.K20.BG.EP.0	(740 417)	BBS-3F-03.K20.BG.FE.3	(740 420)
DN2 1/2"	BBS-3F-03.K25.BG.EP.0	(740 433)	BBS-3F-03.K25.BG.FE.3	(740 436)
DN3"	BBS-3F-03.K30.BG.EP.0	(740 446)	BBS-3F-03.K30.BG.FE.3	(740 449)
DN4"	BBS-3F-03.K40.BG.EP.0	(740 458)	BBS-3F-03.K40.BG.FE.3	(740 461)
DN6"	BBS-3F-03.K60.BG.EP.0	(740 467)	BBS-3F-03.K60.BG.FE.3	(740 470)