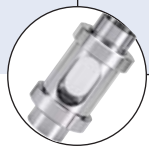


Clamp ferrule

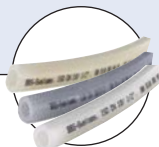


Hygienic Processing components....

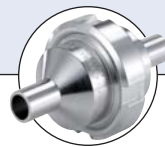
- According to standard norms and dimensions
- All medium contact materials traceable, traceable seal on request
- Component of the BBS modular system



Type BBS-3F
Flow indicator



Type BBS-04
Silicone hose



Type BBS-10
Check valve



Type BBS-03
Sterile threaded connection



Type BBS-05
Quick connect



Type 2103
Diaphragm valve

The BBS-25 Clamp ferrules, gaskets and clamps are compatible with all standard market equipment.

For increased process security we recommend to see our data sheets for the BBS-05 Sterile Quick Connect.

Applications

- Biotechnology
- Pharmaceutical
- Chemical industry
- Dairy
- Food
- Cosmetic

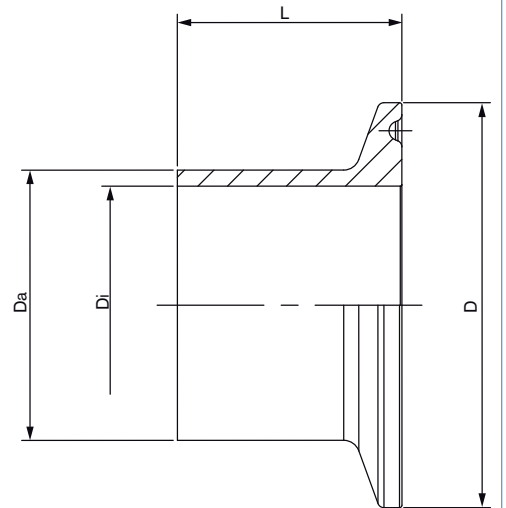
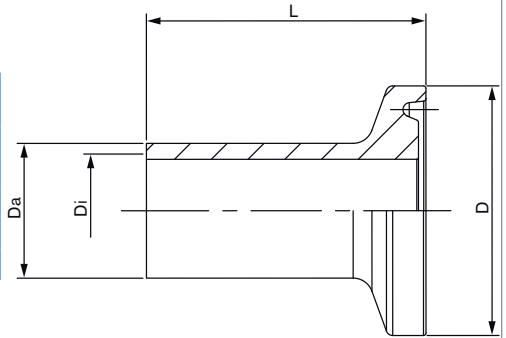
Technical data

Available standard sizes	ISO DN08 to DN150 DIN DN04 to DIN150 BS-OD DN 1/4" to DN 8" SMS DN 06 to DN100
Material medium contact	Stainless steel 1.4435 BN2 (316L) Special materials e.g. Hastelloy 2.4602, Titanium, 1.4539 etc. on request
Material medium separated	1.4305 or equivalent
Seals	O-Ring, EPDM, FEP, special sealing materials e.g. Silicone, pure PTFE etc. on request
Surface quality	Medium contacted surface < Ra 0,8µm, electro polished, finer surface on request
Ambient temperature	-20 to +80 °C
Media	Gases or liquids
Operating pressure	ISO DN08 to DN32 = 25bar ISO DN40 to DN65 = 16bar ISO DN80 to DN150 = 10bar DIN DN04 to DN40 = 25bar DIN DN50 to DN65 = 16bar DIN DN80 to DN150 = 10bar BS-OD DN1/4" to DN1 1/2" = 25bar BS-OD DN2" to DN3" = 16bar BS-OD DN4" to DN8" = 10bar SMS DN06 to DN40 = 25bar SMS DN50 to DN65 = 16bar SMS DN80 to DN100 = 10bar
Applicable standards	Acc. to DIN 32676 ISO dimensions series B DIN dimensions series A BS-OD dimensions series C (ASME BPE 2009) SMS dimensions SMS 3008
Certifications	Material 3.1, FDA, USP VI

Dimensions [mm] Clamp ferrule

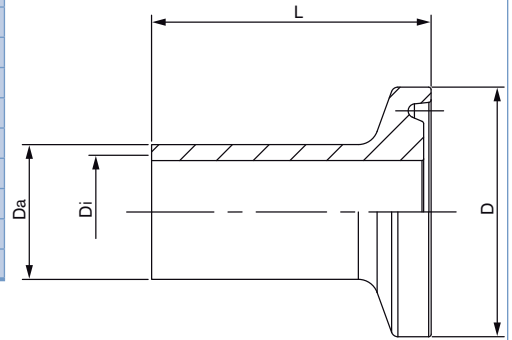
Orifice	D [mm]	Da [mm]	Di [mm]	L [mm]	Item no.	
ISO Dimensions Clamp ferrule (up to clamp diameter DM 25)						
DN08	25.00	13.50	10.30	28.00	BBS-25-A1.B08.B00.35.0	(736 995)
DN08	25.00	13.50	10.30	21.60	BBS-25-A0.B08.B00.35.0	(736 855)
DN10	25.00	17.20	14.00	28.00	BBS-25-A1.B10.B00.35.0	(737 026)
DN10	25.00	17.20	14.00	21.60	BBS-25-A0.B10.B00.35.0	(736 859)

Orifice	D [mm]	Da [mm]	Di [mm]	L [mm]	Item no.	
ISO Dimensions Clamp ferrule (from clamp diameter DM 50.5)						
DN15	50.50	21.30	18.10	28.00	BBS-25-A1.B15.B00.35.0	(737 058)
DN15	50.50	21.30	18.10	21.60	BBS-25-A0.B15.B00.35.0	(736 863)
DN20	50.50	26.90	23.70	28.00	BBS-25-A1.B20.B00.35.0	(737 076)
DN20	50.50	26.90	23.70	21.60	BBS-25-A0.B20.B00.35.0	(736 871)
DN25	50.50	33.70	29.70	28.00	BBS-25-A1.B25.B00.35.0	(737 111)
DN25	50.50	33.70	29.70	21.60	BBS-25-A0.B25.B00.35.0	(736 875)
DN32	64.00	42.40	38.40	28.00	BBS-25-A1.B32.B00.35.0	(737 143)
DN32	64.00	42.40	38.40	21.60	BBS-25-A0.B32.B00.35.0	(736 883)
DN40	64.00	48.30	44.30	28.00	BBS-25-A1.B40.B00.35.0	(737 170)
DN40	64.00	48.30	44.30	21.60	BBS-25-A0.B40.B00.35.0	(736 890)
DN50	77.50	60.30	56.30	28.00	BBS-25-A1.B50.B00.35.0	(737 193)
DN50	77.50	60.30	56.30	21.60	BBS-25-A0.B50.B00.35.0	(736 898)
DN65	91.00	76.10	72.10	28.00	BBS-25-A1.B65.B00.35.0	(737 217)
DN65	91.00	76.10	72.10	21.60	BBS-25-A0.B65.B00.35.0	(736 902)
DN80	106.00	88.90	84.30	28.00	BBS-25-A1.B80.B00.35.0	(737 226)
DN80	106.00	88.90	84.30	21.60	BBS-25-A0.B80.B00.35.0	(736 906)
DN100	130.00	88.90	84.30	28.00	BBS-25-A1.B100.B00.35.0	(737 042)
DN100	130.00	114.30	109.70	21.60	BBS-25-A0.B100.B00.35.0	(on request)
DN150	183.00	168.30	163.10	30.00	BBS-25-A1.B150.B00.35.0	(on request)

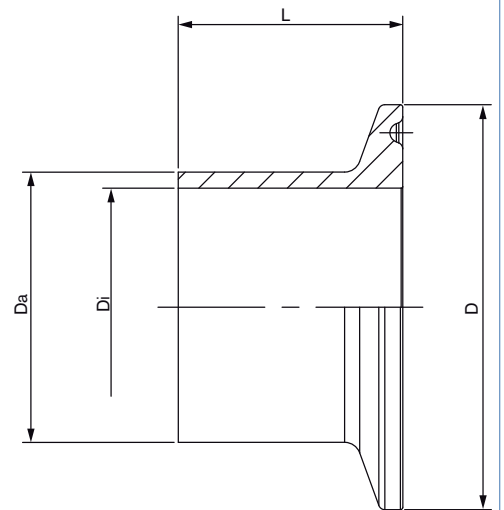


Dimensions [mm] Clamp ferrule

Orifice	D [mm]	Da [mm]	Di [mm]	L [mm]	Item no.	
DIN Dimensions Clamp ferrule (up to clamp diameter DM 25)						
DN04	25.00	6.00	4.00	28.00	BBS-25-A1.A04.A00.35.0	(on request)
DN04	25.00	6.00	4.00	21.60	BBS-25-A0.A04.A00.35.0	(736 840)
DN06	25.00	8.00	6.00	28.00	BBS-25-A1.A06.A00.35.0	(742 809)
DN06	25.00	8.00	6.00	21.60	BBS-25-A0.A06.A00.35.0	(736 843)
DN08	25.00	10.00	8.00	28.00	BBS-25-A1.A08.A00.35.0	(736 976)
DN08	25.00	10.00	8.00	21.60	BBS-25-A0.A08.A00.35.0	(736 847)
DN10	25.00	12.00	10.00	28.00	BBS-25-A1.A10.A00.35.0	(736 983)
DN10	25.00	12.00	10.00	21.60	BBS-25-A0.A10.A00.35.0	(736 851)
DN10	25.00	13.00	10.00	28.00	BBS-25-A1.A10.A00.35.0-1	(743 417)
DN10	25.00	13.00	10.00	21.60	BBS-25-A0.A10.A00.35.0-1	(on request)
DN15	25.00	19.00	16.00	28.00	BBS-25-A1.A15.SP1.35.0	(on request)
DN15	25.00	19.00	16.00	21.60	BBS-25-A0.A15.SP1.35.0	(on request)

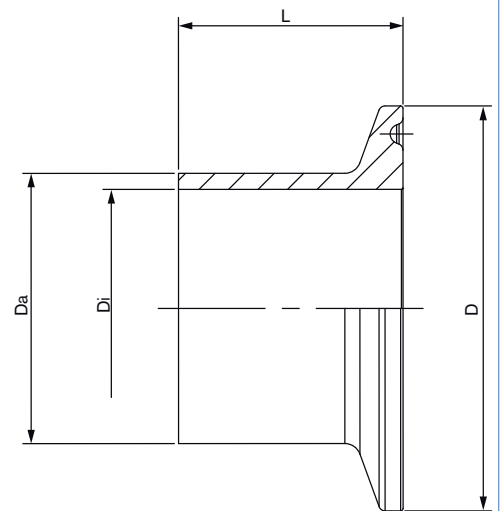
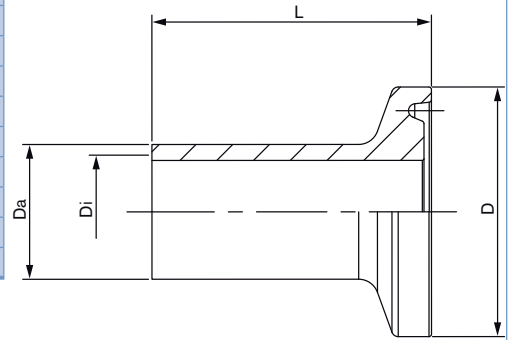


Orifice	D [mm]	Da [mm]	Di [mm]	L [mm]	Item no.	
DIN Dimensions Clamp ferrule (from clamp diameter DM 34)						
DN10	34.00	12.00	10.00	28.00	BBS-25-A1.A10.SP3.35.0	(on request)
DN10	34.00	12.00	10.00	21.60	BBS-25-A0.A10.SP3.35.0	(on request)
DN10	34.00	13.00	10.00	28.00	BBS-25-A1.A10.SP2.35.0	(on request)
DN10	34.00	13.00	10.00	21.60	BBS-25-A0.A10.SP2.35.0	(on request)
DN15	34.00	19.00	16.00	28.00	BBS-25-A1.A15.SP2.35.0	(743 969)
DN15	34.00	19.00	16.00	21.60	BBS-25-A0.A15.SP2.35.0	(on request)
DN15	50.50	19.00	16.00	28.00	BBS-25-A1.A15.A00.35.0	(742 808)
DN15	50.50	19.00	16.00	21.60	BBS-25-A0.A15.A00.35.0	(on request)
DN20	34.00	23.00	20.00	28.00	BBS-25.A1.A20.SP2.35.0	(742 982)
DN20	34.00	23.00	20.00	21.60	BBS-25.A0.A20.SP2.35.0	(on request)
DN20	50.50	23.00	20.00	28.00	BBS-25.A1.A20.A00.35.0	(737 543)
DN20	50.50	23.00	20.00	21.60	BBS-25.A0.A20.A00.35.0	(on request)
DN25	50.50	29.00	26.00	28.00	BBS-25.A1.A25.A00.35.0	(742 983)
DN25	50.50	29.00	26.00	21.60	BBS-25.A0.A25.A00.35.0	(on request)
DN32	50.50	35.00	32.00	28.00	BBS-25.A1.A32.A00.35.0	(743 658)
DN32	50.50	35.00	32.00	21.60	BBS-25.A0.A32.A00.35.0	(on request)
DN40	50.50	41.00	38.00	28.00	BBS-25.A1.A40.A00.35.0	(742 984)
DN40	50.50	41.00	38.00	21.60	BBS-25.A0.A40.A00.35.0	(on request)
DN50	64.00	53.00	50.00	28.00	BBS-25.A1.A50.A00.35.0	(736 987)
DN50	64.00	53.00	50.00	21.60	BBS-25.A0.A50.A00.35.0	(on request)
DN65	91.00	70.00	66.00	28.00	BBS-25.A1.A65.A00.35.0	(on request)
DN65	91.00	70.00	66.00	21.60	BBS-25.A0.A65.A00.35.0	(on request)
DN80	106.00	85.00	81.00	28.00	BBS-25.A1.A80.A00.35.0	(on request)
DN80	106.00	85.00	81.00	21.60	BBS-25.A0.A80.A00.35.0	(on request)
DN100	119.00	104.00	100.00	28.00	BBS-25.A1.A100.A00.35.0	(on request)
DN100	119.00	104.00	100.00	21.60	BBS-25.A0.A100.A00.35.0	(on request)
DN125	155.00	129.00	125.00	28.00	BBS-25.AA.A125.A00.35.0	(on request)
DN150	183.00	154.00	150.00	30.00	BBS-25.A1.A150.A00.35.0	(on request)



Dimensions [mm] Clamp ferrule

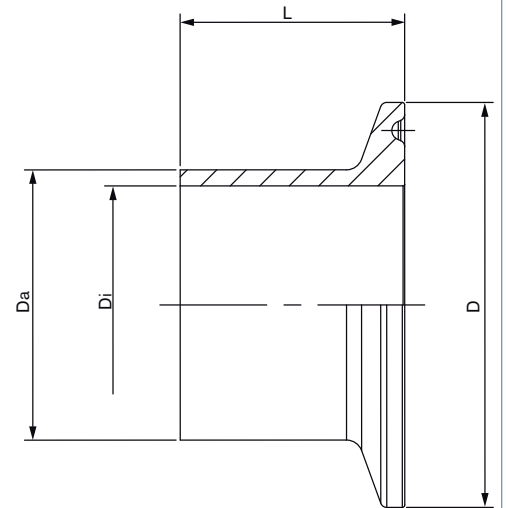
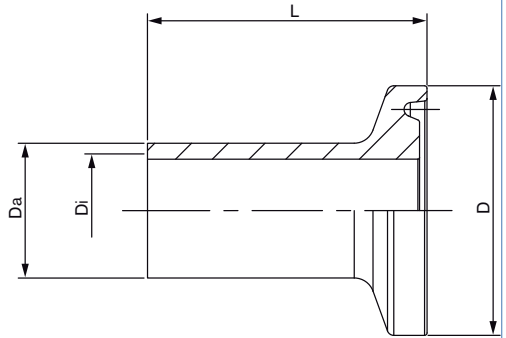
Orifice	D [mm]	Da [mm]	Di [mm]	L [mm]	Item no.
BS-OD Dimensions Clamp ferrule (up to clamp diameter DM 25)					
DN1/4"	25.00	6.35	4.57	28.00	BBS-25-A1.C02.C00.35.0 (737 234)
DN1/4"	25.00	6.35	4.57	21.60	BBS-25-A0.C02.C00.35.0 (on request)
DN1/4"	25.00	6.35	4.57	12.70	BBS-25-A1.C02.BU2.35.0 (743 049)
DN3/8"	25.00	9.53	7.75	28.00	BBS-25-A1.C03.C00.35.0 (737 238)
DN3/8"	25.00	9.53	7.75	21.60	BBS-25-A0.C03.C00.35.0 (736 910)
DN3/8"	25.00	9.53	7.75	12.70	BBS-25-A1.C03.BU1.35.0 (742 939)
DN1/2"	25.00	12.70	9.40	28.00	BBS-25-A1.C05.C00.35.0 (737 258)
DN1/2"	25.00	12.70	9.40	21.60	BBS-25-A0.C05.C00.35.0 (736 914)
DN1/2"	25.00	12.70	9.40	12.70	BBS-25-A1.C05.BU4.35.0 (742 940)
DN3/4"	25.00	19.05	15.75	28.00	BBS-25-A1.C07.C00.35.0 (737 292)
DN3/4"	25.00	19.05	15.75	21.60	BBS-25-A0.C07.C00.35.0 (736 922)
DN3/4"	25.00	19.05	15.75	12.70	BBS-25-A1.C07.BU3.35.0 (742 941)
BS-OD Dimensions Clamp ferrule (from clamp diameter DM 50.5)					
DN1"	50.50	25.40	22.10	28.00	BBS-25-A1.C10.C00.35.0 (737 315)
DN1"	50.50	25.40	22.10	21.60	BBS-25-A0.C10.C00.35.0 (736 926)
DN1"	50.50	25.40	22.10	12.70	BBS-25-A1.C10.BU3.35.0 (742 942)
DN1 1/2"	50.50	38.10	34.80	28.00	BBS-25-A1.C15.C00.35.0 (737 355)
DN1 1/2"	50.50	38.10	34.80	21.60	BBS-25-A0.C15.C00.35.0 (736 930)
DN1 1/2"	50.50	38.10	34.80	12.70	BBS-25-A1.C15.BU2.35.0 (742 943)
DN2"	64.00	50.80	47.50	28.00	BBS-25-A1.C20.C00.35.0 (737 379)
DN2"	64.00	50.80	47.50	21.60	BBS-25-A0.C20.B00.35.0 (736 934)
DN2"	64.00	50.80	47.50	12.70	BBS-25-A1.C20.BU1.35.0 (742 944)
DN2 1/2"	77.50	63.50	60.20	28.00	BBS-25-A1.C25.C00.35.0 (737 404)
DN2 1/2"	77.50	63.50	60.20	21.60	BBS-25-A0.C25.C00.35.0 (on request)
DN2 1/2"	77.50	63.50	60.20	12.70	BBS-25-A1.C25.BU1.35.0 (742 945)
DN3"	91.00	76.20	72.90	28.00	BBS-25-A1.C30.C00.35.0 (737 412)
DN3"	91.00	76.20	72.90	21.60	BBS-25-A0.C30.C00.35.0 (on request)
DN3"	91.00	76.20	72.90	12.70	BBS-25-A1.C30.BU1.35.0 (742 946)
DN4"	119.00	101.60	97.40	28.00	BBS-25-A1.C40.C00.35.0 (737 429)
DN4"	119.00	101.60	97.40	21.60	BBS-25-A0.C40.C00.35.0 (on request)
DN4"	119.00	101.60	97.40	15.90	BBS-25-A1.C40.BU1.35.0 (742 947)
DN6"	167.00	152.40	146.86	28.00	BBS-25-A1.C60.C00.35.0 (737 433)
DN6"	167.00	152.40	146.86	21.60	BBS-25-A0.C60.C00.35.0 (736 936)
DN6"	167.00	152.40	146.86	15.90	(on request) (on request)
DN8"	217.50	203.20	197.67	28.00	BBS-25-A1.C80.C00.35.0 (737 440)
DN8"	217.50	203.20	197.67	21.60	BBS-25-A0.C80.C00.35.0 (on request)



Dimensions [mm] Clamp ferrule

Orifice	D [mm]	Da [mm]	Di [mm]	L [mm]	Item no.	
SMS Dimensions Clamp ferrule (up to clamp diameter DM 25)						
DN06	25.00	8.00	6.00	28.00	BBS-25-A1.A06.A00.35.0	(742 809)
DN06	25.00	8.00	6.00	21.60	BBS-25-A0.A06.A00.35.0	(736 843)
DN08	25.00	10.00	8.00	28.00	BBS-25-A1.A08.A00.35.0	(736 976)
DN08	25.00	10.00	8.00	21.60	BBS-25-A0.A08.A00.35.0	(736 847)
DN10	25.00	12.00	10.00	28.00	BBS-25-A1.A10.A00.35.0	(736 983)
DN10	25.00	12.00	10.00	21.60	BBS-25-A0.A10.A00.35.0	(736 851)

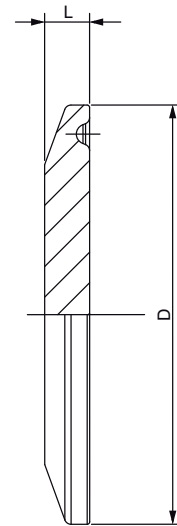
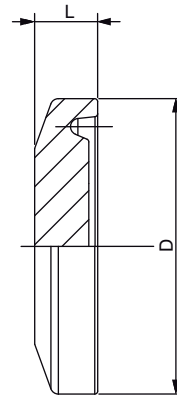
Orifice	D [mm]	Da [mm]	Di [mm]	L [mm]	Item no.	
SMS Dimensions Clamp ferrule (from clamp diameter DM 50.5)						
DN15	50.50	18.00	16.00	28.00	BBS-25-A1.J15.J00.35.0	(737 618)
DN15	50.50	18.00	16.00	21.60	BBS-25-A0.J15.J00.35.0	(on request)
DN20	50.50	22.00	20.00	28.00	BBS-25.A1.J20.J00.35.0	(737 626)
DN20	50.50	22.00	20.00	21.60	BBS-25.A0.J20.J00.35.0	(on request)
DN25	50.50	25.00	22.60	28.00	BBS-25.A1.J25.J00.35.0	(737 635)
DN25	50.50	25.00	22.60	21.60	BBS-25.A0.J25.J00.35.0	(on request)
DN32	64.00	32.00	29.60	28.00	BBS-25.A1.J32.J00.35.0	(737 643)
DN32	64.00	32.00	29.60	21.60	BBS-25.A0.J32.J00.35.0	(on request)
DN40	64.00	38.00	35.60	28.00	BBS-25.A1.J40.J00.35.0	(737 651)
DN40	64.00	38.00	35.60	21.60	BBS-25.A0.J40.J00.35.0	(on request)
DN50	77.50	51.00	48.60	28.00	BBS-25.A1.J50.J00.35.0	(737 668)
DN50	77.50	51.00	48.60	21.60	BBS-25.A0.J50.J00.35.0	(on request)
DN65	91.00	63.50	60.30	28.00	BBS-25.A1.J65.J00.35.0	(737 676)
DN65	91.00	63.50	60.30	21.60	BBS-25.A0.J65.J00.35.0	(on request)
DN80	106.00	76.10	72.90	28.00	BBS-25.A1.J80.J00.35.0	(737 684)
DN80	106.00	76.10	72.90	21.60	BBS-25.A0.J80.J00.35.0	(on request)
DN100	119.00	101.60	97.60	28.00	BBS-25.A1.J100.J00.35.0	(on request)
DN100	119.00	101.60	97.60	21.60	BBS-25.A0.J100.J00.35.0	(on request)



Dimensions [mm] Clamp ferrule blind cover

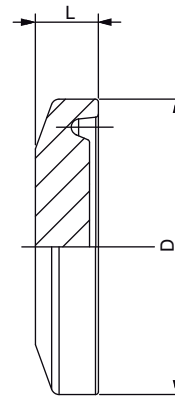
Orifice	D [mm]	L [mm]	Item no.	
ISO Dimensions Clamp ferrule blind cover (up to clamp diameter DM 25)				
DN08	25.00	6.70	BBS-25-G0.B08.B00.35.0	(738 019)
DN10	25.00	6.70	BBS-25-G0.B08.B00.35.0	(738 019)

Orifice	D [mm]	L [mm]	Item no.	
ISO Dimensions Clamp ferrule (from clamp diameter DM 50.5)				
DN15	50.50	6.50	BBS-25-G0.B25.B00.35.0	(738 052)
DN20	50.50	6.50	BBS-25-G0.B25.B00.35.0	(738 052)
DN25	50.50	6.50	BBS-25-G0.B25.B00.35.0	(738 052)
DN32	64.00	6.50	BBS-25.G0.B40.B00.35.0	(738 064)
DN40	64.00	6.50	BBS-25.G0.B40.B00.35.0	(738 064)
DN50	77.50	6.50	BBS-25.G0.B50.B00.35.0	(738 068)
DN65	91.00	6.50	BBS-25.G0.B65.B00.35.0	(738 072)
DN80	106.00	6.50	BBS-25.G0.B80.B00.35.0	(737 072)
DN100	130.00	12.00	BBS-25.G0.B100.B00.35.0	(738 027)
DN150	183.00	12.00	BBS-25.G0.B150.B00.35.0	(738 035)

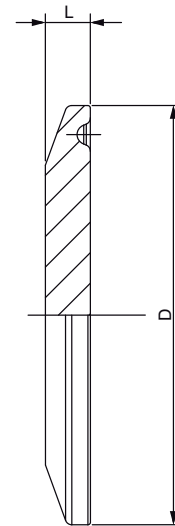


Dimensions [mm] Clamp ferrule blind cover

Orifice	D [mm]	L [mm]	Item no.	
DIN Dimensions Clamp ferrule blind cover (up to clamp diameter DM 25)				
DN04	25.00	6.70	BBS-25-G0.B08.B00.35.0	(738 019)
DN06	25.00	6.70	BBS-25-G0.B08.B00.35.0	(738 019)
DN08	25.00	6.70	BBS-25-G0.B08.B00.35.0	(738 019)
DN10	25.00	6.70	BBS-25-G0.B08.B00.35.0	(738 019)
DN15	25.00	6.70	BBS-25-G0.B08.B00.35.0	(738 019)

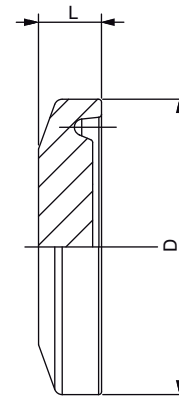


Orifice	D [mm]	L [mm]	Item no.	
DIN Dimensions Clamp ferrule (from clamp diameter DM 34)				
DN10	34.00	5.00	BBS-25-G0.B10.B00.35.0	(738 023)
DN15	34.00	5.00	BBS-25-G0.B10.B00.35.0	(738 023)
DN15	50.50	6.50	BBS-25-G0.B25.B00.35.0	(738 052)
DN20	34.00	5.00	BBS-25-G0.B10.B00.35.0	(738 023)
DN20	50.50	6.50	BBS-25-G0.B25.B00.35.0	(738 052)
DN25	50.50	6.50	BBS-25-G0.B25.B00.35.0	(738 052)
DN32	50.50	6.50	BBS-25-G0.B25.B00.35.0	(738 052)
DN40	50.50	6.50	BBS-25-G0.B25.B00.35.0	(738 052)
DN50	64.00	6.50	BBS-25-G0.B40.B00.35.0	(738 064)
DN65	91.00	6.50	BBS-25-G0.B65.B00.35.0	(738 072)
DN80	106.00	6.50	BBS-25-G0.B80.B00.35.0	(737 072)
DN100	119.00	10.00	BBS-25-G0.C40.C00.35.0	(738 104)
DN150	183.00	12.00	BBS-25-G0.B150.B00.35.0	(738 035)

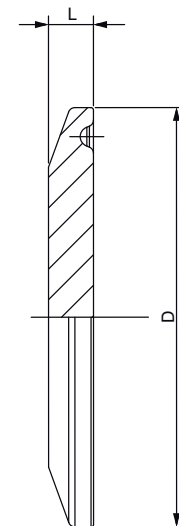


Dimensions [mm] Clamp ferrule blind cover

Orifice	D [mm]	L [mm]	Item no.	
BS-OD Dimensions Clamp ferrule blind cover (up to clamp diameter DM 25)				
DN1/4"	25.00	6.70	BBS-25-G0.B08.B00.35.0	(738 019)
DN3/8"	25.00	6.70	BBS-25-G0.B08.B00.35.0	(738 019)
DN1/2"	25.00	6.70	BBS-25-G0.B08.B00.35.0	(738 019)
DN3/4"	25.00	6.70	BBS-25-G0.B08.B00.35.0	(738 019)



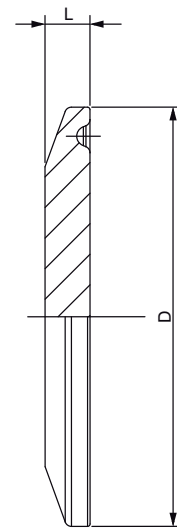
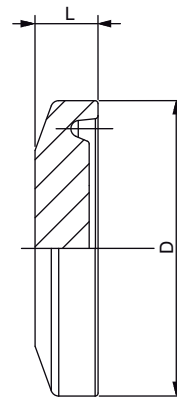
Orifice	D [mm]	L [mm]	Item no.	
BS-OD Dimensions Clamp ferrule (from clamp diameter DM 50.5)				
DN1"	50.50	6.50	BBS-25-G0.B25.B00.35.0	(738 052)
DN1 1/2"	50.50	6.50	BBS-25-G0.B25.B00.35.0	(738 052)
DN2"	64.00	6.50	BBS-25.G0.B40.B00.35.0	(738 064)
DN2 1/2"	77.50	6.50	BBS-25.G0.B50.B00.35.0	(738 068)
DN3"	91.00	6.50	BBS-25.G0.B65.B00.35.0	(738 072)
DN4"	119.00	10.00	BBS-25.G0.C40.C00.35.0	(738 104)
DN6"	167.00	11.00	BBS-25.G0.C60.C00.35.0	(738 108)
DN8"	217.50	14.00	BBS-25.G0.C80.B00.35.0	(on request)



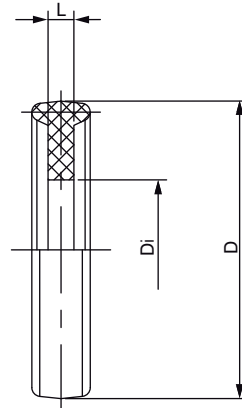
Dimensions [mm] Clamp ferrule blind cover

Orifice	D [mm]	L [mm]	Item no.	
SMS Dimensions Clamp ferrule blind cover (up to clamp diameter DM 25)				
DN06	25.00	6.70	BBS-25-G0.B08.B00.35.0	(738 019)
DN08	25.00	6.70	BBS-25-G0.B08.B00.35.0	(738 019)
DN10	25.00	6.70	BBS-25-G0.B08.B00.35.0	(738 019)

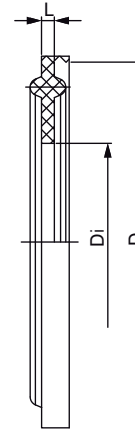
Orifice	D [mm]	L [mm]	Item no.	
SMS Dimensions Clamp ferrule (from clamp diameter DM 50.5)				
DN15	50.50	6.50	BBS-25-G0.B25.B00.35.0	(738 052)
DN20	50.50	6.50	BBS-25-G0.B25.B00.35.0	(738 052)
DN25	50.50	6.50	BBS-25-G0.B25.B00.35.0	(738 052)
DN32	64.00	6.50	BBS-25.G0.B40.B00.35.0	(738 064)
DN40	64.00	6.50	BBS-25.G0.B40.B00.35.0	(738 064)
DN50	77.50	6.50	BBS-25.G0.B50.B00.35.0	(738 068)
DN65	91.00	6.50	BBS-25.G0.B65.B00.35.0	(738 072)
DN80	106.00	6.50	BBS-25.G0.B80.B00.35.0	(737 072)
DN100	119.00	10.00	BBS-25.G0.C40.C00.35.0	(738 104)



Dimensions [mm] Clamp gaskets



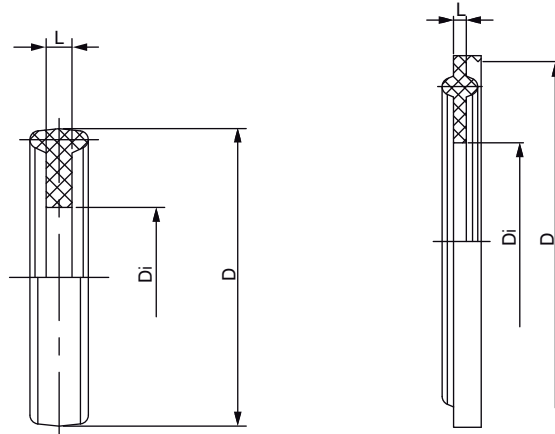
(up to clamp diameter DM 25)



(from clamp diameter DM 34)

Orifice	D [mm]	Di [mm]	L (+/-0.2)	Item no. EPDM		Item no. PTFE	
ISO Dimensions Clamp gaskets (up to clamp diameter DM 25)							
DN08	22.00	10.30	2.00	BBS-02-01.B08.25.EP.0	(730 049)	BBS-02-01.B08.25.FE.3	(730 050)
DN10	22.00	14.00	2.00	BBS-02-01.B10.25.EP.0	(730 069)	BBS-02-01.B10.25.FE.3	(730 071)
ISO Dimensions Clamp gaskets (from clamp diameter DM 34)							
DN08	34.00	10.30	2.00	BBS-02-01.B08.34.EP.0	(on request)	BBS-02-01.B08.34.FE.3	(on request)
DN08	50.50	10.30	2.00	BBS-02-01.B08.50.EP.0	(730 065)	BBS-02-01.B08.50.FE.3	(730 067)
DN10	34.00	14.00	2.00	BBS-02-01.B10.34.EP.0	(730 081)	BBS-02-01.B10.34.FE.3	(on request)
DN10	50.50	14.00	2.00	BBS-02-01.B10.50.EP.0	(730 086)	BBS-02-01.B10.50.FE.3	(730 088)
DN15	34.00	18.10	2.00	BBS-02-01.B15.34.EP.0	(730 107)	BBS-02-01.B15.34.FE.3	(on request)
DN15	50.50	18.10	2.00	BBS-02-01.B15.50.EP.0	(730 112)	BBS-02-01.B15.50.FE.3	(730 114)
DN20	50.50	23.70	2.00	BBS-02-01.B20.50.EP.0	(730 134)	BBS-02-01.B20.50.FE.3	(730 136)
DN25	50.50	29.70	2.00	BBS-02-01.B25.50.EP.0	(730 155)	BBS-02-01.B25.50.FE.3	(730 157)
DN32	64.00	38.40	2.00	BBS-02-01.B32.64.EP.0	(730 169)	BBS-02-01.B32.64.FE.3	(730 171)
DN40	64.00	44.30	2.00	BBS-02-01.B40.64.EP.0	(730 181)	BBS-02-01.B40.64.FE.3	(730 183)
DN50	77.50	56.30	2.00	BBS-02-01.B50.77.EP.0	(730 194)	BBS-02-01.B50.77.FE.3	(730 196)
DN65	91.00	72.10	2.00	BBS-02-01.B65.91.EP.0	(730 206)	BBS-02-01.B65.91.FE.3	(730 208)
DN80	106.00	84.30	2.00	BBS-02-01.B80.106.EP.0	(730 218)	BBS-02-01.B80.106.FE.3	(730 220)
DN100	130.00	84.30	2.00	BBS-02-01.B100.130.EP.0	(730 094)	BBS-02-01.B100.130.FE.3	(730 096)
DN150	183.00	163.10	30.00	BBS-02-01.B150.182.EP.0	(730 126)	BBS-02-01.B150.182.FE.3	(730 128)
DIN Dimensions Clamp gaskets (up to clamp diameter DM 25)							
DN04	22.00	4.00	2.00	BBS-02-01.A04.25.EP.0	(730 027)	BBS-02-01.A04.25.FE.3	(730 028)
DN06	22.00	6.00	2.00	BBS-02-01.A06.25.EP.0	(730 031)	BBS-02-01.A06.25.FE.3	(730 032)
DN08	22.00	8.00	2.00	BBS-02-01.A08.25.EP.0	(730 035)	BBS-02-01.A08.25.FE.3	(730 036)
DN10	22.00	10.00	2.00	BBS-02-01.A10.25.EP.0	(730 041)	BBS-02-01.A10.25.FE.3	(730 042)
DN15	22.00	10.00	2.00	BBS-02-01.A15.25.EP.0	(on request)	BBS-02-01.A15.25.FE.3	(on request)
DIN Dimensions Clamp gaskets (from clamp diameter DM 34)							
DN10	34.00	10.00	2.00	BBS-02-01.A10.34.EP.0	(on request)	BBS-02-01.A10.34.FE.3	(on request)
DN15	34.00	16.00	2.00	BBS-02-01.A15.34.EP.0	(on request)	BBS-02-01.A15.34.FE.3	(743 970)
DN20	34.00	20.00	2.00	BBS-02-01.D20.34.EP.0	(on request)	BBS-02-01.D20.34.FE.3	(on request)
DN20	50.50	20.00	2.00	BBS-02-01.D20.50.EP.0	(730 472)	BBS-02-01.D20.50.FE.3	(730 474)
DN25	50.50	26.00	2.00	BBS-02-01.D25.50.EP.0	(730 505)	BBS-02-01.D25.50.FE.3	(730 507)
DN32	50.50	32.00	2.00	BBS-02-01.D32.50.EP.0	(730 556)	BBS-02-01.D32.50.FE.3	(730 558)
DN32	64.00	32.00	2.00	BBS-02-01.D32.64.EP.0	(730 564)	BBS-02-01.D32.64.FE.3	(730 566)
DN40	50.50	38.00	2.00	BBS-02-01.D40.50.EP.0	(730 581)	BBS-02-01.D40.50.FE.3	(730 583)
DN50	64.00	50.00	2.00	BBS-02-01.D50.64.EP.0	(730 614)	BBS-02-01.D50.64.FE.3	(730 616)
DN65	91.00	66.00	2.00	BBS-02-01.D65.91.EP.0	(730 663)	BBS-02-01.D65.91.FE.3	(730 665)
DN80	106.00	81.00	2.00	BBS-02-01.D80.106.EP.0	(730 686)	BBS-02-01.D80.106.FE.3	(730 688)
DN100	119.00	100.00	2.00	BBS-02-01.D100.119.EP.0	(730 397)	BBS-02-01.D100.119.FE.3	(730 400)
DN125	155.00	125.00	2.00	BBS-02-01.D125.155.EP.0	(730 410)	BBS-02-01.D125.155.FE.3	(on request)
DN150	183.00	150.00	2.00	BBS-02-01.D150.183.EP.0	(730 452)	BBS-02-01.D150.183.FE.3	(on request)

Dimensions [mm] Clamp gaskets

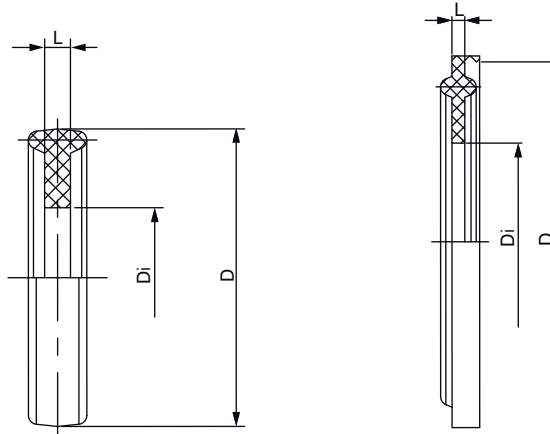


(up to clamp diameter DM 25)

(from clamp diameter DM 34)

Orifice	D [mm]	Di [mm]	L (+/-0.2)	Item no. PTFE/EPDM core		Item no. Silicone	
ISO Dimensions Clamp gaskets (up to clamp diameter DM 25)							
DN08	22.00	10.30	2.00	BBS-02-01.B08.25.FU.3	(730 053)	BBS-02-01.B08.25.SI.1	(730 059)
DN10	22.00	14.00	2.00	BBS-02-01.B10.25.FU.3	(730 073)	BBS-02-01.B10.25.SI.1	(730 077)
ISO Dimensions Clamp gaskets (from clamp diameter DM 34)							
DN08	34.00	10.30	2.00	BBS-02-01.B08.34.FU.3	(730 063)	BBS-02-01.B08.34.SI.1	(on request)
DN08	50.50	10.30	2.00	BBS-02-01.B08.50.FU.3	(743 487)	BBS-02-01.B08.50.SI.1	(on request)
DN10	34.00	14.00	2.00	BBS-02-01.B10.34.FU.3	(743 488)	BBS-02-01.B10.34.SI.1	(730 084)
DN10	50.50	14.00	2.00	BBS-02-01.B10.50.FU.3	(730 073)	BBS-02-01.B10.50.SI.1	(730 092)
DN15	34.00	18.10	2.00	BBS-02-01.B15.34.FU.3	(730 109)	BBS-02-01.B15.34.SI.1	(on request)
DN15	50.50	18.10	2.00	BBS-02-01.B15.50.FU.3	(730 116)	BBS-02-01.B15.50.SI.1	(730 122)
DN20	50.50	23.70	2.00	BBS-02-01.B20.50.FU.3	(730 138)	BBS-02-01.B20.50.SI.1	(730 142)
DN25	50.50	29.70	2.00	BBS-02-01.B25.50.FU.3	(730 159)	BBS-02-01.B25.50.SI.1	(730 163)
DN32	64.00	38.40	2.00	BBS-02-01.B32.64.FU.3	(730 173)	BBS-02-01.B32.64.SI.1	(730 177)
DN40	64.00	44.30	2.00	BBS-02-01.B40.64.FU.3	(730 185)	BBS-02-01.B40.64.SI.1	(730 190)
DN50	77.50	56.30	2.00	BBS-02-01.B50.77.FU.3	(730 198)	BBS-02-01.B50.77.SI.1	(730 202)
DN65	91.00	72.10	2.00	BBS-02-01.B65.91.FU.3	(730 210)	BBS-02-01.B65.91.SI.1	(730 214)
DN80	106.00	84.30	2.00	BBS-02-01.B80.106.FU.3	(730 222)	BBS-02-01.B80.106.SI.1	(730 227)
DN100	130.00	84.30	2.00	BBS-02-01.B100.130.FU.3	(730 098)	BBS-02-01.B100.130.SI.1	(730 101)
DN150	183.00	163.10	30.00	BBS-02-01.B150.182.FU.3	(730 128)	BBS-02-01.B150.182.SI.1	(730 130)
DIN Dimensions Clamp gaskets (up to clamp diameter DM 25)							
DN04	22.00	4.00	2.00	BBS-02-01.A04.25.FU.3	(on request)	BBS-02-01.A04.25.SI.1	(730 029)
DN06	22.00	6.00	2.00	BBS-02-01.A06.25.FU.3	(on request)	BBS-02-01.A06.25.SI.1	(730 033)
DN08	22.00	8.00	2.00	BBS-02-01.A08.25.FU.3	(on request)	BBS-02-01.A08.25.SI.1	(730 037)
DN10	22.00	10.00	2.00	BBS-02-01.A10.25.FU.3	(on request)	BBS-02-01.A10.25.SI.1	(730 043)
DN15	22.00	10.00	2.00	BBS-02-01.A15.25.FU.3	(on request)	BBS-02-01.A15.25.SI.1	(on request)
DIN Dimensions Clamp gaskets (from clamp diameter DM 34)							
DN10	34.00	10.00	2.00	BBS-02-01.A10.34.FU.3	(on request)	BBS-02-01.A10.34.SI.1	(on request)
DN15	34.00	16.00	2.00	BBS-02-01.A15.34.FU.3	(730 046)	BBS-02-01.A15.34.SI.1	(on request)
DN20	34.00	20.00	2.00	BBS-02-01.D20.34.FU.3	(742 985)	BBS-02-01.D20.34.SI.1	(on request)
DN20	50.50	20.00	2.00	BBS-02-01.D20.50.FU.3	(on request)	BBS-02-01.D20.50.SI.1	(730 476)
DN25	50.50	26.00	2.00	BBS-02-01.D25.50.FU.3	(730 509)	BBS-02-01.D25.50.SI.1	(730 511)
DN32	50.50	32.00	2.00	BBS-02-01.D32.50.FU.3	(on request)	BBS-02-01.D32.50.SI.1	(730 560)
DN32	64.00	32.00	2.00	BBS-02-01.D32.64.FU.3	(on request)	BBS-02-01.D32.64.SI.1	(on request)
DN40	50.50	38.00	2.00	BBS-02-01.D40.50.FU.3	(730 585)	BBS-02-01.D40.50.SI.1	(730 587)
DN50	64.00	50.00	2.00	BBS-02-01.D50.64.FU.3	(730 618)	BBS-02-01.D50.64.SI.1	(730 620)
DN65	91.00	66.00	2.00	BBS-02-01.D65.91.FU.3	(on request)	BBS-02-01.D65.91.SI.1	(730 667)
DN80	106.00	81.00	2.00	BBS-02-01.D80.106.FU.3	(on request)	BBS-02-01.D80.106.SI.1	(on request)
DN100	119.00	100.00	2.00	BBS-02-01.D100.119.FU.3	(on request)	BBS-02-01.D100.119.SI.1	(730 404)
DN125	155.00	125.00	2.00	BBS-02-01.D125.155.FU.3	(on request)	BBS-02-01.D125.155.SI.1	(on request)
DN150	183.00	150.00	2.00	BBS-02-01.D150.183.FU.3	(on request)	BBS-02-01.D150.183.SI.1	(on request)

Dimensions [mm] Clamp gaskets

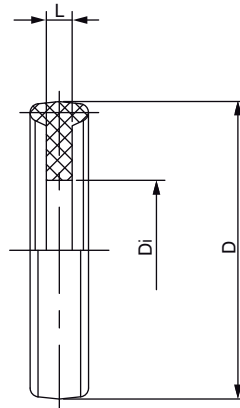


(up to clamp diameter DM 25)

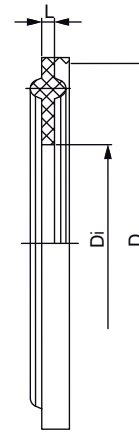
(from clamp diameter DM 34)

Orifice	D [mm]	Di [mm]	L (+/-0.2)	Item no. FKM	
ISO Dimensions Clamp gaskets (up to clamp diameter DM 25)					
DN08	22.00	10.30	2.00	BBS-02-01.B08.25.VI.2	(730 061)
DN10	22.00	14.00	2.00	BBS-02-01.B10.25.VI.2	(730 079)
ISO Dimensions Clamp gaskets (from clamp diameter DM 34)					
DN08	34.00	10.30	2.00	BBS-02-01.B08.34.VI.2	(on request)
DN08	50.50	10.30	2.00	BBS-02-01.B08.50.VI.2	(on request)
DN10	34.00	14.00	2.00	BBS-02-01.B10.34.VI.2	(on request)
DN10	50.50	14.00	2.00	BBS-02-01.B10.50.VI.2	(on request)
DN15	34.00	18.10	2.00	BBS-02-01.B15.34.VI.2	(on request)
DN15	50.50	18.10	2.00	BBS-02-01.B15.50.VI.2	(730 124)
DN20	50.50	23.70	2.00	BBS-02-01.B20.50.VI.2	(730 144)
DN25	50.50	29.70	2.00	BBS-02-01.B25.50.VI.2	(730 165)
DN32	64.00	38.40	2.00	BBS-02-01.B32.64.VI.2	(730 179)
DN40	64.00	44.30	2.00	BBS-02-01.B40.64.VI.2	(730 192)
DN50	77.50	56.30	2.00	BBS-02-01.B50.77.VI.2	(730 204)
DN65	91.00	72.10	2.00	BBS-02-01.B65.91.VI.2	(730 216)
DN80	106.00	84.30	2.00	BBS-02-01.B80.106.VI.2	(730 229)
DN100	130.00	84.30	2.00	BBS-02-01.B100.130.VI.2	(on request)
DN150	183.00	163.10	30.00	BBS-02-01.B150.182.VI.2	(on request)
DIN Dimensions Clamp gaskets (up to clamp diameter DM 25)					
DN04	22.00	4.00	2.00	BBS-02-01.A04.25.VI.2	(730 030)
DN06	22.00	6.00	2.00	BBS-02-01.A06.25.VI.2	(730 034)
DN08	22.00	8.00	2.00	BBS-02-01.A08.25.VI.2	(730 038)
DN10	22.00	10.00	2.00	BBS-02-01.A10.25.VI.2	(730 044)
DN15	22.00	10.00	2.00	BBS-02-01.A15.25.VI.2	(on request)
DIN Dimensions Clamp gaskets (from clamp diameter DM 34)					
DN10	34.00	10.00	2.00	BBS-02-01.A10.34.VI.2	(on request)
DN15	34.00	16.00	2.00	BBS-02-01.A15.34.VI.2	(on request)
DN20	34.00	20.00	2.00	BBS-02-01.D20.34.VI.2	(on request)
DN20	50.50	20.00	2.00	BBS-02-01.D20.50.VI.2	(730 478)
DN25	50.50	26.00	2.00	BBS-02-01.D25.50.VI.2	(730 513)
DN32	50.50	32.00	2.00	BBS-02-01.D32.50.VI.2	(730 562)
DN32	64.00	32.00	2.00	BBS-02-01.D32.64.VI.2	(on request)
DN40	50.50	38.00	2.00	BBS-02-01.D40.50.VI.2	(730 589)
DN50	64.00	50.00	2.00	BBS-02-01.D50.64.VI.2	(730 622)
DN65	91.00	66.00	2.00	BBS-02-01.D65.91.VI.2	(730 669)
DN80	106.00	81.00	2.00	BBS-02-01.D80.106.VI.2	(730 690)
DN100	119.00	100.00	2.00	BBS-02-01.D100.119.VI.2	(on request)
DN125	155.00	125.00	2.00	BBS-02-01.D125.155.VI.2	(on request)
DN150	183.00	150.00	2.00	BBS-02-01.D1150.183.VI.2	(730 453)

Dimensions [mm] Clamp gaskets



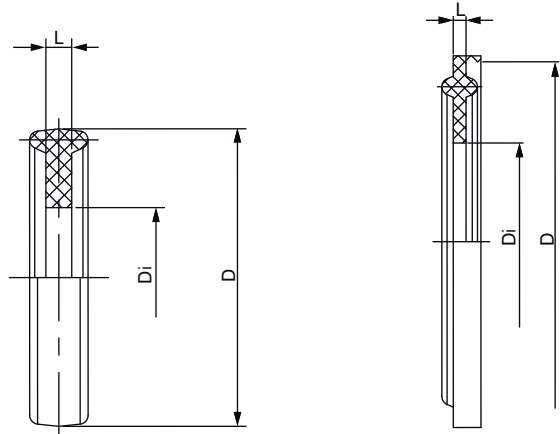
(up to clamp diameter DM 25)



(from clamp diameter DM 34)

Orifice	D [mm]	Di [mm]	L (+/-0.2)	Item no. EPDM		Item no. PTFE	
BS-OD Dimensions Clamp gaskets (up to clamp diameter DM 25)							
DN1/4"	22.00	4.57	2.00	BBS-02-01.C02.25.EP.0	(730 231)	BBS-02-01.C02.25.FE.3	(730 233)
DN3/8"	22.00	7.75	2.00	BBS-02-01.C03.25.EP.0	(730 239)	BBS-02-01.C03.25.FE.3	(730 242)
DN1/2"	22.00	9.40	2.00	BBS-02-01.C05.25.EP.0	(730 246)	BBS-02-01.C05.25.FE.3	(730 248)
DN3/4"	22.00	15.75	2.00	BBS-02-01.C07.25.EP.0	(730 256)	BBS-02-01.C07.25.FE.3	(730 258)
BS-OD Dimensions Clamp gaskets (from clamp diameter DM 50.5)							
DN1"	50.50	22.10	2.00	BBS-02-01.C10.50.EP.0	(730 264)	BBS-02-01.C10.50.FE.3	(730 266)
DN1 1/2"	50.50	34.80	2.00	BBS-02-01.C15.50.EP.0	(730 277)	BBS-02-01.C15.50.FE.3	(730 279)
DN2"	64.00	47.50	2.00	BBS-02-01.C20.64.EP.0	(730 289)	BBS-02-01.C20.64.FE.3	(730 291)
DN2 1/2"	77.50	60.20	2.00	BBS-02-01.C25.77.EP.0	(730 301)	BBS-02-01.C25.77.FE.3	(730 303)
DN3"	91.00	72.90	2.00	BBS-02-01.C30.91.EP.0	(730 311)	BBS-02-01.C30.91.FE.3	(730 313)
DN4"	119.00	97.40	2.00	BBS-02-01.C40.119.EP.0	(730 322)	BBS-02-01.C40.119.FE.3	(730 324)
DN6"	167.00	146.86	2.00	BBS-02-01.C60.167.EP.0	(730 332)	BBS-02-01.C60.167.FE.3	(730 334)
DN8"	217.50	197.67	2.00	BBS-02-01.C80.217.EP.0	(on request)	BBS-02-01.C80.217.FE.3	(on request)
SMS Dimensions Clamp gaskets (up to clamp diameter DM 25)							
DN08	22.00	8.00	2.00	BBS-02-01.A08.25.EP.0	(730 035)	BBS-02-01.A08.25.FE.3	(730 036)
DN10	22.00	10.00	2.00	BBS-02-01.A10.25.EP.0	(730 041)	BBS-02-01.A10.25.FE.3	(730 042)
SMS Dimensions Clamp gaskets (from clamp diameter DM 50.5)							
DN15	50.50	16.00	2.00	BBS-02-01.J15.50.EP.0	(730 715)	BBS-02-01.J15.50.FE.3	(730 717)
DN20	50.50	20.00	2.00	BBS-02-01.J20.50.EP.0	(730 721)	BBS-02-01.J20.50.FE.3	(730 723)
DN25	50.50	22.60	2.00	BBS-02-01.J25.00.EP.0	(730 725)	BBS-02-01.J25.00.FE.3	(730 727)
DN32	64.00	29.60	2.00	BBS-02-01.J32.64.EP.0	(730 729)	BBS-02-01.J32.64.FE.3	(730 731)
DN40	64.00	35.60	2.00	BBS-02-01.J40.64.EP.0	(730 733)	BBS-02-01.J40.64.FE.3	(730 735)
DN50	77.50	48.60	2.00	BBS-02-01.J50.77.EP.0	(730 737)	BBS-02-01.J50.77.FE.3	(730 739)
DN65	91.00	60.30	2.00	BBS-02-01.J65.91.EP.0	(730 741)	BBS-02-01.J65.91.FE.3	(730 743)
DN80	106.00	72.90	2.00	BBS-02-01.J80.106.EP.0	(730 745)	BBS-02-01.J80.106.FE.3	(730 747)
DN100	119.00	97.60	2.00	BBS-02-01.J100.119.EP.0	(on request)	BBS-02-01.J100.119.FE.3	(on request)

Dimensions [mm] Clamp gaskets

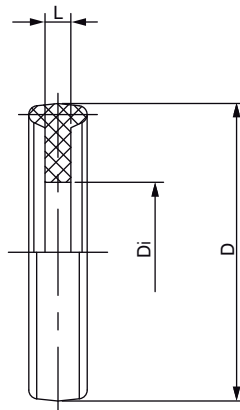


(up to clamp diameter DM 25)

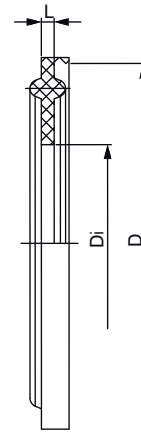
(from clamp diameter DM 34)

Orifice	D [mm]	Di [mm]	L (+/-0.2)	Item no. PTFE/EPDM core		Item no. Silicone	
BS-OD Dimensions Clamp gaskets (up to clamp diameter DM 25)							
DN1/4"	22.00	4.57	2.00	BBS-02-01.C02.25.FU.3	(on request)	BBS-02-01.C02.25.SI.1	(730 235)
DN3/8"	22.00	7.75	2.00	BBS-02-01.C03.25.FU.3	(on request)	BBS-02-01.C03.25.SI.1	(730 244)
DN1/2"	22.00	9.40	2.00	BBS-02-01.C05.25.FU.3	(on request)	BBS-02-01.C05.25.SI.1	(730 252)
DN3/4"	22.00	15.75	2.00	BBS-02-01.C07.25.FU.3	(on request)	BBS-02-01.C07.25.SI.1	(730 260)
BS-OD Dimensions Clamp gaskets (from clamp diameter DM 50.5)							
DN1"	50.50	22.10	2.00	BBS-02-01.C10.50.FU.3	(730 268)	BBS-02-01.C10.50.SI.1	(730 273)
DN1 1/2"	50.50	34.80	2.00	BBS-02-01.C15.50.FU.3	(730 281)	BBS-02-01.C15.50.SI.1	(730 283)
DN2"	64.00	47.50	2.00	BBS-02-01.C20.64.FU.3	(730 293)	BBS-02-01.C20.64.SI.1	(730 297)
DN2 1/2"	77.50	60.20	2.00	BBS-02-01.C25.77.FU.3	(730 305)	BBS-02-01.C25.77.SI.1	(730 307)
DN3"	91.00	72.90	2.00	BBS-02-01.C30.91.FU.3	(730 315)	BBS-02-01.C30.91.SI.1	(730 317)
DN4"	119.00	97.40	2.00	BBS-02-01.C40.119.FU.3	(730 326)	BBS-02-01.C40.119.SI.1	(730 328)
DN6"	167.00	146.86	2.00	BBS-02-01.C60.167.FU.3	(on request)	BBS-02-01.C60.167.SI.1	(730 336)
DN8"	217.50	197.67	2.00	BBS-02-01.C80.217.FU.3	(on request)	BBS-02-01.C80.217.SI.1	(730 338)
SMS Dimensions Clamp gaskets (up to clamp diameter DM 25)							
DN08	22.00	8.00	2.00	BBS-02-01.A08.25.FU.3	(on request)	BBS-02-01.A08.25.SI.1	(730 037)
DN10	22.00	10.00	2.00	BBS-02-01.A10.25.FU.3	(on request)	BBS-02-01.A10.25.SI.1	(730 043)
SMS Dimensions Clamp gaskets (from clamp diameter DM 50.5)							
DN15	50.50	16.00	2.00	BBS-02-01.J15.50.FU.3	(on request)	BBS-02-01.J15.50.SI.1	(on request)
DN20	50.50	20.00	2.00	BBS-02-01.J20.50.FU.3	(on request)	BBS-02-01.J20.50.SI.1	(on request)
DN25	50.50	22.60	2.00	BBS-02-01.J25.50.FU.3	(on request)	BBS-02-01.J25.50.SI.1	(on request)
DN32	64.00	29.60	2.00	BBS-02-01.J32.64.FU.3	(on request)	BBS-02-01.J32.64.SI.1	(on request)
DN40	64.00	35.60	2.00	BBS-02-01.J40.64.FU.3	(on request)	BBS-02-01.J40.64.SI.1	(on request)
DN50	77.50	48.60	2.00	BBS-02-01.D65.91.FU.3	(on request)	BBS-02-01.J50.77.SI.1	(on request)
DN65	91.00	60.30	2.00	BBS-02-01.J65.91.FU.3	(on request)	BBS-02-01.J65.91.SI.1	(on request)
DN80	106.00	72.90	2.00	BBS-02-01.J80.106.FU.3	(on request)	BBS-02-01.J80.106.SI.1	(on request)
DN100	119.00	97.60	2.00	BBS-02-01.J100.119.FU.3	(on request)	BBS-02-01.J100.119.SI.1	(on request)

Dimensions [mm] Clamp gaskets



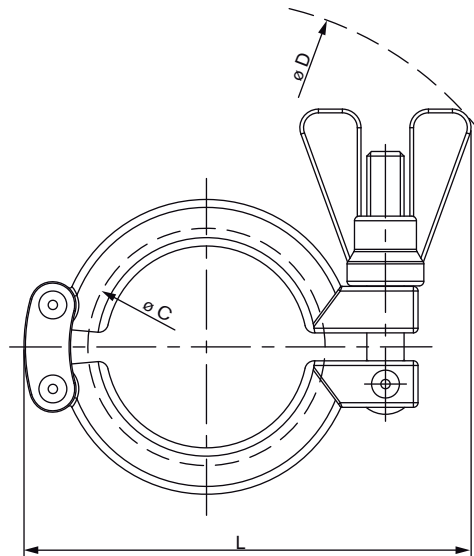
(up to clamp diameter DM 25)



(from clamp diameter DM 34)

Orifice	D [mm]	Di [mm]	L (+/-0.2)	Item no. FKM	
BS-OD Dimensions Clamp gaskets (up to clamp diameter DM 25)					
DN1/4"	22.00	4.57	2.00	BBS-02-01.C02.25.VI.2	(730 237)
DN3/8"	22.00	7.75	2.00	BBS-02-01.C03.25.VI.2	(on request)
DN1/2"	22.00	9.40	2.00	BBS-02-01.C05.25.VI.2	(730 254)
DN3/4"	22.00	15.75	2.00	BBS-02-01.C07.25.VI.2	(730 262)
BS-OD Dimensions Clamp gaskets (from clamp diameter DM 50.5)					
DN1"	50.50	22.10	2.00	BBS-02-01.C10.50.VI.2	(730 275)
DN1 1/2"	50.50	34.80	2.00	BBS-02-01.C15.50.VI.2	(730 285)
DN2"	64.00	47.50	2.00	BBS-02-01.C20.64.VI.2	(730 299)
DN2 1/2"	77.50	60.20	2.00	BBS-02-01.C25.77.VI.2	(730 309)
DN3"	91.00	72.90	2.00	BBS-02-01.C30.91.VI.2	(730 319)
DN4"	119.00	97.40	2.00	BBS-02-01.C40.119.VI.2	(730 330)
DN6"	167.00	146.86	2.00	BBS-02-01.C60.167.VI.2	(on request)
DN8"	217.50	197.67	2.00	BBS-02-01.C80.217.VI.2	(on request)
SMS Dimensions Clamp gaskets (up to clamp diameter DM 25)					
DN08	22.00	8.00	2.00	BBS-02-01.A08.25.VI.2	(730 038)
DN10	22.00	10.00	2.00	BBS-02-01.A10.25.VI.2	(730 044)
SMS Dimensions Clamp gaskets (from clamp diameter DM 50.5)					
DN15	50.50	16.00	2.00	BBS-02-01.J15.50.VI.2	(730 719)
DN20	50.50	20.00	2.00	BBS-02-01.J20.50.VI.2	(on request)
DN25	50.50	22.60	2.00	BBS-02-01.J25.50.VI.2	(on request)
DN32	64.00	29.60	2.00	BBS-02-01.J32.64.VI.2	(on request)
DN40	64.00	35.60	2.00	BBS-02-01.J40.64.VI.2	(on request)
DN50	77.50	48.60	2.00	BBS-02-01.J50.77.VI.2	(on request)
DN65	91.00	60.30	2.00	BBS-02-01.J65.91.VI.2	(730 690)
DN80	106.00	72.90	2.00	BBS-02-01.J80.106.VI.2	(on request)
DN100	119.00	97.60	2.00	BBS-02-01.J100.119.VI.2	(on request)

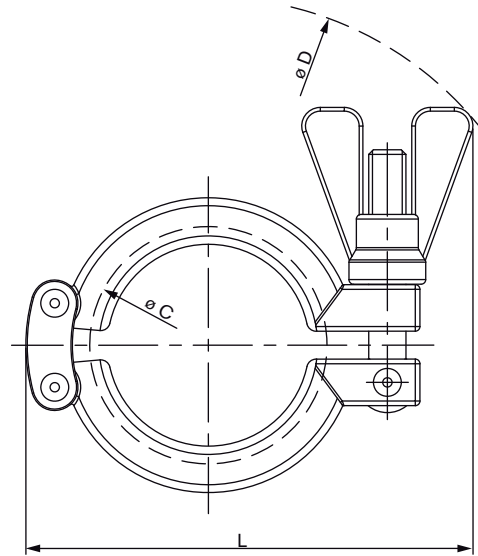
Dimensions [mm] Clamp



Orifice	C [mm]	D [mm]	L [mm]	Max. operating pressure [bar] to 150°C	Item no.
ISO Dimensions Clamp					
DN08	25.00	130.00	64.00	50.00	BBS-05-C7.U08.U00.01.0 (731 146)
DN10	25.00	130.00	64.00	50.00	BBS-05-C7.U08.U00.01.0 (731 146)
DN15	50.50	154.00	93.00	50.00	BBS-05-C7.U25.U00.01.0 (731 164)
DN20	50.50	154.00	93.00	50.00	BBS-05-C7.U25.U00.01.0 (731 164)
DN25	50.50	154.00	93.00	50.00	BBS-05-C7.U25.U00.01.0 (731 164)
DN32	64.00	180.00	108.00	50.00	BBS-05-C7.U40.U00.01.0 (731 172)
DN40	64.00	180.00	108.00	50.00	BBS-05-C7.U40.U00.01.0 (731 172)
DN50	77.50	200.00	125.00	50.00	BBS-05-C7.U50.U00.01.0 (731 174)
DN65	91.00	105.00	139.00	40.00	BBS-05-C7.U65.U00.01.0 (731 176)
DN80	106.00	116.00	144.00	40.00	BBS-05-C7.U80.U00.01.0 (731 178)
DN100	130.00	240.00	173.00	30.00	BBS-05-C7.U100.U01.01.0 (731 154)
DN150	183.00	356.00	275.00	25.00	BBS-05-C7.U150.UTC.01.0 (731 160)

Orifice	C [mm]	D [mm]	L [mm]	Max. operating pressure [bar] to 150°C	Item no.
DIN Dimensions Clamp					
DN04	25.00	130.00	64.00	50.00	BBS-05-C7.U08.U00.01.0 (731 146)
DN06	25.00	130.00	64.00	50.00	BBS-05-C7.U08.U00.01.0 (731 146)
DN08	25.00	130.00	64.00	50.00	BBS-05-C7.U08.U00.01.0 (731 146)
DN10	25.00	130.00	64.00	50.00	BBS-05-C7.U08.U00.01.0 (731 146)
DN10	34.00	130.00	68.00	50.00	BBS-05-C7.U10.U00.01.0 (731 150)
DN15	25.00	130.00	64.00	50.00	BBS-05-C7.U08.U00.01.0 (731 146)
DN15	34.00	130.00	68.00	50.00	BBS-05-C7.U10.U00.01.0 (731 150)
DN20	34.00	130.00	68.00	50.00	BBS-05-C7.U10.U00.01.0 (731 150)
DN20	50.50	154.00	93.00	50.00	BBS-05-C7.U25.U00.01.0 (731 164)
DN25	50.50	154.00	93.00	50.00	BBS-05-C7.U25.U00.01.0 (731 164)
DN32	50.50	154.00	93.00	50.00	BBS-05-C7.U25.U00.01.0 (731 164)
DN40	50.50	154.00	93.00	50.00	BBS-05-C7.U25.U00.01.0 (731 164)
DN50	64.00	180.00	108.00	50.00	BBS-05-C7.U40.U00.01.0 (731 172)
DN65	91.00	105.00	139.00	40.00	BBS-05-C7.U65.U00.01.0 (731 176)
DN80	106.00	116.00	144.00	40.00	BBS-05-C7.U80.U00.01.0 (731 178)
DN100	119.00	240.00	171.00	35.00	BBS-05-C7.Q40.Q00.01.0 (731 144)
DN125	155.00	240.00	171.00	30.00	BBS-05-C7.X125.X00.01.0 (on request)
DN150	183.00	356.00	275.00	25.00	BBS-05-C7.U150.UTC.01.0 (731 160)

Dimensions [mm] Clamp



Orifice	C [mm]	D [mm]	L [mm]	Max. operating pressure [bar] to 150°C	Item no.
BS-OD Dimensions Clamp					
DN1/4"	25.00	130.00	64.00	50.00	BBS-05-C7.U08.U00.01.0 (731 146)
DN3/8"	25.00	130.00	64.00	50.00	BBS-05-C7.U08.U00.01.0 (731 146)
DN1/2"	25.00	130.00	64.00	50.00	BBS-05-C7.U08.U00.01.0 (731 146)
DN3/4"	25.00	130.00	64.00	50.00	BBS-05-C7.U08.U00.01.0 (731 146)
DN1"	50.50	154.00	93.00	50.00	BBS-05-C7.U25.U00.01.0 (731 164)
DN1 1/2"	50.50	154.00	93.00	50.00	BBS-05-C7.U25.U00.01.0 (731 164)
DN2"	64.00	180.00	108.00	50.00	BBS-05-C7.U40.U00.01.0 (731 172)
DN2 1/2"	77.50	200.00	125.00	50.00	BBS-05-C7.U50.U00.01.0 (731 174)
DN3"	91.00	105.00	139.00	40.00	BBS-05-C7.U65.U00.01.0 (731 176)
DN4"	119.00	240.00	171.00	35.00	BBS-05-C7.Q40.Q00.01.0 (731 144)
DN6"	167.00	316.00	260.00	30.00	BBS-05-C7.U100.U00.01.0 (731 154)
DN8"	217.50	390.00	324.00	30.00	BBS-05-C7.U100.U00.01.0 (731 154)

Orifice	C [mm]	D [mm]	L [mm]	Max. operating pressure [bar] to 150°C	Item no.
SMS Dimensions Clamp					
DN04	25.00	130.00	64.00	50.00	BBS-05-C7.U08.U00.01.0 (731 146)
DN06	25.00	130.00	64.00	50.00	BBS-05-C7.U08.U00.01.0 (731 146)
DN08	25.00	130.00	64.00	50.00	BBS-05-C7.U08.U00.01.0 (731 146)
DN10	25.00	130.00	64.00	50.00	BBS-05-C7.U08.U00.01.0 (731 146)
DN15	50.50	154.00	93.00	50.00	BBS-05-C7.U25.U00.01.0 (731 164)
DN20	50.50	154.00	93.00	50.00	BBS-05-C7.U25.U00.01.0 (731 164)
DN25	50.50	154.00	93.00	50.00	BBS-05-C7.U25.U00.01.0 (731 164)
DN32	64.00	180.00	108.00	50.00	BBS-05-C7.U40.U00.01.0 (731 172)
DN40	64.00	180.00	108.00	50.00	BBS-05-C7.U40.U00.01.0 (731 172)
DN50	77.50	200.00	125.00	50.00	BBS-05-C7.U50.U00.01.0 (731 174)
DN65	91.00	105.00	139.00	40.00	BBS-05-C7.U65.U00.01.0 (731 176)
DN80	106.00	116.00	144.00	40.00	BBS-05-C7.U80.U00.01.0 (731 178)
DN100	119.00	240.00	171.00	35.00	BBS-05-C7.Q40.Q00.01.0 (731 144)