

## BBS-17

Asepto sampling systems

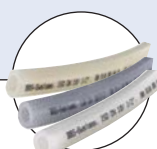
## Asepto sampling systems



Hygienic Processing components...



**Type BBS-3F**  
Flow indicator



**Type BBS-04**  
Silicone hose



**Type BBS-10**  
Check valve



**Type BBS-03**  
Sterile threaded connection



**Type BBS-06**  
Sterile orbital flange



**Type 2103**  
Diaphragm valve

- Fits in BBS sterile ingold sockets
- Fits in standard Clamp ferrules with diameter DM25 and DM50.5
- All medium contact materials traceable
- Component of the BBS modular system

The asepto sampling system from BBS offers simple and safe sampling possibilities with a syringe.

A specially developed membrane permits up to 20 samples to be taken (by passing syringe needle through it and directly into the process) and then reseals itself. When the membrane requires changing it is quick and simple to realize.

It can be fitted into almost any part of the process via different connection possibilities but is particularly favoured for tank installations.

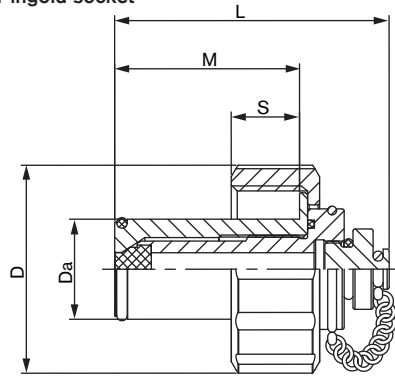
### Applications

- Biotechnology
- Pharmaceutical
- Chemical industry
- Dairy
- Food
- Cosmetic

Technical data	
<b>Available standard sizes</b>	DN25 / DN40 Clamp Ø 25 / Ø 50.5
<b>Material medium contact</b>	Stainless steel 1.4435 BN2 (316L) Special materials e.g. Hastelloy 2.4602, Titanium, 1.4539 etc. on request
<b>Material medium separated</b>	1.4305 or equivalent
<b>Connection</b>	Ingold or clamp
<b>Seals</b>	O-Ring, EPDM, FEP, special sealing materials e.g. Silicone, pure PTFE etc. on request
<b>Surface quality</b>	Medium contacted surface < Ra 0,8µm, electro polished, finer surface on request
<b>Operating temperature</b>	EPDM seal material: -40°C to 90°C, temporary to 140°C
<b>Ambient temperature</b>	-20 to +80 °C
<b>Media</b>	Gases or liquids
<b>Operating pressure</b>	-1 to +10 bar (depending on the temperature)
<b>Applicable standards</b>	Clamp sealing acc. to DIN 32676 / ASME BPE
<b>Certifications</b>	Material 3.1, FDA, USP VI

**Dimensions [mm]**

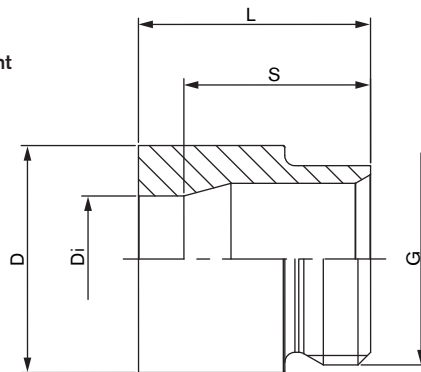
Aseptic sampling system for ingold socket



Orifice	D [mm]	Da (e8) [mm]	L [mm]	M [mm]	S [mm]	Item no.	
<b>Dimensions Aseptic sampling system for ingold socket</b>							
DN25	52.00	25.00	68.00	46.00	17.00	BBS-17-PS.W00.SIN.35.0	(743 320)
DN40	69.00	40.00	-	-	-	(on request)	(on request)

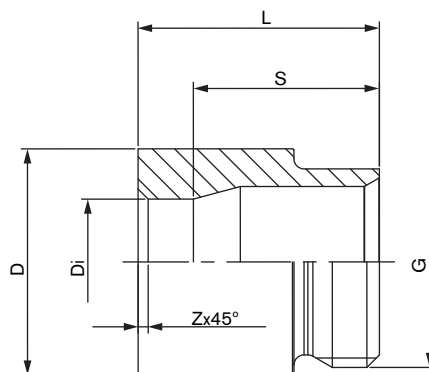
**Suitable socket**

Safety ingold socket, straight



Orifice	D [mm]	Di (H7) [mm]	L [mm]	S [mm]	G [mm]	Item no.	
<b>Dimensions Safety ingold socket, straight</b>							
DN25	45.00	25.00	46.00	37.00	G1 1/4"	BBS-11-IG.Z25.047.35.0	(737 214)
DN40	60.00	40.00	48.00	0	M56x2	BBS-11-IG.Z40.047.35.0	(on request)

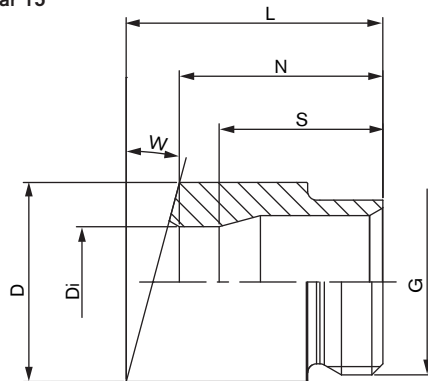
Safety ingold sockets,  
straight, with chamfer



Orifice	D [mm]	Di (H7) [mm]	L [mm]	S [mm]	G [mm]	Z [mm]	Item no.	
<b>Dimensions Safety ingold sockets, straight, with chamfer</b>								
DN25	45.00	25.00	48.00	37.00	G1 1/4"	2.00	BBS-11-IG.Z25.N47.35.0	(737 237)
DN40	60.00	40.00	52.00	40.00	M56x2	4.00	BBS-11-IG.Z40.N47.35.0	(on request)

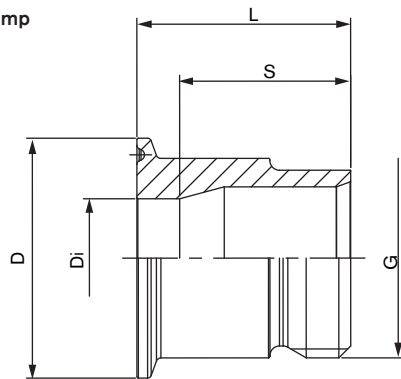
**Dimensions [mm]**

Safety ingold sockets angular 15°



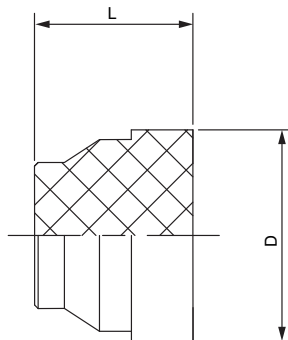
Orifice	D [mm]	Di (H7) [mm]	L [mm]	N [mm]	S [mm]	G [mm]	W [°]	Item no.
<b>Dimensions Safety ingold sockets angular 15°</b>								
DN25	45.00	25.00	55.40	46.00	37.00	G1 1/4"	15.00	BBS-11-IG.Z25.S47.35.0 (737 260)
DN40	60.00	40.00	61.00	48.00	40.00	M56x2	15.00	BBS-11-IG.Z40.S47.35.0 (on request)

Safety ingold socket with Clamp



Orifice	D [mm]	Di (H7) [mm]	L [mm]	S [mm]	G [mm]	Item no.
<b>Dimensions Safety ingold socket with Clamp</b>						
DN25	50.50	25.00	46.00	37.00	G1 1/4"	BBS-11-IG.Z25.046.B25.35.0 (on request)
DN40	64.00	40.00	48.00	40.00	M56x2	BBS-11-IG.Z40.048.B40.35.0 (on request)

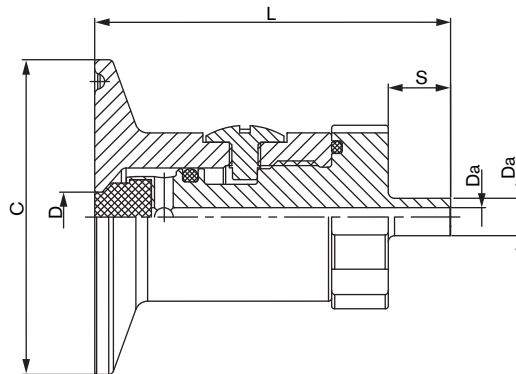
Membrane for asepto sampling system



Orifice	D [mm]	L [mm]	Item no. Silicone
<b>Dimensions Membrane for asepto sampling system</b>			
DN25	12.00	8.50	BBS-02-20.W00.00.SI.0 (731 617)
DN40	12.00	8.50	BBS-02-20.W00.00.SI.0 (731 617)

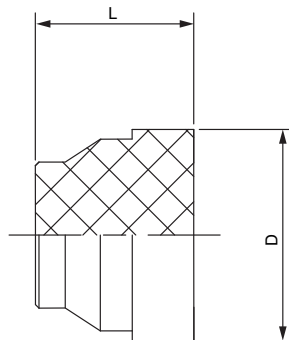
**Dimensions [mm]**

Asepto sampling system with Clamp connection



Orifice	C [mm]	D (H7) [mm]	Da [mm]	Di [mm]	L [mm]	S [mm]	Item no.	
<b>Dimensions Asepto sampling system with Clamp connection</b>								
DN10	25.00	8.00	6.00	3.00	57.00	10.00	BBS-17-PV.W00.B10.35.0	(743 090)
DN25	50.50	8.00	6.00	3.00	57.00	10.00	BBS-17-PV.W00.B25.35.0	(743 051)

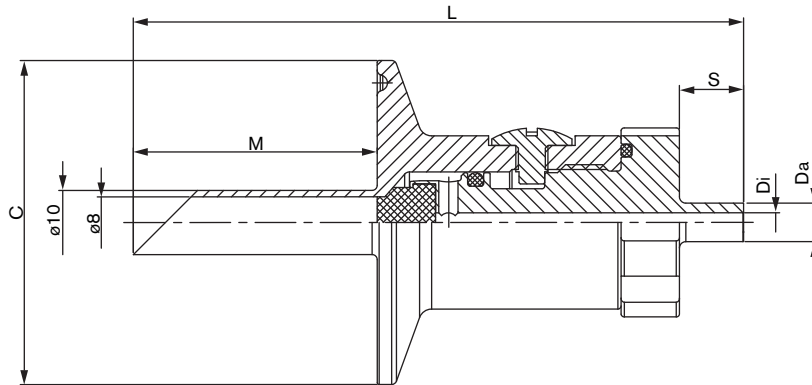
Membrane for asepto sampling system



Orifice	D [mm]	L [mm]	Item no. Silicone	
<b>Dimensions Membrane for asepto sampling system</b>				
DN25	12.00	8.50	BBS-02-20.W00.00.SI.0	(731 617)
DN40	12.00	8.50	BBS-02-20.W00.00.SI.0	(731 617)

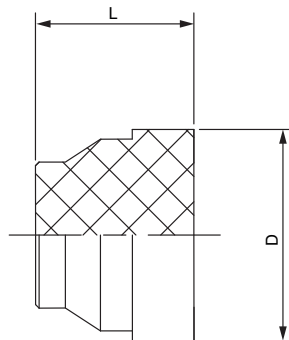
**Dimensions [mm]**

Asepto flow sampling system with Clamp connection



Orifice	C [mm]	Da [mm]	Di [mm]	L [mm]	S [mm]	M [mm]	Item no.
<b>Dimensions Asepto flow sampling system with Clamp connection</b>							
DN10	25.00	6.00	3.00	57.00	10.00	38.00	BBS-17-PV.W00.FLO.B10.35.0 (742 997)
DN25	50.50	6.00	3.00	57.00	10.00	38.00	BBS-17-PV.W00.FLO.B25.35.0 (742 975)

Membrane for asepto sampling system



Orifice	D [mm]	L [mm]	Item no. Silicone
<b>Dimensions Membrane for asepto sampling system</b>			
DN25	12.00	8.50	BBS-02-20.W00.00.SI.0 (731 617)
DN40	12.00	8.50	BBS-02-20.W00.00.SI.0 (731 617)