

## BBS-11

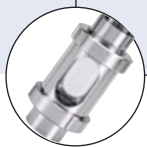
Safety

ingold sockets

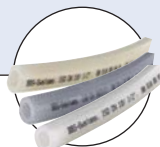
**bürkert**  
FLUID CONTROL SYSTEMS



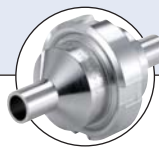
Hygienic Processing components...



**Type BBS-3F**  
Flow indicator



**Type BBS-04**  
Silicone hose



**Type BBS-10**  
Check valve



**Type BBS-05**  
Aseptic  
Clamp connection



**Type BBS-06**  
Sterile orbital flange



**Type 2103**  
Diaphragm valve

## Safety ingold sockets Sterile version and Asepto sampling systems

- All medium contact materials traceable
- Component of the BBS modular system
- Safety version
- Guaranteed zero dead volume
- Fits in BBS sterile ingold sockets

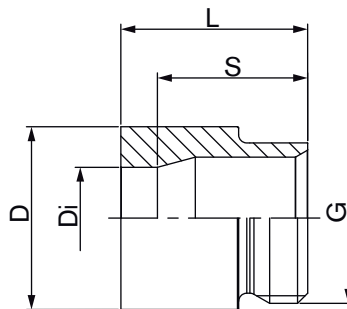
The BBS safety ingold sockets are designed so that upon release of the nut any possible existing pressure in the container can escape without the plug being disengaged. Thus providing safety for the operator. The sealing part is designed to guarantee that it is absolutely gap free. The standardization of safety ingold sockets allows the common use of various instruments and additionally the BBS-11 range is available with sampling devices to suit your needs so please contact us to discuss how we can help further.

### Technical data

<b>Available standard sizes</b>	DN25 DN40
<b>Material medium contact</b>	Stainless steel 1.4435 BN2 (316L) Special materials e.g. Alloy C22 2.4602, on request
<b>Material medium separated</b>	1.4305 or equivalent
<b>Diaphragm material</b>	Silicone
<b>Seals</b>	O-Ring, EPDM, PTFE, special sealing materials e.g. FFKM, pure PTFE etc. on request
<b>Surface quality</b>	Medium contacted surface < Ra 0,8µm, electro polished, finer surface on request
<b>Operating temperature</b>	EPDM seal material: -40 to 90 °C, temporary to 140 °C FEP <sup>1)</sup> Seal material: -60°C to 160°C, (depending on the operating pressure) temporary to 205°C
<b>Ambient temperature</b>	-20 to +80 °C
<b>Media</b>	Gases or liquids
<b>Operating pressure</b>	-1 to +16 bar (depending on temperature)
<b>Certifications</b>	FDA specified for all sealing materials USP Class VI for EPDM, PTFE and FEP

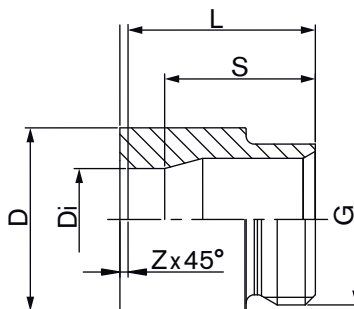
**Dimensions [mm]**

Safety ingold sockets, straight



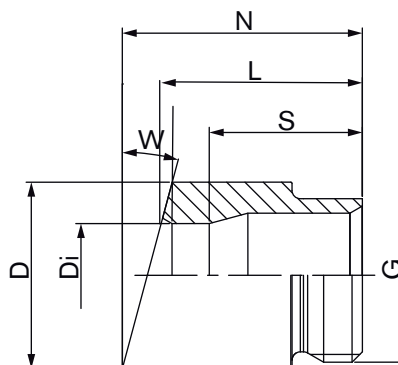
Orifice	D [mm]	Di (H7) [mm]	L [mm]	S [mm]	G [mm]	Item no.
<b>Dimensions Safety ingold sockets, straight</b>						
DN25	45,00	25,00	46,00	37,00	G1 1/4"	737 214
DN40	60,00	40,00	48,00	40,00	M56x2	on request

Safety ingold sockets, straight, with chamfer



Orifice	D [mm]	Di (H7) [mm]	L [mm]	S [mm]	G [mm]	Z [mm]	Item no.
<b>Dimensions Safety ingold sockets, straight, with chamfer</b>							
DN25	45,00	25,00	46,00	37,00	G1 1/4"	2,00	737 237
DN40	60,00	40,00	48,00	40,00	M56x2	4,00	on request

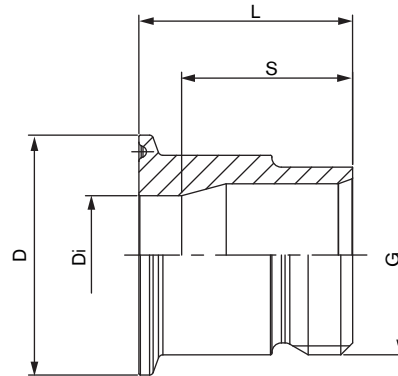
Safety ingold sockets angular 15°



Orifice	D [mm]	Di (H7) [mm]	N [mm]	L [mm]	S [mm]	G [mm]	W [°]	Item no.
<b>Dimensions Safety ingold sockets angular 15°</b>								
DN25	45,00	25,00	55,40	46,00	37,00	G1 1/4"	15,00	737 260
DN40	60,00	40,00	61,00	48,00	40,00	M56x2	15,00	on request

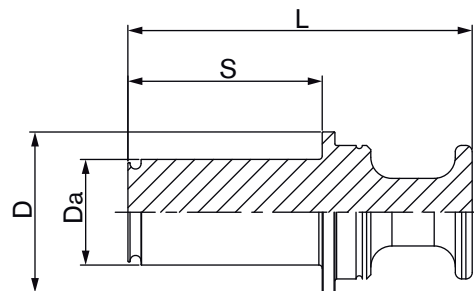
**Dimensions [mm]**

Safety ingold socket with Clamp



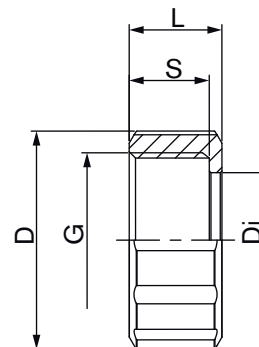
Orifice	D [mm]	Di (H7) [mm]	L [mm]	S [mm]	G [mm]	Item no.
<b>Dimensions Safety ingold socket with Clamp</b>						
DN25	50,50	25,00	46,00	37,00	G1 1/4"	on request
DN40	64,00	40,00	48,00	40,00	M56x2	on request

Safety ingold plug



Orifice	D [mm]	Da (e8) [mm]	L [mm]	S [mm]	Item no.
<b>Dimensions Safety ingold plug</b>					
DN25	38,00	25,00	81,50	46,00	743 071
DN40	50,00	40,00	83,00	48,00	on request

Ingold nut



Orifice	D [mm]	Di [mm]	L [mm]	S [mm]	G [mm]	Item no.
<b>Dimensions Ingold nut</b>						
DN25	52,00	25,00	22,00	19,00	G1 1/4"	737 017
DN40	69,00	44,00	22,00	19,00	M56x2	737 037

**Dimensions [mm]**

**O-Rings for Ingold plug**

Orifice	Item no. EPDM		Item no. FEP
<b>O-Rings for Ingold plug</b>			
DN25	BBS-02-01.Z25.ING.EP.0	731 443	731 445
DN40	BBS-02-01.Z40.ING.EP.0	731 455	on request
Orifice	Item no. Silicone		Item no. FKM
<b>O-Rings for Ingold plug</b>			
DN25	BBS-02-01.Z25.ING.SI.1	731 449	on request
DN40	BBS-02-01.Z40.ING.SI.1	on request	on request

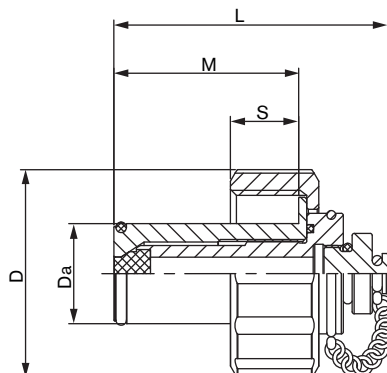


**Safety ring**

Orifice	Item no.
<b>Safety rings for Ingold plugs</b>	
DN25	738 495
DN40	731 885



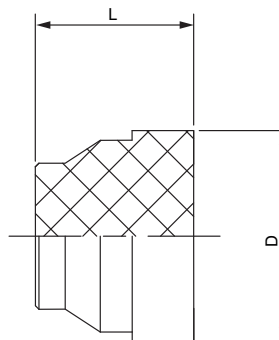
**Aseptic sampling system for ingold socket**



Orifice	D [mm]	Da (e8) [mm]	L [mm]	M [mm]	S [mm]	Item no.
<b>Dimensions Aseptic sampling system for ingold socket</b>						
DN25	52,00	25,00	68,00	46,00	17,00	743 320
DN40	69,00	40,00	-	-	-	on request

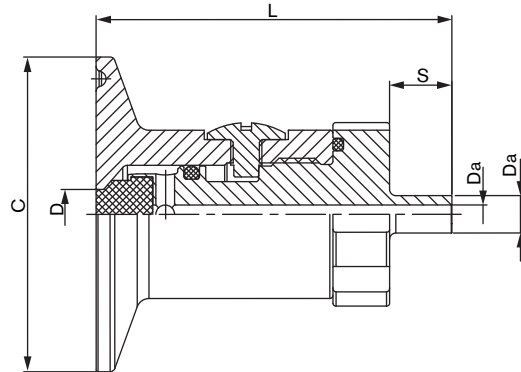
**Replacement diaphragm**

Orifice	D [mm]	L [mm]	Item no. Silicone
<b>Dimensions replacement diaphragm</b>			
DN25	12,00	8,50	731 617
DN40	12,00	8,50	731 617



**Dimensions [mm]**

Asepto sampling system with Clamp connection



Orifice	C [mm]	D (H7) [mm]	Da [mm]	Di [mm]	L [mm]	S [mm]	Item no.
<b>Dimensions Asepto sampling system</b>							
DN10	25,00	8,00	6,00	3,00	57,00	10,00	743 090
DN25	50,50	8,00	6,00	3,00	57,00	10,00	743 051

**Specification key (other versions on request)**

Example

BBS-11 - IH - 00 - 25,0 - 00 - VI - 0000 - 000 - IAB - PA\* - NK52 NO10

Specification key

BBS-11 - [ ] - [ ] - [ ] - [ ] - [ ] - [ ] - [ ] - [ ] - [ ] - [ ] - [ ]

**Delivery (LIUM)**

AX	Complete connection
AF	Weld fitting
AS	Sealing element
AC	Clip
AN	Nut
AL	Securing ring
AB	Cover
IA	Ingold with sterile cap, complete with fuse
IB	Ingold with non-sterile stopper, complete with fuse
IK	Ingold with sterile cap, complete without fuse
IL	Ingold with non-sterile, complete plug without a fuse
IC	Asepto sample removal system, complete (without support)
ID	Asepto sample removal system, complete (with support)
IE	Asepto sample removal system, complete with Clamp
IF	Asepto sample removal system, complete with Clamp and flow tube
IG	Security Ingold
IH	Ingold safety plugs
II	Ingold-Adapter für PH-Sensor
IJ	Ingold Adapter for PH sensor
IM	Ingold with straight inner contour

**Connection Type (VRBT)**

CA	Terminal connection acc.to DIN 32676-A
CG	Terminal connection without Norm like DIN 32676
CH	Aseptic clamp connection acc. to DIN 11864-3 Form A
CI	BBS Quick Connect Terminal connection
00	without connection element
XX	Mixture of different compounds
WA	Weld connection acc. to DIN 11850 Series 2 / DIN 11866 Series A
WB	Weld connection acc. to DIN EN ISO 1127 / ISO 4200 / DIN 11866 Series B
WC	Weld connection acc. to ASME BPE / DIN 11866 Series C
WE	Weld connection acc. to SMS 3008
DA	Weld connection Ingold, Ø 45
DB	Weld connection Ingold, Ø 60

**Seal Material (DWST)**

AB	EPDM
FE	FEP

**Material (WKST)**

VA	316L - Cold formed
VG	AISI 316L- investment cast
VI	1.4435 acc. to BN2 and 316L acc. to ASME BPE table DT3

<b>Orifice (DN)</b>
25,0
40,0

**Internal polishing**

NO10	int. electro polished (Standard) Ra = 0,8 µm
------	--

**Certificate**

NK52	3.1 Certificate (Standard)
------	----------------------------

**Characteristic function of size (KGFT)**

SA	Secure Ingold
SB	Secure Ingold, with facet
SC	Secure Ingold, with 15° angle
SD	Secure Ingold. with Clamp
SE	Ingold (without security contour)
PA	Sterile plug with fuse
PB	Sterile plug without a fuse
PC	Non Sterile plug with fuse
PD	Non Sterile plug without fuse

**Size "functional part" (BGFT)**

IAA	Ingold size D=25, Plug length L=46
IAB	Ingold size D=25, Plug length L=40
IAC	Ingold size D=25, Plug length L=50
IAD	Ingold size D=25, Plug length L=53
IAE	Ingold size D=25, Plug length L=56
IAF	Ingold size D=25, Plug length L=48
IAG	Ingold size D=25, Plug length L=37
IAH	Ingold size D=25, Plug length L=30
IAI	Ingold size D=25, Plug length L=45
IBA	Ingold size D=40, Plug length L=48
IBB	Ingold size D=40, Plug length L=52
ICA	Sample removal system, Size 1

**Connection (VRB)**

C01	Clamp ø25.0mm
C03	Clamp ø50.5mm
T09	Thread M56x2.0
T41	Thread G 1/8
T42	Thread G 1/4
T43	Thread G 3/8
T44	Thread G 1/2
T45	Thread G 3/4
T46	Thread G 1
T47	Thread G 1 1/4
T48	Thread G 1 1/2
T49	Thread G 2
T50	Thread G 2 1/2
T51	Thread G 3
T52	Thread G 4
T53	Thread G 5
T54	Thread G 6

**Weld connection (LTA)**

TR01	Clamp 25,0 acc. to DIN 32676 with inner diam. 8mm
TR02	Clamp 50,5 acc. to DIN 32676 with inner diam. 8mm
TR03	Clamp 50,5 acc. to DIN 32676 with inner diam. 25mm
TR04	Clamp 64,0 acc. to DIN 32676 with inner diam. 40mm

**BBS-11**  
**Safety**  
**ingold sockets**

**bürkert**