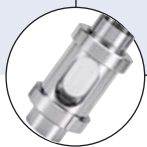


## Strainers



- Suitable for all BBS sterile connections
- Also available for all sterile connections acc. to DIN 11864
- Component of the BBS modular system
- High flexibility

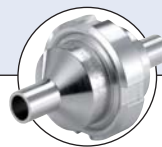
Hygienic Processing components...



**Type BBS-3F**  
Flow indicator



**Type BBS-04**  
Silicone Hose



**Type BBS-10**  
Check valve



**Type BBS-05**  
Clamp connection



**Type BBS-06**  
Flange



**Type 2103**  
Diaphragm valve

The standard strainers are just one of the products from the BBS Systems Bio Modular System. The standard strainers can be combined with nearly all the BBS modular components according to standard tube dimensions used within hygienic processing applications.

They come with a standard range of mesh sizes but customized mesh sizes are available on request for specific application demands. In addition the choice of o-ring material is flexible and they can be retro fitted quickly if needed.

The BBS-Systems standard strainers are:

- Self-holding O-Ring/Standard O-Ring
- Seal parts guaranteed zero dead volume
- Self centering
- Suitable for mounting according to flow direction

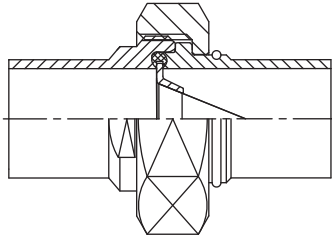
### Applications

- Biotechnology
- Pharmaceutical
- Chemical industry
- Diary
- Food
- Cosmetic

Technical data	
<b>Available standard sizes</b>	ISO DN08 to DN125 DIN DN10 to DN150 BS-OD DN1/2" to DN4"
<b>Material medium contact</b>	Support ring made of stainless steel 1.4435 BN2 (316L) Mesh made of 1.4404 (316L) Special materials e.g. Hastelloy 2.4602, Titanium, 1.4539 etc. on request
<b>Seals</b>	O-Ring, Silicone, EPDM, PTFE, special sealing material e.g. FFKM, etc. on request
<b>Surface quality</b>	Medium contacted surface < Ra 0,8µm, electro polished, finer surface on request
<b>Operating temperature</b>	EPDM seal material: -40°C to 90°C, temporary to 140°C PTFE seal material: -60°C to 160°C, temporary to 205°C
<b>Ambient temperature</b>	-20 to +80 °C
<b>Media</b>	Gases or liquids
<b>Operating pressure</b>	-1 to +16 bar (depending on Temperature) ISO DN08 to DN25 = 40 bar ISO DN32 to DN125 = 25 bar DIN DN10 to DN40 = 40 bar DIN DN50 to DN150 = 25 bar BS-OD DN1/2" to DN1 1/2" = 40 bar BS-OD DN2" to DN4" = 25 bar
<b>Strainer mesh size</b>	Standard mesh size 100 µm, 250 µm, 400 µm Other sizes on request 30 µm to 2000 µm
<b>Certifications</b>	Material 3.1, FDA, USP VI

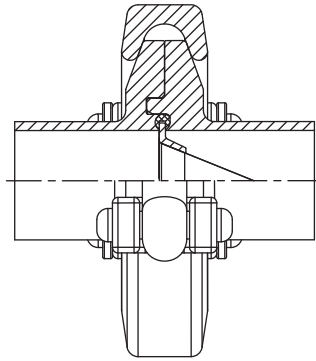
**Strainers for BBS sterile connections (Pages 3 to 5)**

Suitable for all BBS sterile connections



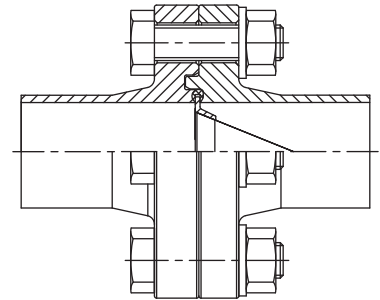
**BBS-03 Sterile Union**

ISO DN08 to DN50  
DIN DN10 to DN50  
BS-OD DN1/4" to DN2"



**BBS-05 Quick-Connect**

ISO DN08 to DN100  
DIN DN10 to DN100  
BS-OD DN1/2" to DN4"

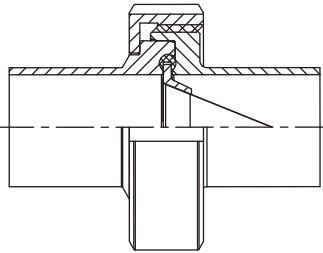


**BBS-06 Sterile orbital flange**

ISO DN08 to DN125  
DIN DN10 to DN100  
BS-OD DN1/2" to DN4"

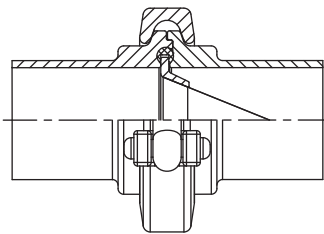
**Strainers for aseptic connection (Page 6 to 8)**

Suitable for all connections acc. to DIN 11864-1 to 3



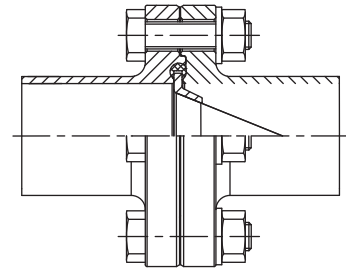
**BBS-03 Aseptic threaded connection  
acc. to DIN 11864-1**

ISO DN08 to DN80  
DIN DN10 to DN100  
BS-OD DN1/2" to DN4"



**BBS-05 Aseptic clamp connection  
acc. to DIN 11864-3**

ISO DN08 to DN80  
DIN DN10 to DN100  
BS-OD DN1/2" to DN4"

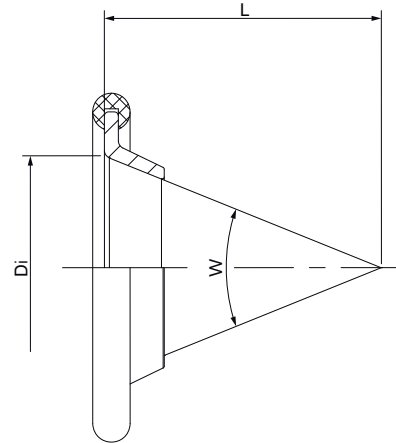


**BBS-06 Aseptic flange connection  
acc. to DIN 11864-2**

ISO DN08 to DN100  
DIN DN10 to DN150  
BS-OD DN1/2" to DN4"

**Dimension [mm] Strainers for BBS sterile connections**

Orifice	Di [mm]	L [mm]	W [°]	Item no. Mesh size 100µm	
<b>ISO Dimensions Strainers (c/w Silicone O-Ring)</b>					
DN08	8,10	10,00	44,00	BBS-10-28.N08.100.35.1	(734 448)
DN10	12,70	15,70	44,00	BBS-10-28.N10.100.35.1	(734 457)
DN15	16,00	19,80	44,00	BBS-10-28.N15.100.35.1	(734 461)
DN20	21,00	26,00	44,00	BBS-10-28.N20.100.35.1	(734 480)
DN25	28,00	34,70	44,00	BBS-10-28.N25.100.35.1	(734 486)
DN32	36,00	44,60	44,00	BBS-10-28.N32.100.35.1	(734 501)
DN40	42,00	52,00	44,00	BBS-10-28.N40.100.35.1	(734 511)
DN50	55,00	68,00	44,00	BBS-10-28.N50.100.35.1	(734 520)
DN65	69,50	80,00	44,00	BBS-10-28.N65.100.35.1	(734 542)
DN80	81,00	100,00	44,00	BBS-10-28.N80.100.35.1	(734 560)



Orifice	Di [mm]	L [mm]	W [°]	Item no. Mesh size 250µm		Item no. Mesh size 400µm	
<b>ISO Dimensions Strainers (c/w Silicone O-Ring)</b>							
DN08	8,10	10,00	44,00	BBS-10-28.N08.250.35.1	(on request)	BBS-10-28.N08.400.35.1	(on request)
DN10	12,70	15,70	44,00	BBS-10-28.N10.250.35.1	(on request)	BBS-10-28.N10.400.35.1	(on request)
DN15	16,00	19,80	44,00	BBS-10-28.N15.250.35.1	(734 465)	BBS-10-28.N15.400.35.1	(734 468)
DN20	21,00	26,00	44,00	BBS-10-28.N20.250.35.1	(on request)	BBS-10-28.N20.400.35.1	(on request)
DN25	28,00	34,70	44,00	BBS-10-28.N25.250.35.1	(734 492)	BBS-10-28.N25.400.35.1	(734 495)
DN32	36,00	44,60	44,00	BBS-10-28.N32.250.35.1	(on request)	BBS-10-28.N32.400.35.1	(734 504)
DN40	42,00	52,00	44,00	BBS-10-28.N40.250.35.1	(on request)	BBS-10-28.N40.400.35.1	(734 514)
DN50	55,00	68,00	44,00	BBS-10-28.N50.250.35.1	(734 527)	BBS-10-28.N50.400.35.1	(734 533)
DN65	69,50	80,00	44,00	BBS-10-28.N65.250.35.1	(on request)	BBS-10-28.N65.400.35.1	(734 553)
DN80	81,00	100,00	44,00	BBS-10-28.N80.250.35.1	(734 563)	BBS-10-28.N80.400.35.1	(734 570)

Orifice	Item no. Silicone		Item no. EPDM		Item no. PTFE	
<b>ISO Replacement O-Rings for sterile strainers</b>						
DN08	BBS-02-01.N08.VS.SI.1	(731 002)	BBS-02-01.N08.VS.EP.0	(743 465)	BBS-02-01.N08.VS.PT.3	(on request)
DN10	BBS-02-01.N10.VS.SI.1	(731 029)	BBS-02-01.N10.VS.EP.0	(743 255)	BBS-02-01.N10.VS.PT.3	(on request)
DN15	BBS-02-01.N15.VS.SI.1	(731 087)	BBS-02-01.N15.VS.EP.0	(743 409)	BBS-02-01.N15.VS.PT.3	(on request)
DN20	BBS-02-01.N20.VS.SI.1	(731 130)	BBS-02-01.N20.VS.EP.0	(on request)	BBS-02-01.N20.VS.PT.3	(on request)
DN25	BBS-02-01.N25.VS.SI.1	(731 175)	BBS-02-01.N25.VS.EP.0	(on request)	BBS-02-01.N25.VS.PT.3	(on request)
DN32	BBS-02-01.N32.VS.SI.1	(731 210)	BBS-02-01.N32.VS.EP.0	(on request)	BBS-02-01.N32.VS.PT.3	(on request)
DN40	BBS-02-01.N40.VS.SI.1	(731 242)	BBS-02-01.N40.VS.EP.0	(on request)	BBS-02-01.N40.VS.PT.3	(on request)
DN50	BBS-02-01.N50.VS.SI.1	(731 283)	BBS-02-01.N50.VS.EP.0	(on request)	BBS-02-01.N50.VS.PT.3	(on request)
DN65	BBS-02-01.N65.VS.SI.1	(731 307)	BBS-02-01.N65.VS.EP.0	(on request)	BBS-02-01.N65.VS.PT.3	(on request)
DN80	BBS-02-01.N80.VS.SI.1	(731 334)	BBS-02-01.N80.VS.EP.0	(on request)	BBS-02-01.N80.VS.PT.3	(on request)



**Dimension [mm] Strainers for BBS sterile connections**

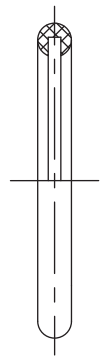
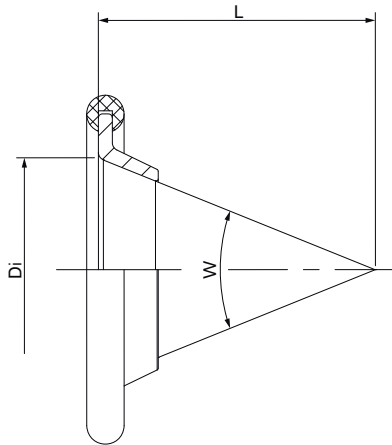
Orifice	Di [mm]	L [mm]	W [°]	Item no. Mesh size 100µm	
<b>DIN Dimensions Strainers (c/w Silicone O-Ring)</b>					
DN10	8,10	10,00	44,00	BBS-10-28.D10.100.35.1	(on request)
DN15	16,00	19,80	44,00	BBS-10-28.D15.100.35.1	(on request)
DN20	on request		44,00	BBS-10-28.D20.100.35.1	(on request)
DN25	23,00	28,50	44,00	BBS-10-28.D25.100.35.1	(on request)
DN32	on request		44,00	BBS-10-28.D32.100.35.1	(on request)
DN40	35,00	43,30	44,00	BBS-10-28.D40.100.35.1	(on request)
DN50	46,00	57,00	44,00	BBS-10-28.D50.100.35.1	(on request)
DN65	on request		44,00	BBS-10-28.D65.100.35.1	(on request)
DN80	78,00	96,50	44,00	BBS-10-28.D80.100.35.1	(on request)

Orifice	Di [mm]	L [mm]	W [°]	Item no. Mesh size 250µm		Item no. Mesh size 400µm	
<b>DIN Dimensions Strainers (c/w Silicone O-Ring)</b>							
DN10	8,10	10,00	44,00	BBS-10-28.D10.250.35.1	(on request)	BBS-10-28.D10.400.35.1	(on request)
DN15	16,00	19,80	44,00	BBS-10-28.D15.250.35.1	(734 393)	BBS-10-28.D15.400.35.1	(on request)
DN20	on request		44,00	BBS-10-28.D20.250.35.1	(on request)	BBS-10-28.D20.400.35.1	(on request)
DN25	23,00	28,50	44,00	BBS-10-28.D25.250.35.1	(on request)	BBS-10-28.D25.400.35.1	(743 146)
DN32	on request		44,00	BBS-10-28.D32.250.35.1	(on request)	BBS-10-28.D32.400.35.1	(on request)
DN40	35,00	43,30	44,00	BBS-10-28.D40.250.35.1	(734 407)	BBS-10-28.D40.400.35.1	(734 411)
DN50	46,00	57,00	44,00	BBS-10-28.D50.250.35.1	(on request)	BBS-10-28.D50.400.35.1	(734 421)
DN65	on request		44,00	BBS-10-28.D65.250.35.1	(on request)	BBS-10-28.D65.400.35.1	(on request)
DN80	78,00	96,50	44,00	BBS-10-28.D80.250.35.1	(on request)	BBS-10-28.D80.400.35.1	(on request)

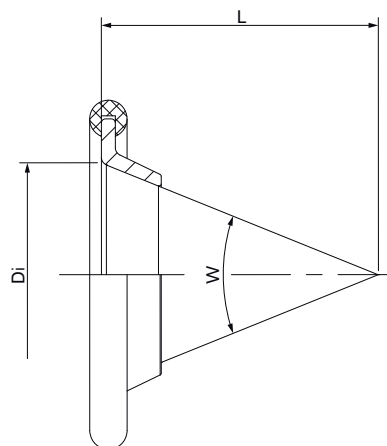
  

Orifice	Item no. Silicone		Item no. EPDM		Item no. PTFE	
<b>DIN Replacement O-Rings for sterile strainers</b>						
DN10	BBS-02-01.D10.VS.SI.1	(730 387)	BBS-02-01.D10.VS.EP.0	(on request)	BBS-02-01.D10.VS.PT.3	(on request)
DN15	BBS-02-01.D15.VS.SI.1	(730 441)	BBS-02-01.D15.VS.EP.0	(on request)	BBS-02-01.D15.VS.PT.3	(on request)
DN20	BBS-02-01.D20.VS.SI.1	(730 485)	BBS-02-01.D20.VS.EP.0	(on request)	BBS-02-01.D20.VS.PT.3	(on request)
DN25	BBS-02-01.D25.VS.SI.1	(730 523)	BBS-02-01.D25.VS.EP.0	(on request)	BBS-02-01.D25.VS.PT.3	(on request)
DN32	BBS-02-01.D32.VS.SI.1	(730 571)	BBS-02-01.D32.VS.EP.0	(on request)	BBS-02-01.D32.VS.PT.3	(on request)
DN40	BBS-02-01.D40.VS.SI.1	(730 595)	BBS-02-01.D40.VS.EP.0	(on request)	BBS-02-01.D40.VS.PT.3	(on request)
DN50	BBS-02-01.D50.VS.SI.1	(730 632)	BBS-02-01.D50.VS.EP.0	(on request)	BBS-02-01.D50.VS.PT.3	(on request)
DN65	BBS-02-01.D65.VS.SI.1	(730 673)	BBS-02-01.D65.VS.EP.0	(on request)	BBS-02-01.D65.VS.PT.3	(on request)
DN80	BBS-02-01.D80.VS.SI.1	(730 696)	BBS-02-01.D80.VS.EP.0	(on request)	BBS-02-01.D80.VS.PT.3	(on request)



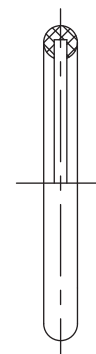
**Dimension [mm] Strainers for BBS sterile connections**

Orifice	Di [mm]	L [mm]	W [°]	Item no. Mesh size 100µm	
<b>BS-OD Dimensions Strainers (c/w Silicone O-Ring)</b>					
DN1/2"	8,10	10,00	44,00	BBS-10-28.K05.100.35.1	(on request)
DN3/4"	14,00	17,30	44,00	BBS-10-28.K07.100.35.1	(on request)
DN1"	on request		44,00	BBS-10-28.K10.100.35.1	(on request)
DN1 1/2"	on request		44,00	BBS-10-28.K15.100.35.1	(on request)
DN2"	44,40	55,00	44,00	BBS-10-28.K20.100.35.1	(on request)
DN2 1/2"	on request		44,00	BBS-10-28.K25.100.35.1	(on request)
DN3"	on request		44,00	BBS-10-28.K30.100.35.1	(on request)
DN4"	on request		44,00	BBS-10-28.K40.100.35.1	(on request)



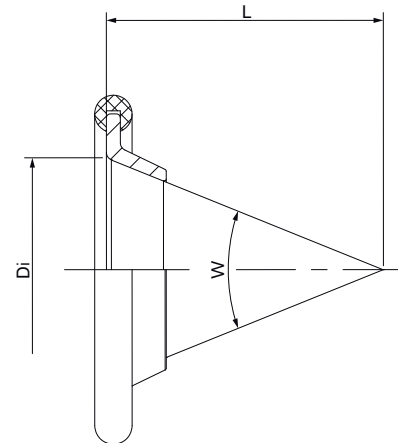
Orifice	Di [mm]	L [mm]	W [°]	Item no. Mesh size 250µm		Item no. Mesh size 400µm	
<b>BS-OD Dimensions Strainers (c/w Silicone O-Ring)</b>							
DN1/2"	8,10	10,00	44,00	BBS-10-28.K05.250.35.1	(on request)	BBS-10-28.K05.400.35.1	(on request)
DN3/4"	14,00	17,30	44,00	BBS-10-28.K07.250.35.1	(on request)	BBS-10-28.K07.400.35.1	(on request)
DN1"	on request		44,00	BBS-10-28.K10.250.35.1	(on request)	BBS-10-28.K10.400.35.1	(on request)
DN1 1/2"	on request		44,00	BBS-10-28.K15.250.35.1	(on request)	BBS-10-28.K15.400.35.1	(on request)
DN2"	44,40	55,00	44,00	BBS-10-28.K20.250.35.1	(on request)	BBS-10-28.K20.400.35.1	(734 445)
DN2 1/2"	on request		44,00	BBS-10-28.K25.250.35.1	(on request)	BBS-10-28.K25.400.35.1	(on request)
DN3"	on request		44,00	BBS-10-28.K30.250.35.1	(on request)	BBS-10-28.K30.400.35.1	(on request)
DN4"	on request		44,00	BBS-10-28.K40.250.35.1	(on request)	BBS-10-28.K40.400.35.1	(on request)

Orifice	Item no. Silicone		Item no. EPDM		Item no. PTFE	
<b>BS-OD Replacement O-Rings for sterile strainers</b>						
DN1/2"	BBS-02-01.K05.VS.SI.1	(on request)	BBS-02-01.K05.VS.EP.0	(on request)	BBS-02-01.K05.VS.PT.3	(on request)
DN3/4"	BBS-02-01.K07.VS.SI.1	(on request)	BBS-02-01.K07.VS.EP.0	(on request)	BBS-02-01.K07.VS.PT.3	(on request)
DN1"	BBS-02-01.K10.VS.SI.1	(730 833)	BBS-02-01.K10.VS.EP.0	(on request)	BBS-02-01.K10.VS.PT.3	(on request)
DN1 1/2"	BBS-02-01.K15.VS.SI.1	(730 865)	BBS-02-01.K15.VS.EP.0	(on request)	BBS-02-01.K15.VS.PT.3	(on request)
DN2"	BBS-02-01.K20.VS.SI.1	(730 888)	BBS-02-01.K20.VS.EP.0	(on request)	BBS-02-01.K20.VS.PT.3	(on request)
DN2 1/2"	BBS-02-01.K25.VS.SI.1	(730 911)	BBS-02-01.K25.VS.EP.0	(on request)	BBS-02-01.K25.VS.PT.3	(on request)
DN3"	BBS-02-01.K30.VS.SI.1	(on request)	BBS-02-01.K30.VS.EP.0	(on request)	BBS-02-01.K30.VS.PT.3	(on request)
DN4"	BBS-02-01.K40.VS.SI.1	(on request)	BBS-02-01.K40.VS.EP.0	(on request)	BBS-02-01.K40.VS.PT.3	(on request)



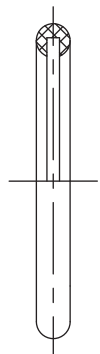
**Dimension [mm] Strainers for aseptic connections**

Orifice	Di [mm]	L [mm]	W [°]	Item no. Mesh size 100µm	
<b>ISO Dimensions Strainers (c/w Silicone O-Ring)</b>					
DN08	8,10	10,00	44,00	BBS-10-28.N08.100D.35.1	(on request)
DN10	12,70	15,70	44,00	BBS-10-28.N10.100D.35.1	(on request)
DN15	16,00	19,80	44,00	BBS-10-28.N15.100D.35.1	(on request)
DN20	21,00	26,00	44,00	BBS-10-28.N20.100D.35.1	(on request)
DN25	28,00	34,70	44,00	BBS-10-28.N25.100D.35.1	(on request)
DN32	34,00	42,00	44,00	BBS-10-28.N32.100D.35.1	(on request)
DN40	40,00	49,50	44,00	BBS-10-28.N40.100D.35.1	(on request)
DN50	53,00	65,50	44,00	BBS-10-28.N50.100D.35.1	(on request)
DN65	67,50	83,50	44,00	BBS-10-28.N65.100D.35.1	(on request)
DN80	81,00	102,00	44,00	BBS-10-28.N80.100D.35.1	(on request)



Orifice	Di [mm]	L [mm]	W [°]	Item no. Mesh size 250µm		Item no. Mesh size 400µm	
<b>ISO Dimensions Strainers (c/w Silicone O-Ring)</b>							
DN08	8,10	10,00	44,00	BBS-10-28.N08.250D.35.1	(on request)	BBS-10-28.N08.400D.35.1	(734 454)
DN10	12,70	15,70	44,00	BBS-10-28.N10.250D.35.1	(on request)	BBS-10-28.N10.400D.35.1	(734 460)
DN15	16,00	19,80	44,00	BBS-10-28.N15.250D.35.1	(on request)	BBS-10-28.N15.400D.35.1	(734 471)
DN20	21,00	26,00	44,00	BBS-10-28.N20.250D.35.1	(on request)	BBS-10-28.N20.400D.35.1	(734 483)
DN25	28,00	34,70	44,00	BBS-10-28.N25.250D.35.1	(on request)	BBS-10-28.N25.400D.35.1	(734 498)
DN32	34,00	42,00	44,00	BBS-10-28.N32.250D.35.1	(on request)	BBS-10-28.N32.400D.35.1	(734 508)
DN40	40,00	49,50	44,00	BBS-10-28.N40.250D.35.1	(on request)	BBS-10-28.N40.400D.35.1	(734 517)
DN50	53,00	65,50	44,00	BBS-10-28.N50.250D.35.1	(on request)	BBS-10-28.N50.400D.35.1	(734 536)
DN65	67,50	83,50	44,00	BBS-10-28.N65.250D.35.1	(734 551)	BBS-10-28.N65.400D.35.1	(734 556)
DN80	81,00	102,00	44,00	BBS-10-28.N80.250D.35.1	(on request)	BBS-10-28.N80.400D.35.1	(734 573)

Orifice	Item no. Silicone		Item no. EPDM		Item no. PTFE	
<b>ISO Replacement O-Rings for aseptic strainers</b>						
DN08	BBS-02-01.N08.VS.64.SI.1	(on request)	BBS-02-01.N08.VS.64.EP.0	(on request)	BBS-02-01.N08.VS.64.PT.3	(on request)
DN10	BBS-02-01.N10.VS.64.SI.1	(731 027)	BBS-02-01.N10.VS.64.EP.0	(743 140)	BBS-02-01.N10.VS.64.PT.3	(on request)
DN15	BBS-02-01.N15.VS.64.SI.1	(731 085)	BBS-02-01.N15.VS.64.EP.0	(on request)	BBS-02-01.N15.VS.64.PT.3	(on request)
DN20	BBS-02-01.N20.VS.64.SI.1	(731 128)	BBS-02-01.N20.VS.64.EP.0	(on request)	BBS-02-01.N20.VS.64.PT.3	(on request)
DN25	BBS-02-01.N25.VS.64.SI.1	(731 173)	BBS-02-01.N25.VS.64.EP.0	(on request)	BBS-02-01.N25.VS.64.PT.3	(on request)
DN32	BBS-02-01.N32.VS.64.SI.1	(731 208)	BBS-02-01.N32.VS.64.EP.0	(on request)	BBS-02-01.N32.VS.64.PT.3	(on request)
DN40	BBS-02-01.N40.VS.64.SI.1	(731 240)	BBS-02-01.N40.VS.64.EP.0	(on request)	BBS-02-01.N40.VS.64.PT.3	(on request)
DN50	BBS-02-01.N50.VS.64.SI.1	(731 281)	BBS-02-01.N50.VS.64.EP.0	(on request)	BBS-02-01.N50.VS.64.PT.3	(on request)
DN65	BBS-02-01.N65.VS.64.SI.1	(731 306)	BBS-02-01.N65.VS.64.EP.0	(on request)	BBS-02-01.N65.VS.64.PT.3	(on request)
DN80	BBS-02-01.N80.VS.64.SI.1	(731 334)	BBS-02-01.N80.VS.64.EP.0	(on request)	BBS-02-01.N80.VS.64.PT.3	(on request)



**Dimension [mm] Strainers for aseptic connections**

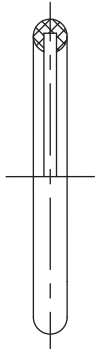
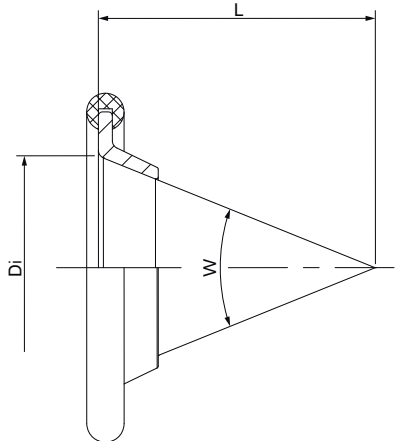
Orifice	Di [mm]	L [mm]	W [°]	Item no. Mesh size 100µm	
<b>DIN Dimensions Strainers (c/w Silicone O-Ring)</b>					
DN10	8,10	10,00	44,00	BBS-10-28.D10.100D.35.1	(on request)
DN15	16,00	19,80	44,00	BBS-10-28.D15.100D.35.1	(on request)
DN20	on request		44,00	BBS-10-28.D20.100D.35.1	(on request)
DN25	23,00	28,50	44,00	BBS-10-28.D25.100D.35.1	(on request)
DN32	on request		44,00	BBS-10-28.D32.100D.35.1	(on request)
DN40	35,00	43,30	44,00	BBS-10-28.D40.100D.35.1	(on request)
DN50	46,00	57,00	44,00	BBS-10-28.D50.100D.35.1	(on request)
DN65	on request		44,00	BBS-10-28.D65.100D.35.1	(on request)
DN80	78,00	96,50	44,00	BBS-10-28.D80.100D.35.1	(on request)

Orifice	Di [mm]	L [mm]	W [°]	Item no. Mesh size 250µm		Item no. Mesh size 400µm	
<b>DIN Dimensions Strainers (c/w Silicone O-Ring)</b>							
DN10	8,10	10,00	44,00	BBS-10-28.D10.250D.35.1	(on request)	BBS-10-28.D10.400D.35.1	(on request)
DN15	16,00	19,80	44,00	BBS-10-28.D15.250D.35.1	(on request)	BBS-10-28.D15.400D.35.1	(on request)
DN20	on request		44,00	BBS-10-28.D20.250D.35.1	(on request)	BBS-10-28.D20.400D.35.1	(on request)
DN25	23,00	28,50	44,00	BBS-10-28.D25.250D.35.1	(on request)	BBS-10-28.D25.400D.35.1	(on request)
DN32	on request		44,00	BBS-10-28.D32.250D.35.1	(on request)	BBS-10-28.D32.400D.35.1	(on request)
DN40	35,00	43,30	44,00	BBS-10-28.D40.250D.35.1	(on request)	BBS-10-28.D40.400D.35.1	(743 202)
DN50	46,00	57,00	44,00	BBS-10-28.D50.250D.35.1	(743 405)	BBS-10-28.D50.400D.35.1	(734 414)
DN65	on request		44,00	BBS-10-28.D65.250D.35.1	(734 431)	BBS-10-28.D65.400D.35.1	(on request)
DN80	78,00	96,50	44,00	BBS-10-28.D80.250D.35.1	(on request)	BBS-10-28.D80.400D.35.1	(on request)

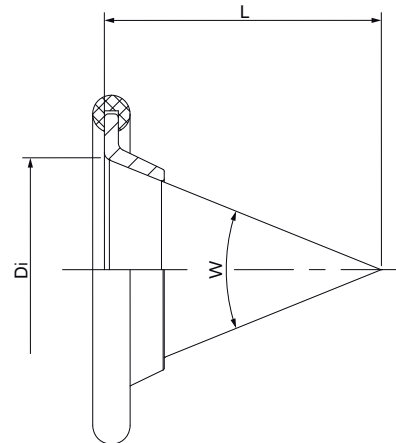
  

Orifice	Item no. Silicone		Item no. EPDM		Item no. PTFE	
<b>DIN Replacement O-Rings for aseptic strainers</b>						
DN10	BBS-02-01.D10.VS.64.SI.1	(on request)	BBS-02-01.D10.VS.64.EP.0	(on request)	BBS-02-01.D10.VS.64.PT.3	(on request)
DN15	BBS-02-01.D15.VS.64.SI.1	(on request)	BBS-02-01.D15.VS.64.EP.0	(on request)	BBS-02-01.D15.VS.64.PT.3	(on request)
DN20	BBS-02-01.D20.VS.64.SI.1	(on request)	BBS-02-01.D20.VS.64.EP.0	(on request)	BBS-02-01.D20.VS.64.PT.3	(on request)
DN25	BBS-02-01.D25.VS.64.SI.1	(on request)	BBS-02-01.D25.VS.64.EP.0	(on request)	BBS-02-01.D25.VS.64.PT.3	(on request)
DN32	BBS-02-01.D32.VS.64.SI.1	(on request)	BBS-02-01.D32.VS.64.EP.0	(on request)	BBS-02-01.D32.VS.64.PT.3	(on request)
DN40	BBS-02-01.D40.VS.64.SI.1	(on request)	BBS-02-01.D40.VS.64.EP.0	(on request)	BBS-02-01.D40.VS.64.PT.3	(on request)
DN50	BBS-02-01.D50.VS.64.SI.1	(730 630)	BBS-02-01.D50.VS.64.EP.0	(on request)	BBS-02-01.D50.VS.64.PT.3	(on request)
DN65	BBS-02-01.D65.VS.64.SI.1	(730 671)	BBS-02-01.D65.VS.64.EP.0	(on request)	BBS-02-01.D65.VS.64.PT.3	(on request)
DN80	BBS-02-01.D80.VS.64.SI.1	(on request)	BBS-02-01.D80.VS.64.EP.0	(on request)	BBS-02-01.D80.VS.64.PT.3	(on request)



**Dimension [mm] Strainers for aseptic connections**

Orifice	Di [mm]	L [mm]	W [°]	Item no. Maschenweite 100µm	
<b>BS-OD Dimensions Strainers (c/w Silicone O-Ring)</b>					
DN1/2"	8,10	10,00	44,00	BBS-10-28.K05.100D.35.1	(on request)
DN3/4"	14,00	17,30	44,00	BBS-10-28.K07.100D.35.1	(on request)
DN1"	on request		44,00	BBS-10-28.K10.100D.35.1	(on request)
DN1 1/2"	on request		44,00	BBS-10-28.K15.100D.35.1	(on request)
DN2"	44,40	55,00	44,00	BBS-10-28.K20.100D.35.1	(on request)
DN2 1/2"	on request		44,00	BBS-10-28.K25.100D.35.1	(on request)
DN3"	on request		44,00	BBS-10-28.K30.100D.35.1	(on request)
DN4"	on request		44,00	BBS-10-28.K40.100D.35.1	(on request)



Orifice	Di [mm]	L [mm]	W [°]	Item no. Mesh size 250µm		Item no. Mesh size 400µm	
<b>BS-OD Dimensions Strainers (c/w Silicone O-Ring)</b>							
DN1/2"	8,10	10,00	44,00	BBS-10-28.K05.250D.35.1	(on request)	BBS-10-28.K05.400D.35.1	(on request)
DN3/4"	14,00	17,30	44,00	BBS-10-28.K07.250D.35.1	(on request)	BBS-10-28.K07.400D.35.1	(on request)
DN1"	on request		44,00	BBS-10-28.K10.250D.35.1	(on request)	BBS-10-28.K10.400D.35.1	(on request)
DN1 1/2"	on request		44,00	BBS-10-28.K15.250D.35.1	(on request)	BBS-10-28.K15.400D.35.1	(on request)
DN2"	44,40	55,00	44,00	BBS-10-28.K20.250D.35.1	(on request)	BBS-10-28.K20.400D.35.1	(on request)
DN2 1/2"	on request		44,00	BBS-10-28.K25.250D.35.1	(on request)	BBS-10-28.K25.400D.35.1	(on request)
DN3"	on request		44,00	BBS-10-28.K30.250D.35.1	(on request)	BBS-10-28.K30.400D.35.1	(on request)
DN4"	on request		44,00	BBS-10-28.K40.250D.35.1	(on request)	BBS-10-28.K40.400D.35.1	(on request)

Orifice	Item no. Silicone		Item no. EPDM		Item no. PTFE	
<b>BS-OD Replacement O-Rings for aseptic strainers</b>						
DN1/2"	BBS-02-01.K05.VS.64.SI.1	(on request)	BBS-02-01.K05.VS.64.EP.0	(on request)	BBS-02-01.K05.VS.64.PT.3	(on request)
DN3/4"	BBS-02-01.K07.VS.64.SI.1	(on request)	BBS-02-01.K07.VS.64.EP.0	(on request)	BBS-02-01.K07.VS.64.PT.3	(on request)
DN1"	BBS-02-01.K10.VS.64.SI.1	(on request)	BBS-02-01.K10.VS.64.EP.0	(on request)	BBS-02-01.K10.VS.64.PT.3	(on request)
DN1 1/2"	BBS-02-01.K15.VS.64.SI.1	(on request)	BBS-02-01.K15.VS.64.EP.0	(on request)	BBS-02-01.K15.VS.64.PT.3	(on request)
DN2"	BBS-02-01.K20.VS.64.SI.1	(on request)	BBS-02-01.K20.VS.64.EP.0	(on request)	BBS-02-01.K20.VS.64.PT.3	(on request)
DN2 1/2"	BBS-02-01.K25.VS.64.SI.1	(on request)	BBS-02-01.K25.VS.64.EP.0	(on request)	BBS-02-01.K25.VS.64.PT.3	(on request)
DN3"	BBS-02-01.K30.VS.64.SI.1	(on request)	BBS-02-01.K30.VS.64.EP.0	(on request)	BBS-02-01.K30.VS.64.PT.3	(on request)
DN4"	BBS-02-01.K40.VS.64.SI.1	(on request)	BBS-02-01.K40.VS.64.EP.0	(on request)	BBS-02-01.K40.VS.64.PT.3	(on request)

