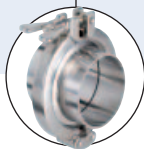


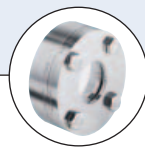
Standard aseptic check valve with weld end



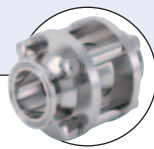
Hygienic Processing components...



Type BBS-05
Quick Connect



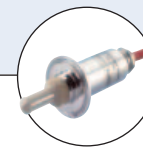
Type BBS-07
Flange block



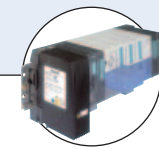
Type BBS-03F
Linear flow indicator



Type 2103
Diaphragm valve



Type 8221
Conductivity sensor



Type 8650
Automation process

- All medium contact materials traceable, traceable seal on request
- Screwed and flanged versions
- Suitable for CIP and SIP (cleaning in process)
- Flow direction selectable
- Component of the BBS modular system

The aseptic check valves are appropriate for fluids and steam sterilisation. The design is so created that the flow direction is selectable, which improves the cost and simplicity of installation significantly. The new standards in the biotechnology and pharmaceutical industry are met.

Their design and processing provide continuous flushing, but it should be mentioned that the valves must be mounted in the standard vertical position in order to ensure complete emptying.

If the unit is to ensure complete drainage in a horizontal position, please refer to our technical datasheet BBS-10 about eccentric check valves. These unique products were designed so that they can be mounted on horizontal pipe lines and are completely draining, while maintaining the properties of a standard check valve.

Applications

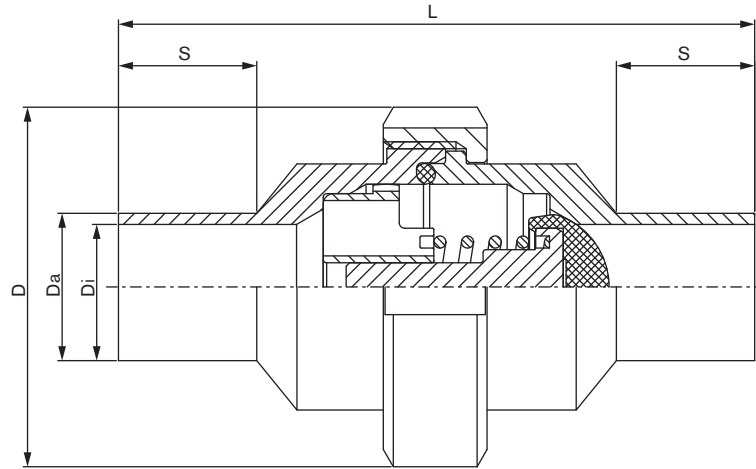
- Biotechnology
- Pharmaceutical
- Chemical industry
- Dairy
- Food
- Cosmetic

Technical data

Available standard sizes	ISO DN08 to DN150 SMS DN15 to DN100 BS-OD DN1/4" to DN6" DIN DN04 to DN150 Customized on request
Material medium contact	Stainless steel 1.4435 BN2 (316L) Check ball made of PTFE Spring: 1.4401 Special materials e.g. Hastelloy 2.4602, Titan, 1.4539 etc. on request
Material medium separated	1.4305 or equivalent
Ball	1.4435 BN2 stainless steel with PTFE-Ball
Seals	O-Ring, EPDM, PTFE, Special sealing materials e.g. Silicone, pure PTFE etc. on request
Surface quality	Medium contacted surface RA < Ra 0,8µm, electro polished, finer surface on request
Operating temperature	-10 to +140 °C (depending on seal material)
Ambient temperature	-20 to +80 °C
Media	Liquids
Design-, operating pressure	-1 to +16 Bar (operating pressure -1 to +8 Bar) Standard opening pressure 0.2 bar higher or lower pressures on request
Applicable Standards	Pipe connection acc. to DIN 11866 ISO-Dimensions Series B (ISO 4200) BS-OD-Dimensions Series C (ASME BPE) DIN-Dimensions Series A (DIN 11850) SMS-Dimensions SMS 3008 Conformity assessment acc. to DGRL 97-25-EG
Certifications	Material 3.1, FDA, USP VI

Dimensions

ck valve screwed with weld end

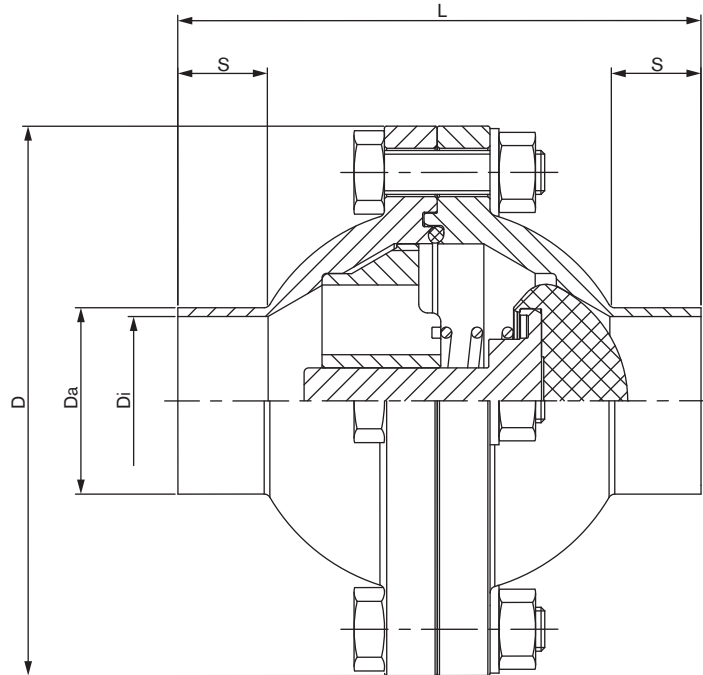


Orifice	D [mm]	Da [mm]	Di [mm]	L [mm]	S [mm]	Item no. EPDM	Item no. FEP
ISO Dimensions Ball check valve screwed with weld end							
DN08	52,00	13,50	10,30	92,00	18,00	BBS-10.RU.W08.W08.35.0 (736 347)	BBS-10.RU.W08.W08.35.3 (736 351)
DN10	52,00	17,20	14,00	92,00	20,00	BBS-10.RU.W10.W10.35.0 (736 359)	BBS-10.RU.W10.W10.35.3 (736 363)
DN15	52,00	21,30	18,10	92,00	20,00	BBS-10.RU.W15.W15.35.0 (736 393)	BBS-10.RU.W15.W15.35.3 (736 401)
DN20	67,00	26,90	23,70	105,00	18,00	BBS-10.RU.W20.W20.35.0 (736 409)	BBS-10.RU.W20.W20.35.3 (736 414)
DN25	67,00	33,70	29,70	105,00	22,00	BBS-10.RU.W25.W25.35.0 (736 433)	BBS-10.RU.W25.W25.35.3 (736 438)
SMS Dimensions Ball check valve screwed with weld end							
DN06	52,00	8,00	6,00	92,00	18,00	BBS-10-RU.V06.V06.35.0 (743 149)	BBS-10-RU.V06.V06.35.3 (736 185)
DN08	52,00	10,00	8,00	92,00	18,00	BBS-10-RU.V08.V08.35.0 (736 189)	BBS-10-RU.V08.V08.35.3 (736 193)
DN10	52,00	12,00	10,00	92,00	18,00	BBS-10-RU.V10.V10.35.0 (on request)	BBS-10-RU.V10.0200.35.3 (736 205)
DN15	52,00	18,00	16,00	92,00	20,00	BBS-10-RU.J15.J15.35.0 (736 114)	BBS-10-RU.J15.J15.35.3 (736 118)
DN20	67,00	22,00	20,00	105,00	18,00	BBS-10-RU.J20.J20.35.0 (on request)	BBS-10-RU.J20.J20.35.3 (on request)
DN25	67,00	25,00	22,60	105,00	18,00	BBS-10-RU.J25.J25.35.0 (736128)	BBS-10-RU.J25.J25.35.3 (736 136)
BS-OD Dimensions Ball check valve screwed with weld end							
DN1/4"	52,00	6,35	4,57	92,00	18,00	BBS-10-RU.Y02.Y02.35.0 (736 505)	BBS-10-RU.Y02.Y02.35.3 (743 727)
DN3/8"	52,00	9,53	7,75	92,00	18,00	BBS-10-RU.Y03.Y03.35.0 (on request)	BBS-10-RU.Y03.Y03.35.3 (743 728)
DN1/2"	52,00	12,70	9,40	92,00	18,00	BBS-10-RU.Y05.Y05.35.0 (736 526)	BBS-10-RU.Y05.Y05.35.3 (736 534)
DN3/4"	52,00	19,05	15,75	92,00	20,00	BBS-10-RU.Y07.Y07.35.0 (on request)	BBS-10-RU.Y07.Y07.35.3 (736 543)
DN1"	67,00	25,40	22,10	105,00	18,00	BBS-10-RU.Y10.Y10.35.0 (736 555)	BBS-10-RU.Y10.Y10.35.3 (736 568)
DIN Dimensions Ball check valve screwed with weld end							
DN04	52,00	6,00	4,00	92,00	18,00	BBS-10-RU.V04.V04.35.0 (on request)	BBS-10-RU.V04.V04.35.3 (736 181)
DN06	52,00	8,00	6,00	92,00	18,00	BBS-10-RU.V06.V06.35.0 (743 149)	BBS-10-RU.V06.V06.35.3 (736 185)
DN08	52,00	10,00	8,00	92,00	18,00	BBS-10-RU.V08.V08.35.0 (736 189)	BBS-10-RU.V08.V08.35.3 (736 193)
DN10	52,00	12,00	10,00	92,00	18,00	BBS-10-RU.V10.0200.35.0 (on request)	BBS-10-RU.V10.0200.35.3 (736 205)
DN10	52,00	13,00	10,00	92,00	18,00	BBS-10-RU.V10.0200.35.0-1 (on request)	BBS-10-RU.V10.0200.35.3-1 (743 424)
DN15	52,00	19,00	16,00	92,00	20,00	BBS-10-RU.V15.V15.35.0 (736 234)	BBS-10-RU.V15.V15.35.3 (736 242)
DN20	67,00	23,00	20,00	105,00	18,00	BBS-10-RU.V20.V20.35.0 (736 254)	BBS-10-RU.V20.V20.35.3 (736 258)
DN25	67,00	29,00	26,00	105,00	18,00	BBS-10-RU.V25.0200.35.0 (736 262)	BBS-10-RU.V25.0200.35.3 (736 271)

Note: Sizes over DN25/DN1" in flange version. Page 3+4

Dimensions

ck valve flanged with weld end

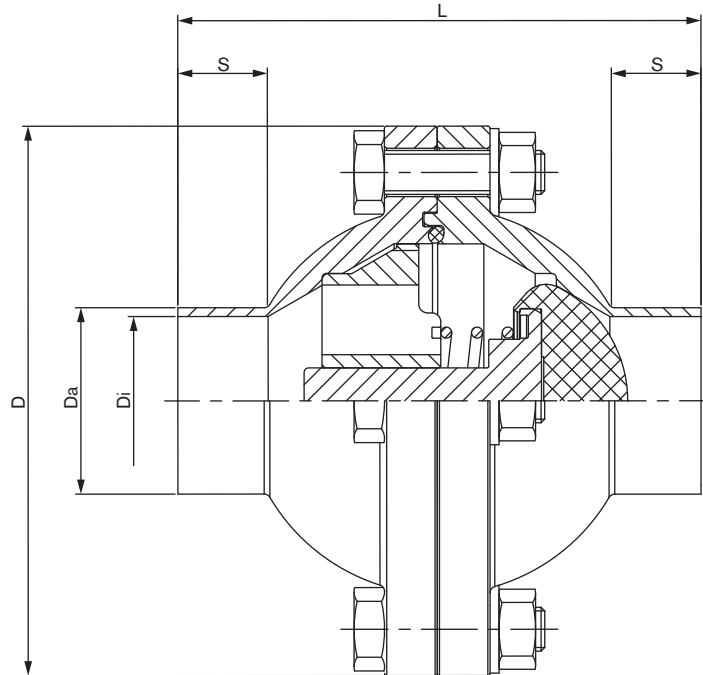


Orifice	D [mm]	Da [mm]	Di [mm]	L [mm]	S [mm]	Item no. EPDM	Item no. FEP
ISO Dimensions Ball check valve flanged with weld end							
DN25	88,00	33,70	29,70	105,00	20,00	BBS-10-RU.W25.FLK.35.0 (on request)	BBS-10-RU.W25.FLK.35.3 (736 426)
DN32	125,00	42,40	38,40	119,00	20,00	BBS-10-RU.W32.FLK.35.0 (on request)	BBS-10-RU.W32.FLK.35.3 (736 446)
DN40	137,00	48,30	44,30	137,00	20,00	BBS-10-RU.W40.FLK.35.0 (on request)	BBS-10-RU.W40.FLK.35.3 (736 467)
DN50	137,00	60,30	56,30	147,00	32,00	BBS-10-RU.W50.FLK.35.0 (on request)	BBS-10-RU.W50.FLK.35.3 (736 480)
DN65	168,00	76,10	72,10	154,00	40,00	BBS-10-RU.W65.FLK.35.0 (on request)	BBS-10-RU.W65.FLK.35.3 (736 493)
DN80	190,00	88,90	84,30	180,00	40,00	BBS-10-RU.W80.FLK.35.0 (on request)	BBS-10-RU.W80.FLK.35.3 (736 497)
DN100	240,00	114,30	109,70	176,00	30,00	BBS-10-RU.W100.FLK.35.0 (on request)	BBS-10-RU.W100.FLK.35.3 (736 368)
DN150	360,00	168,30	163,10	248,00	40,00	BBS-10-RU.W150.FLK.35.0 (on request)	BBS-10-RU.W150.FLK.35.3 (on request)

Orifice	D [mm]	Da [mm]	Di [mm]	L [mm]	S [mm]	Item no. EPDM	Item no. FEP
SMS Dimensions Ball check valve flanged with weld end							
DN32	125,00	32,00	29,60	119,00	20,00	BBS-10-RU.J32.FLK.35.0 (on request)	BBS-10-RU.J32.FLK.35.3 (on request)
DN40	125,00	38,00	35,60	119,00	20,00	BBS-10-RU.J40.FLK.35.0 (743 195)	BBS-10-RU.J40.FLK.35.3 (on request)
DN50	137,00	51,00	48,60	137,00	20,00	BBS-10-RU.J50.FLK.35.0 (743 194)	BBS-10-RU.J50.FLK.35.3 (on request)
DN65	157,00	63,50	60,30	154,00	30,00	BBS-10-RU.J65.FLK.35.0 (736 169)	BBS-10-RU.J65.FLK.35.3 (736 177)
DN80	168,00	76,10	72,90	154,00	40,00	BBS-10-RU.J80.FLK.35.0 (on request)	BBS-10-RU.J80.FLK.35.3 (on request)
DN100	240,00	101,60	97,60	184,00	30,00	BBS-10-RU.J100.FLK.35.0 (on request)	BBS-10-RU.J100.FLK.35.3 (on request)

Dimensions

ck valve flanged with weld end

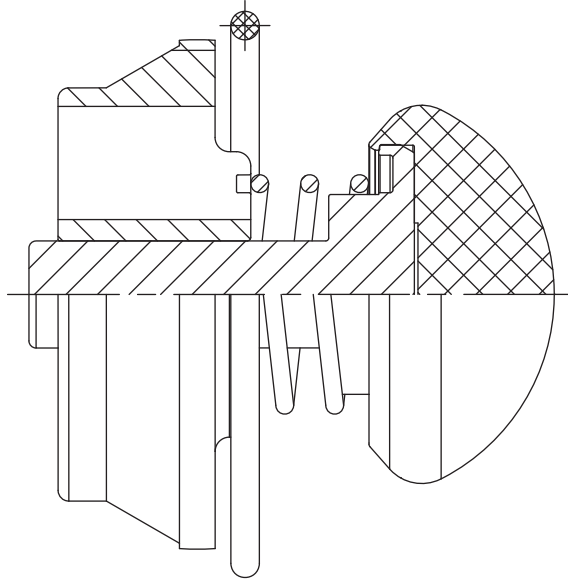


Orifice	D [mm]	Da [mm]	Di [mm]	L [mm]	S [mm]	Item no. EPDM		Item no. FEP	
BS-OD Dimensions Ball check valve flanged with weld end									
DN1 1/2"	125,00	38,10	34,80	159,30	38,00	BBS-10-RU.Y15.FLK.35.0	(736 572)	BBS-10-RU.Y15.FLK.35.3	(736 580)
DN2"	137,00	50,80	47,50	180,40	45,00	BBS-10-RU.Y20.FLK.35.0	(736 596)	BBS-10-RU.Y20.FLK.35.3	(736 600)
DN2 1/2"	168,00	63,50	60,20	163,00	38,00	BBS-10-RU.Y25.FLK.35.0	(736 608)	BBS-10-RU.Y25.FLK.35.3	(736 612)
DN3"	168,00	76,20	72,90	163,00	45,00	BBS-10-RU.Y30.FLK.35.0	(736 616)	BBS-10-RU.Y30.FLK.35.3	(736 620)
DN4"	240,00	101,60	97,38	185,00	38,00	BBS-10-RU.Y40.FLK.35.0	(736 625)	BBS-10-RU.Y40.FLK.35.3	(736 629)
DN6"	360,00	152,40	146,86	248,00	40,00	BBS-10-RU.Y60.FLK.35.0	(736 633)	BBS-10-RU.Y60.FLK.35.3	(on request)

Orifice	D [mm]	Da [mm]	Di [mm]	L [mm]	S [mm]	Item no. EPDM		Item no. FEP	
DIN Dimensions Ball check valve flanged with weld end									
DN32	88,00	35,00	32,00	105,00	22,00	BBS-10-RU.V32.FLK.35.0	(on request)	BBS-10-RU.V32.FLK.35.3	(736 283)
DN40	125,00	41,00	38,00	143,00	25,00	BBS-10-RU.V40.0200.35.0	(on request)	BBS-10-RU.V40.0200.35.3	(736 292)
DN50	137,00	53,00	50,00	147,00	30,00	BBS-10-RU.V50.0200.35.0	(on request)	BBS-10-RU.V50.0200.35.3	(736 304)
DN65	168,00	70,00	66,00	154,00	38,00	BBS-10-RU.V65.0200.35.0	(736 313)	BBS-10-RU.V65.0200.35.3	(736 322)
DN80	190,00	85,00	81,00	180,00	38,00	BBS-10-RU.V80.0200.35.0	(on request)	BBS-10-RU.V80.0200.35.3	(736 334)
DN100	240,00	104,00	100,00	179,00	30,00	BBS-10-RU.V100.0200.35.0	(on request)	BBS-10-RU.V100.0200.35.3	(on request)
DN150	360,00	154,00	150,00	248,00	40,00	BBS-10-RU.V150.0200.35.0	(743 423)	BBS-10-RU.V150.0200.35.3	(on request)

Spare parts

ck valve

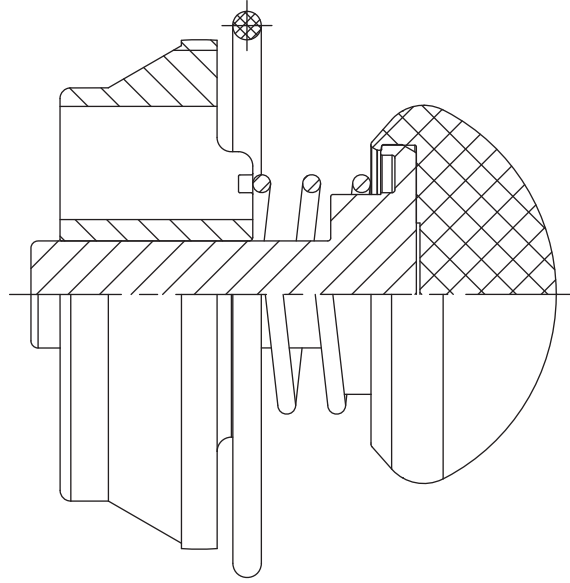


Orifice	Item no. EPDM		Item no. FEP	
ISO Spare parts kit (consisting of support flange, spring, ball cap and O-Ring)				
DN08	BBS-10-RE.V04.W15.35.0	(735 561)	BBS-10-RE.V04.W15.35.3	(735 565)
DN10	BBS-10-RE.V04.W15.35.0	(735 561)	BBS-10-RE.V04.W15.35.3	(735 565)
DN15	BBS-10-RE.V04.W15.35.0	(735 561)	BBS-10-RE.V04.W15.35.3	(735 565)
DN20	BBS-10-RE.W20.W00.35.0	(on request)	BBS-10-RE.W20.W00.35.3	(735 573)
DN25	BBS-10-RE.W25.W00.35.0	(735 577)	BBS-10-RE.W25.W00.35.3	(735 581)
DN32	BBS-10-RE.W32.W00.35.0	(on request)	BBS-10-RE.W32.W00.35.3	(735 585)
DN40	BBS-10-RE.W40.W00.35.0	(on request)	BBS-10-RE.W40.W00.35.3	(735 589)
DN50	BBS-10-RE.W50.W00.35.0	(on request)	BBS-10-RE.W50.W00.35.3	(735 593)
DN65	BBS-10-RE.W65.W00.35.0	(on request)	BBS-10-RE.W65.W00.35.3	(735 597)
DN80	BBS-10-RE.W80.W00.35.0	(on request)	BBS-10-RE.W80.W00.35.3	(735 601)
DN100	BBS-10-RE.W100.W00.35.0	(on request)	BBS-10-RE.W100.W00.35.3	(743 828)
DN150	BBS-10-RE.W150.W00.35.0	(on request)	BBS-10-RE.W150.W00.35.3	(on request)

Orifice	Item no. EPDM		Item no. FEP	
SMS Spare parts kit (consisting of support flange, spring, ball cap and O-Ring)				
DN06	BBS-10-RE.V04.W15.35.0	(735 561)	BBS-10-RE.V04.W15.35.3	(735 565)
DN08	BBS-10-RE.V04.W15.35.0	(735 561)	BBS-10-RE.V04.W15.35.3	(735 565)
DN10	BBS-10-RE.V04.W15.35.0	(735 561)	BBS-10-RE.V04.W15.35.3	(735 565)
DN15	BBS-10-RE.V04.W15.35.0	(735 561)	BBS-10-RE.V04.W15.35.3	(735 565)
DN20	BBS-10-RE.W20.W00.35.0	(on request)	BBS-10-RE.W20.W00.35.3	(735 573)
DN25	BBS-10-RE.W25.W00.35.0	(735 577)	BBS-10-RE.W25.W00.35.3	(735 581)
DN32	BBS-10-RE.W32.W00.35.0	(on request)	BBS-10-RE.W32.W00.35.3	(735 585)
DN40	BBS-10-RE.W40.W00.35.0	(on request)	BBS-10-RE.W40.W00.35.3	(735 589)
DN50	BBS-10-RE.W50.W00.35.0	(on request)	BBS-10-RE.W50.W00.35.3	(735 593)
DN65	BBS-10-RE.J65.W00.35.0	(on request)	BBS-10-RE.J65.W00.35.3	(on request)
DN80	BBS-10-RE.W65.W00.35.0	(on request)	BBS-10-RE.W65.W00.35.3	(735 597)
DN100	BBS-10-RE.W100.W00.35.0	(on request)	BBS-10-RE.W100.W00.35.3	(743 828)

Spare parts

ck valve



Orifice	Item no. EPDM		Item no. FEP	
BS-OD Spare parts kit (consisting of support flange, spring, ball cap and O-Ring)				
DN1/4"	BBS-10-RE.V04.W15.35.0	(735 561)	BBS-10-RE.V04.W15.35.3	(735 565)
DN3/8"	BBS-10-RE.V04.W15.35.0	(735 561)	BBS-10-RE.V04.W15.35.3	(735 565)
DN1/2"	BBS-10-RE.V04.W15.35.0	(735 561)	BBS-10-RE.V04.W15.35.3	(735 565)
DN3/4"	BBS-10-RE.V04.W15.35.0	(735 561)	BBS-10-RE.V04.W15.35.3	(735 565)
DN1"	BBS-10-RE.W20.W00.35.0	(on request)	BBS-10-RE.W20.W00.35.3	(735 573)
DN1 1/2"	BBS-10-RE.W32.W00.35.0	(on request)	BBS-10-RE.W32.W00.35.3	(735 585)
DN2"	BBS-10-RE.W40.W00.35.0	(on request)	BBS-10-RE.W40.W00.35.3	(735 589)
DN2 1/2"	BBS-10-RE.W50.W00.35.0	(on request)	BBS-10-RE.W50.W00.35.3	(735 593)
DN3"	BBS-10-RE.W65.W00.35.0	(on request)	BBS-10-RE.W65.W00.35.3	(735 597)
DN4"	BBS-10-RE.W100.W00.35.0	(on request)	BBS-10-RE.W100.W00.35.3	(743 828)
DN6"	BBS-10-RE.W150.W00.35.0	(on request)	BBS-10-RE.W150.W00.35.3	(on request)

Orifice	Item no. EPDM		Item no. FEP	
DIN Spare parts kit (consisting of support flange, spring, ball cap and O-Ring)				
DN04	BBS-10-RE.V04.W15.35.0	(735 561)	BBS-10-RE.V04.W15.35.3	(735 565)
DN06	BBS-10-RE.V04.W15.35.0	(735 561)	BBS-10-RE.V04.W15.35.3	(735 565)
DN08	BBS-10-RE.V04.W15.35.0	(735 561)	BBS-10-RE.V04.W15.35.3	(735 565)
DN10	BBS-10-RE.V04.W15.35.0	(735 561)	BBS-10-RE.V04.W15.35.3	(735 565)
DN15	BBS-10-RE.V04.W15.35.0	(735 561)	BBS-10-RE.V04.W15.35.3	(735 565)
DN20	BBS-10-RE.W25.W00.35.0	(735 577)	BBS-10-RE.W25.W00.35.3	(735 581)
DN25	BBS-10-RE.W25.W00.35.0	(735 577)	BBS-10-RE.W25.W00.35.3	(735 581)
DN32	BBS-10-RE.W25.W00.35.0	(735 577)	BBS-10-RE.W25.W00.35.3	(735 581)
DN40	BBS-10-RE.W40.W00.35.0	(on request)	BBS-10-RE.W40.W00.35.3	(735 589)
DN50	BBS-10-RE.W50.W00.35.0	(on request)	BBS-10-RE.W50.W00.35.3	(735 593)
DN65	BBS-10-RE.W65.W00.35.0	(on request)	BBS-10-RE.W65.W00.35.3	(735 597)
DN80	BBS-10-RE.W80.W00.35.0	(on request)	BBS-10-RE.W80.W00.35.3	(735 601)
DN100	BBS-10-RE.W100.W00.35.0	(on request)	BBS-10-RE.W100.W00.35.3	(743 828)
DN150	BBS-10-RE.W150.W00.35.0	(on request)	BBS-10-RE.W150.W00.35.3	(on request)