

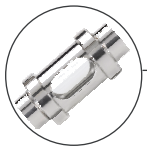


BBS-09 Pneumatic Diaphragm Valves

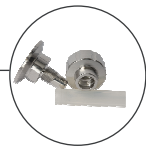
Hygienic Diaphragm Valve with completely stainless steel actuator suitable for the most rugged environments.

- **Fully traceable materials**
- **Part of the BBS modular system**
- **High quality construction**

Hygienic Processing Components.....



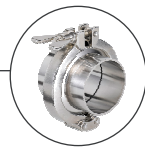
Type BBS-3F
Flow Indicators



Type BBS-04
Hose Systems



Type BBS-10
Ball Check Valves



Type BBS-05
Sterile Quick Connect



Type 8221
Conductivity



Type 8650
Process Automation

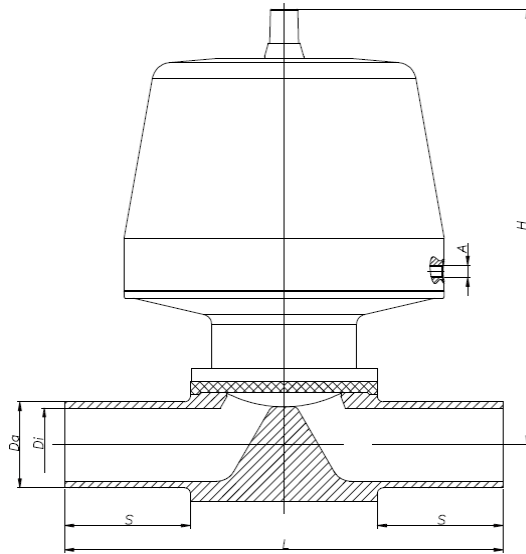
The externally piloted valve consists of a pneumatically operated piston actuator, a diaphragm and a 2 way valve body produced from stainless steel.

The actuator has a complete stainless steel housing and can be used in areas where a high degree of robustness is required. The actuator comes a standard with a visual position indicator; the possibility for additional accessories such as feed back or controllers can be accommodated through combination with any of Bürkert range of such devices.

The valve features self draining (according to installation angle) and offers high flow capacities thus ensuring that a wide variety of applications can be realised.

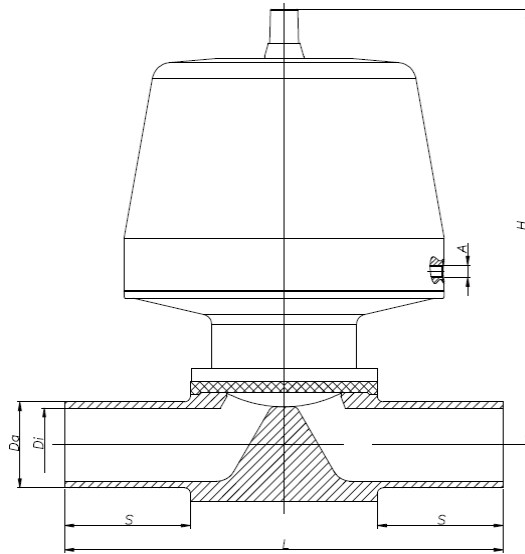
Designed for all hygienic applications.

Technical Overview	
Available Sizes/Standards	ISO DN08 to DN100 DIN DN10....DN100 BSOD/ASME BPE 1/2" to 4" Weld end or Clamp Connection Customer specific on request
Materials	Body: Stainless Steel 316L 1.4435 BN2 Special materials On Request Diaphragm: EPDM, FEP Special materials On Request
Actuator Material	316L Stainless Steel
Internal Surface Finish External Surface Finish	Ra ≤ 0.8 µm Standard Electropolished Standard Higher quality On Request
Process Temperature Ambient Temperature	-10 to + 140 °C -10 to +80 °C
Media	Gases or Liquids. < 10 Bar both sides
Control Medium	Neutral gases; air.
Certification Available	Material 3.1, FDA, USP VI



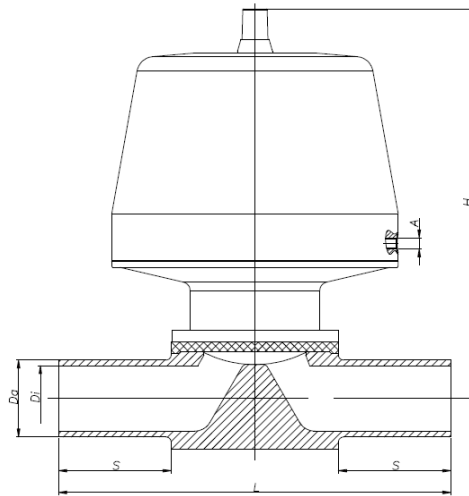
ISO / Diaphragm Valve 2/2 Way St/St Pneumatic Actuator / Weld End

Size	Da mm	Di mm	L mm	H mm	S mm	BBS Item Key (Item No. EPDM)	BBS Item Key (Item No. FEP)
DN 08	13.50	10.30	72.00	109.95	20.00	BBS-09-AC.W08.W08.35.0.MP (737138)	BBS-09-AC.W08.W08.35.3.MP (737142)
DN 10	17.20	14.00	108.00	142.50	31.00	BBS-09-AC.W10.W10.35.0.MP (On Request)	BBS-09-AC.W10.W10.35.3.MP (On Request)
DN 15	21.30	18.10	108.00	144.50	31.00	BBS-09-AC.W15.W15.35.0.MP (On Request)	BBS-09-AC.W15.W15.35.3.MP (737202)
DN 20	26.90	23.70	120.00	193.60	25.00	BBS-09-AC.W20.W20.35.0.MP (On Request)	BBS-09-AC.W20.W20.35.3.MP (On Request)
DN 25	33.70	29.70	120.00	198.10	25.00	BBS-09-AC.W25.W25.35.0.MP (On Request)	BBS-09-AC.W25.W25.35.3.MP (737283)
DN 32	42.40	38.40	153.00	251.60	30.00	BBS-09-AC.W32.W32.35.0.MP (On Request)	BBS-09-AC.W32.W32.35.3.MP (On Request)
DN 40	48.30	44.30	153.00	256.60	30.00	BBS-09-AC.W40.W40.35.0.MP (On Request)	BBS-09-AC.W40.W40.35.3.MP (On Request)
DN 50	60.30	56.30	173.00	282.70	40.00	BBS-09-AC.W50.W50.35.0.MP (737356)	BBS-09-AC.W50.W50.35.3.MP (On Request)
DN65	76.10	71.50	On Request			BBS-09-AC.W65.W65.35.0.MP (On Request)	BBS-09-AC.W65.W65.35.3.MP (On Request)
DN 80	88.90	84.30	On Request			BBS-09-AC.W80.W80.35.0.MP (On Request)	BBS-09-AC.W80.W80.35.3.MP (On Request)
DN 100	114.30	109.10	On Request			BBS-09-AC.W100.W100.35.0.MP (On Request)	BBS-09-AC.W100.W100.35.3.MP (On Request)



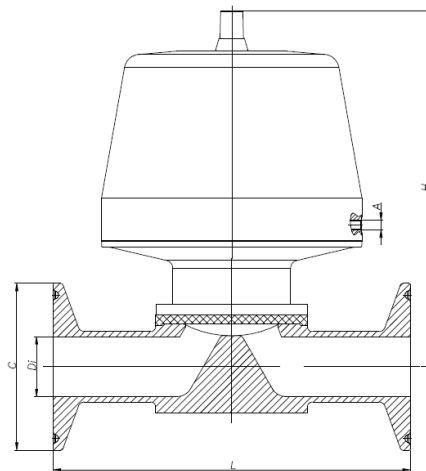
BS-OD / Diaphragm Valve 2/2 Way St/St Pneumatic Actuator / Weld End

Size	Da mm	Di mm	L mm	H mm	S mm	BBS Item Key (Item No. EPDM)	BBS Item Key (Item No. FEP)
DN 1/4"	6.35	4.57	72.00	107.00	20.00	BBS-09-AC.Y02.Y02.35.0.MP (737414)	BBS-09-AC.Y02.Y02.35.3.MP (737419)
DN 3/8"	9.53	7.75	88.90	110.00	20.00	BBS-09-AC.Y03.Y03.35.0.MP (737424)	BBS-09-AC.Y03.Y03.35.3.MP (737427)
DN 1/2"	12.70	9.40	88.90	110.00	28.45	BBS-09-AC.Y05.Y05.35.0.MP (737432)	BBS-09-AC.Y05.Y05.35.3.MP (737436)
DN 3/4"	19.05	15.75	121.90	143.00	37.95	BBS-09-AC.Y07.Y07.35.0.MP (On Request)	BBS-09-AC.Y07.Y07.35.3.MP (On Request)
DN 1"	25.40	22.10	147.30	195.30	39.15	BBS-09-AC.Y10.Y10.35.0.MP (On Request)	BBS-09-AC.Y10.Y10.35.3.MP (On Request)
DN 1.1/2"	38.10	34.80	170.20	251.60	38.60	BBS-09-AC.Y15.Y15.35.0.MP (On Request)	BBS-09-AC.Y15.Y15.35.3.MP (On Request)
DN 2"	50.80	47.50	190.50	261.60	48.75	BBS-09-AC.Y20.Y20.35.0.MP (On Request)	BBS-09-AC.Y20.Y20.35.3.MP (On Request)
DN 2.1/2"	63.50	60.20	173.00	297.60	32.50	BBS-09-AC.Y25.Y25.35.0.MP (On Request)	BBS-09-AC.Y25.Y25.35.3.MP (On Request)
DN3"	76.20	72.90	On Request			BBS-09-AC.Y30.Y30.35.0.MP (On Request)	BBS-09-AC.Y30.Y30.35.3.MP (On Request)
DN 4"	101.60	97.38	On Request			BBS-09-AC.Y40.Y40.35.0.MP (On Request)	BBS-09-AC.Y40.Y40.35.3.MP (On Request)

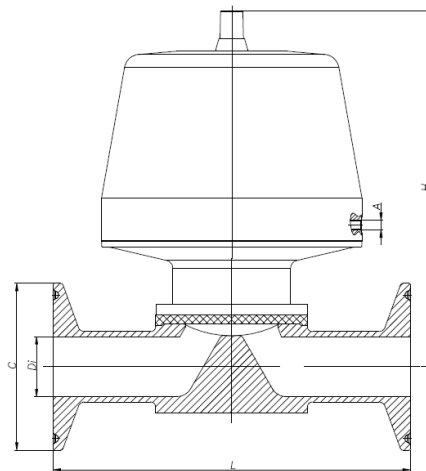


DIN / Diaphragm Valve 2/2 Way St/St Pneumatic Actuator / Weld End

Size	Da mm	Di mm	L mm	H mm	S mm	BBS Item Key (Item No. EPDM)	BBS Item Key (Item No. FEP)
DN 04	6.00	4.00	72.00	104.50	20.00	BBS-09-AC.V04.V04.35.0.MP (On Request)	BBS-09-AC.V04.V04.35.3.MP (On Request)
DN 06	8.00	6.00	72.00	105.00	20.00	BBS-09-AC.V06.V06.35.0.MP (736984)	BBS-09-AC.V06.V06.35.3.MP (736988)
DN 08	10.00	8.00	72.00	108.30	20.00	BBS-09-AC.V08.V08.35.0.MP (On Request)	BBS-09-AC.V08.V08.35.3.MP (On Request)
DN 10	12.00	10.00	72.00	108.30	20.00	BBS-09-AC.V10.V10.35.0.MP (On Request)	BBS-09-AC.V10.V10.35.3.MP (On Request)
DN 15	19.00	16.00	108.00	144.50	20.00	BBS-09-AC.V15.V15.35.0.MP (On Request)	BBS-09-AC.V15.V15.35.3.MP (737032)
DN 20	23.00	20.00	120.00	193.60	20.00	BBS-09-AC.V20.V20.35.0.MP (On Request)	BBS-09-AC.V20.V20.35.3.MP (On Request)
DN 25	29.00	26.00	120.00	198.10	25.00	BBS-09-AC.V25.V25.35.0.MP (On Request)	BBS-09-AC.V25.V25.35.3.MP (737060)
DN 32	35.00	32.00	153.00	251.60	30.00	BBS-09-AC.V32.V32.35.0.MP (On Request)	BBS-09-AC.V32.V32.35.3.MP (On Request)
DN 40	41.00	38.00	153.00	253.60	30.00	BBS-09-AC.V40.V40.35.0.MP (On Request)	BBS-09-AC.V40.V40.35.3.MP (On Request)
DN 50	53.00	50.00	173.00	271.80	32.50	BBS-09-AC.V50.V50.35.0.MP (737097)	BBS-09-AC.V50.V50.35.3.MP (On Request)
DN 65	70.00	65.00	On Request			BBS-09-AC.V65.V65.35.0.MP (On Request)	BBS-09-AC.V65.V65.35.3.MP (On Request)
DN 80	85.00	81.00	On Request			BBS-09-AC.V80.V80.35.0.MP (On Request)	BBS-09-AC.V80.V80.35.3.MP (On Request)
DN 100	104.00	100.00	On Request			BBS-09-AC.V100.V100.35.0.MP (On Request)	BBS-09-AC.V100.V100.35.3.MP (On Request)

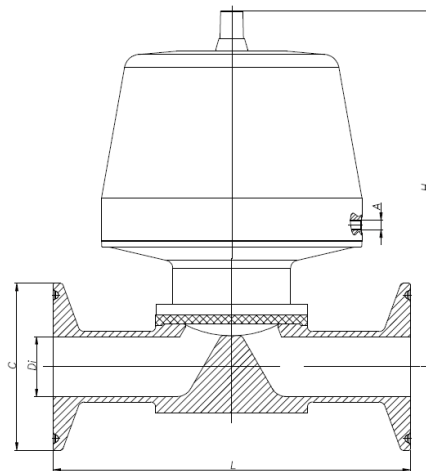


ISO / Diaphragm Valve 2/2 Way St/St Pneumatic Actuator / Clamp Connection							
Size	C mm	Da mm	Di mm	L mm	H mm	BBS Item Key (Item No. EPDM)	BBS Item Key (Item No. FEP)
DN 08	25.00	13.50	10.30	63.50	96.00	BBS-09-AG.W08.W08.35.0.MP (737932)	BBS-09-AG.W08.W08.35.3.MP (737937)
DN 10	25.00	17.20	14.00	108.00	97.00	BBS-09-AG.W10.W10.35.0.MP (On Request)	BBS-09-AG.W10.W10.35.3.MP (On Request)
DN 15	50.50	21.30	18.10	108.00	100.00	BBS-09-AG.W15.W15.35.0.MP (On Request)	BBS-09-AG.W15.W15.35.3.MP (737957)
DN 20	50.50	26.90	23.70	120.00	130.00	BBS-09-AG.W20.W20.35.0.MP (On Request)	BBS-09-AG.W20.W20.35.3.MP (On Request)
DN 25	50.50	33.70	29.70	120.00	175.00	BBS-09-AG.W25.W25.35.0.MP (On Request)	BBS-09-AG.W25.W25.35.3.MP (737986)
DN 32	64.00	42.40	38.40	153.00	220.00	BBS-09-AG.W32.W32.35.0.MP (On Request)	BBS-09-AG.W32.W32.35.3.MP (On Request)
DN 40	64.00	48.30	44.30	153.00	224.00	BBS-09-AG.W40.W40.35.0.MP (On Request)	BBS-09-AG.W40.W40.35.3.MP (On Request)
DN 50	77.50	60.30	56.30	173.00	230.00	BBS-09-AG.W50.W50.35.0.MP (On Request)	BBS-09-AG.W50.W50.35.3.MP (On Request)
DN65	91.00	76.10	71.50	On Request		BBS-09-AG.W65.W65.35.0.MP (On Request)	BBS-09-AG.W65.W65.35.3.MP (On Request)
DN 80	106.00	88.90	84.30	On Request		BBS-09-AG.W80.W80.35.0.MP (On Request)	BBS-09-AG.W80.W80.35.3.MP (On Request)
DN 100	130.00	114.30	109.10	On Request		BBS-09-AG.W100.W100.35.0.MP (On Request)	BBS-09-AG.W100.W100.35.3.MP (On Request)



BS-OD / Diaphragm Valve 2/2 Way St/St Pneumatic Actuator / Clamp Connection

Size	C mm	Da mm	Di mm	L mm	H mm	BBS Item Key (Item No. EPDM)	BBS Item Key (Item No. FEP)
DN 1/4"	25.00	6.35	4.57	63.50	96.00	BBS-09-AG.Y02.Y02.35.0.MP (On Request)	BBS-09-AG.Y02.Y02.35.3.MP (On Request)
DN 3/8"	25.0	9.53	7.75	63.50	97.00	BBS-09-AG.Y03.Y03.35.0.MP (On Request)	BBS-09-AG.Y03.Y03.35.3.MP (On Request)
DN 1/2"	25.00	12.70	9.40	63.50	100.00	BBS-09-AG.Y05.Y05.35.0.MP (On Request)	BBS-09-AG.Y05.Y05.35.3.MP (On Request)
DN 3/4"	25.00	19.05	15.75	101.60	130.00	BBS-09-AG.Y07.Y07.35.0.MP (On Request)	BBS-09-AG.Y07.Y07.35.3.MP (On Request)
DN 1"	50.50	25.40	22.10	114.30	175.00	BBS-09-AG.Y10.Y10.35.0.MP (On Request)	BBS-09-AG.Y10.Y10.35.3.MP (On Request)
DN 1.1/2"	50.50	38.10	34.80	139.70	224.00	BBS-09-AG.Y15.Y15.35.0.MP (On Request)	BBS-09-AG.Y15.Y15.35.3.MP (On Request)
DN 2"	64.00	50.80	47.50	158.70	230.00	BBS-09-AG.Y20.Y20.35.0.MP (On Request)	BBS-09-AG.Y20.Y20.35.3.MP (On Request)
DN 2.1/2"	77.50	63.50	60.20	On Request		BBS-09-AG.Y25.Y25.35.0.MP (On Request)	BBS-09-AG.Y25.Y25.35.3.MP (On Request)
DN3"	91.00	76.20	72.90	On Request		BBS-09-AG.Y30.Y30.35.0.MP (On Request)	BBS-09-AG.Y30.Y30.35.3.MP (On Request)
DN 4"	119.00	101.60	97.38	On Request		BBS-09-AG.Y40.Y40.35.0.MP (On Request)	BBS-09-AG.Y40.Y40.35.3.MP (On Request)



DIN / Diaphragm Valve 2/2 Way St/St Pneumatic Actuator / Clamp Connection							
Size	C mm	Da mm	Di mm	L mm	H mm	BBS Item Key (Item No. EPDM)	BBS Item Key (Item No. FEP)
DN 04	25.00	6.00	4.00	63.50	96.00	BBS-09-AG.V04.V04.35.0.MP (On Request)	BBS-09-AG.V04.V04.35.3.MP (On Request)
DN 06	25.00	8.00	6.00	63.50	97.00	BBS-09-AG.V06.V06.35.0.MP (On Request)	BBS-09-AG.V06.V06.35.3.MP (On Request)
DN 08	25.00	10.00	8.00	63.50	100.00	BBS-09-AG.V08.V08.35.0.MP (737892)	BBS-09-AG.V08.V08.35.3.MP (On Request)
DN 10	34.00	12.00	10.00	63.50	130.00	BBS-09-AG.V10.V10.35.0.MP (737896)	BBS-09-AG.V10.V10.35.3.MP (On Request)
DN 15	34.00	19.00	16.00	108.00	175.00	BBS-09-AG.V15.V15.35.0.MP (On Request)	BBS-09-AG.V15.V15.35.3.MP (On Request)
DN 20	34.00	23.00	20.00	114.30	220.00	BBS-09-AG.V20.V20.35.0.MP (On Request)	BBS-09-AG.V20.V20.35.3.MP (On Request)
DN 25	50.50	29.00	26.00	114.30	220.00	BBS-09-AG.V25.V25.35.0.MP (On Request)	BBS-09-AG.V25.V25.35.3.MP (On Request)
DN 32	64.00	35.00	32.00	139.70	224.00	BBS-09-AG.V32.V32.35.0.MP (737920)	BBS-09-AG.V32.V32.35.3.MP (On Request)
DN 40	64.00	41.00	38.00	139.70	230.00	BBS-09-AG.V40.V40.35.0.MP (On Request)	BBS-09-AG.V40.V40.35.3.MP (On Request)
DN 50	77.50	53.00	50.00	158.70	236.00	BBS-09-AG.V50.V50.35.0.MP (On Request)	BBS-09-AG.V50.V50.35.3.MP (On Request)
DN 65	91.00	70.00	65.00	On Request		BBS-09-AG.V65.V65.35.0.MP (On Request)	BBS-09-AG.V65.V65.35.3.MP (On Request)
DN 80	106.00	85.00	81.00	On Request		BBS-09-AG.V80.V80.35.0.MP (On Request)	BBS-09-AG.V80.V80.35.3.MP (On Request)
DN 100	130.00	104.00	100.00	On Request		BBS-09-AG.V100.V100.35.0.MP (On Request)	BBS-09-AG.V100.V100.35.3.MP (On Request)