

BBS-07

Aseptic tank flange
acc. to DIN 11864-2

Tank flange for aseptic flange connection acc. to DIN 11864-2



Hygienic Processing components...



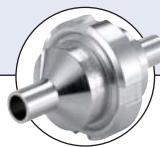
Type BBS-06

Small Franco on Flange



Type BBS-04

Silicone tube



Type BBS-10

Check valve



Type BBS-03

Threaded connection



Type BBS-05

Sterile Quick Connect



Type 2103

Diaphragm valve

- Design according to DIN 11864-2
- All medium contact materials traceable
- Component of the BBS modular system

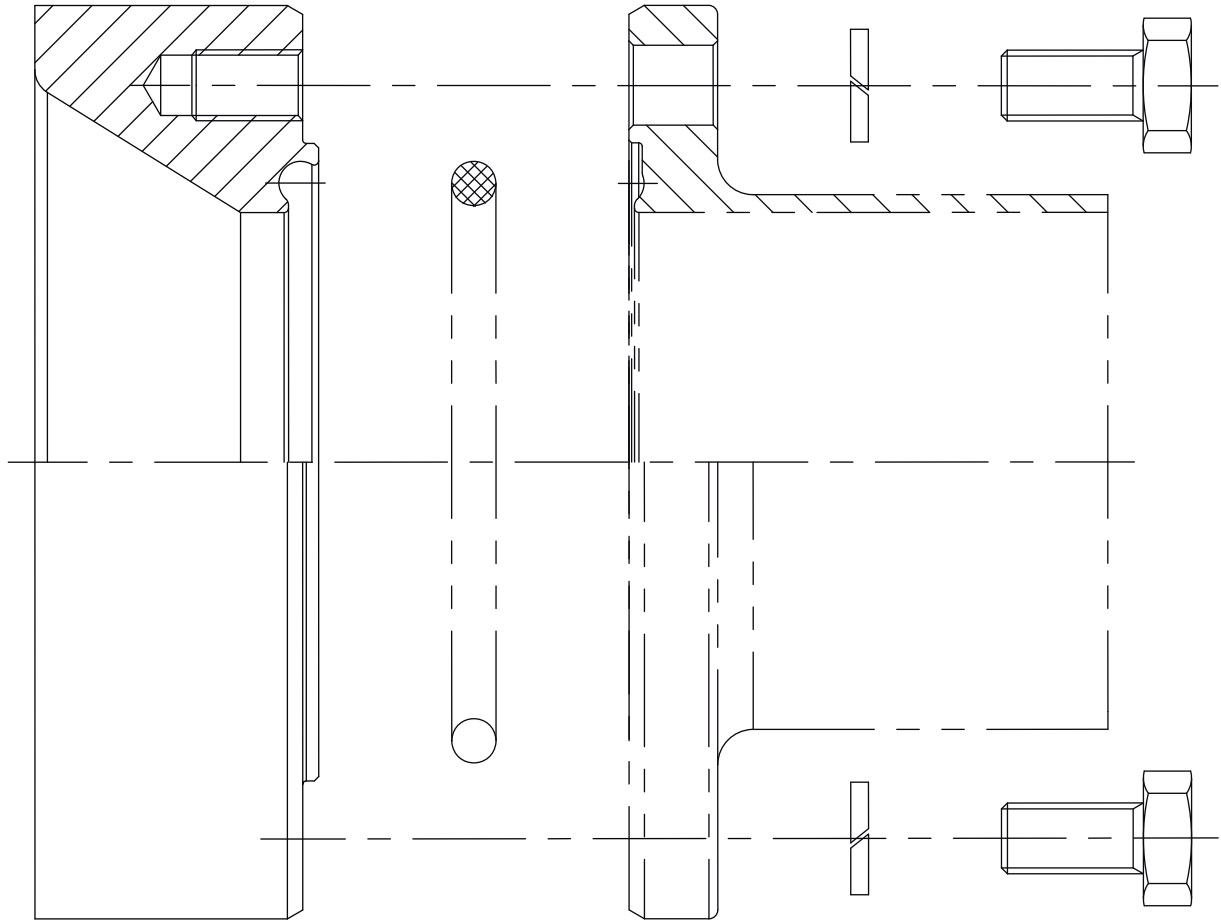
The aseptic tank flanges are produced according to the DIN Norm 11864-2 and are widely used with Hygienic Processing applications. These flanges are compatible with the BBS-06 aseptic flanges.

For increased process security we recommend the BBS-07 Sterile tank flange which can also be used in conjunction with the BBS-06 Sterile orbital flanges.

Applications

- Biotechnology
- Pharmaceutical
- Chemical industry
- Diary
- Food
- Cosmetic

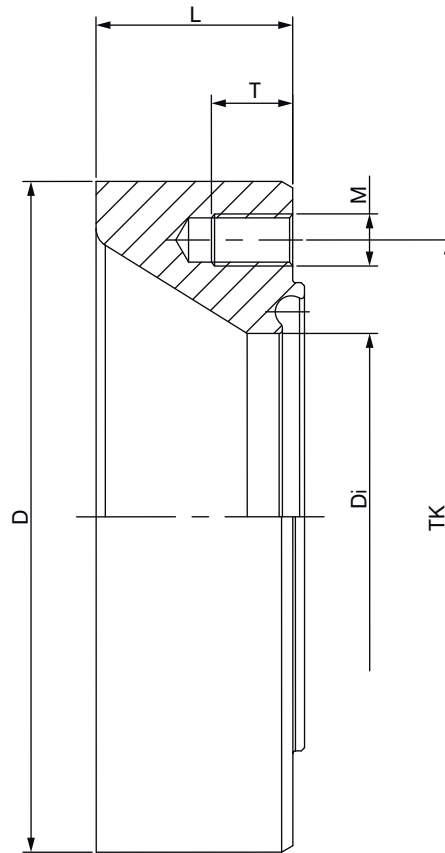
Technical data	
Available standard sizes	ISO DN08 to DN100 DIN DN10 to DN150 BS-OD DN1/2" to DN4"
Material medium contact	Stainless steel 1.4435 BN2 (316L) Special materials like e.g. Hastelloy 2.4602, Titanium, 1.4539 etc. on request
Material medium separated	1.4305 or equivalent
Surface quality	Medium contacted surface < Ra 0.8µm, electro polished, finer surface on request
Ambient temperature	-20 to +80 °C
Media	Gases or liquids
Operating pressure	ISO DN08 to DN25 = 25 bar ISO DN32 to DN80 = 16 bar ISO DN100 = 10 bar DIN DN10 to DN40 = 25 bar DIN DN50 to DN100 = 16 bar DIN DN125 to DN150 = 10 bar BS-OD DN1/2" to DN1 1/2" = 25 bar BS-OD DN2" to DN4" = 16 bar
Applicable Standards	Seal parts acc. to DIN 11864-2, Form A ISO Dimensions Series B DIN Dimensions Series A BS-OD Dimensions Series C
Certifications	Material 3.1



Assembly nuts, bolts and washers and the O-Ring are not supplied a standard. For suitable parts please see our data sheet BBS-06.

Dimension [

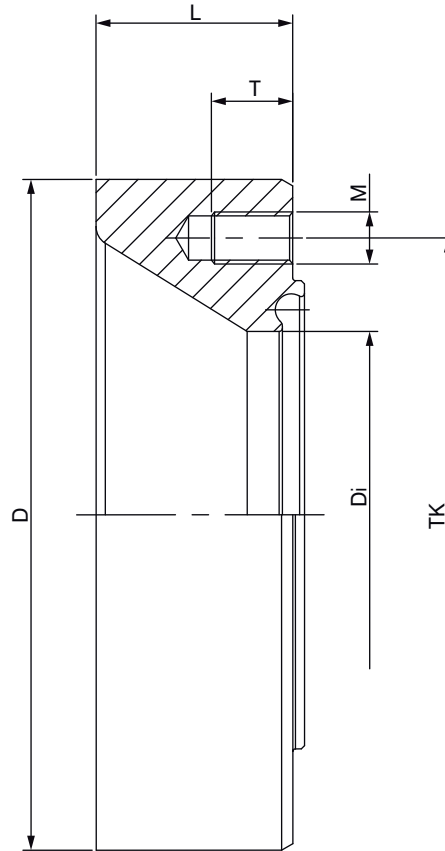
suitable for BBS-06 Aseptic flanges acc. to DIN 11864-2



Orifice	D [mm]	Di [mm]	TK [mm]	L [mm]	T [mm]	M [mm]	Item no.	
ISO Dimensions Aseptic tank flange								
DN08	54.00	10.30	37.00	20.00	12.00	4xM08	BBS-07-ZD.Z08.64A.35.0	(on request)
DN10	59.00	14.00	42.00	20.00	12.00	4xM08	BBS-07-ZD.Z10.64A.35.0	(on request)
DN15	62.00	18.10	45.00	20.00	12.00	4xM08	BBS-07-ZD.Z15.64A.35.0	(733 664)
DN20	69.00	23.70	52.00	20.00	12.00	4xM08	BBS-07-ZD.Z20.64A.35.0	(733 673)
DN25	74.00	29.70	57.00	25.00	15.00	4xM08	BBS-07-ZD.Z25.64A.35.0	(733 682)
DN32	82.00	38.40	65.00	32.00	15.00	4xM08	BBS-07-ZD.Z32.64A.35.0	(733 690)
DN40	88.00	44.30	71.00	32.00	18.00	4xM08	BBS-07-ZD.Z40.64A.032.35.0	(733 695)
DN50	103.00	56.30	85.00	32.00	18.00	4xM08	BBS-07-ZD.Z50.64A.032.35.0	(733 707)
DN65	125.00	72.10	104.00	38.00	18.00	8xM10	BBS-07-ZD.Z65.64A.038.35.0	(733 721)
DN80	137.00	84.30	116.00	38.00	18.00	8xM10	BBS-07-ZD.Z80.64A.038.35.0	(733 736)
DN100	168.00	109.70	146.00	38.00	18.00	8xM10	BBS-07-ZD.Z100.64A.038.35.0	(733 654)

Dimension [

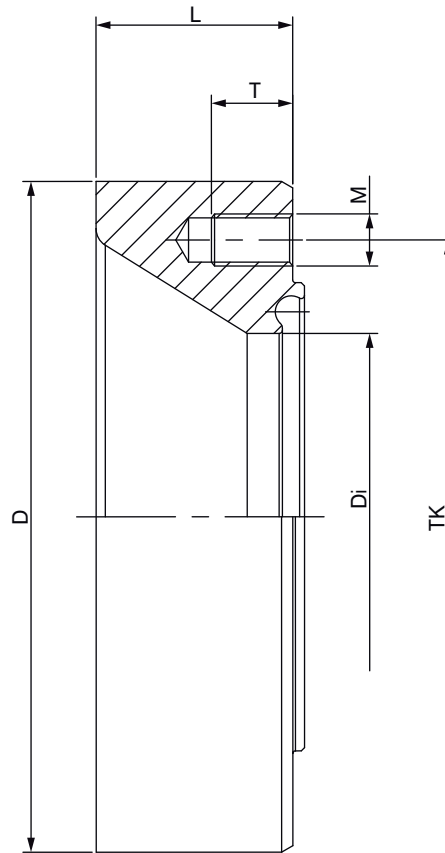
suitable for BBS-06 Aseptic flanges acc. to DIN 11864-2



Orifice	D [mm]	Di [mm]	TK [mm]	L [mm]	T [mm]	M [mm]	Item no.	
DIN Dimensions Aseptic tank flange								
DN10	54.00	10.00	37.00	20.00	12.00	4xM08	BBS-07-ZD.F10.64A.35.0	(on request)
DN15	59.00	16.00	45.00	20.00	12.00	4xM08	BBS-07-ZD.F15.64A.35.0	(on request)
DN20	59.00	20.00	45.00	20.00	12.00	4xM08	BBS-07-ZD.F20.64A.35.0	(on request)
DN25	70.00	26.00	53.00	25.00	15.00	4xM08	BBS-07-ZD.F25.64A.35.0	(on request)
DN32	82.00	32.00	65.00	32.00	15.00	4xM08	BBS-07-ZD.F32.64A.35.0	(on request)
DN40	82.00	38.00	65.00	32.00	18.00	4xM08	BBS-07-ZD.F40.64A.35.0	(733 621)
DN50	94.00	50.00	77.00	32.00	18.00	4xM08	BBS-07-ZD.F50.64A.35.0	(733 624)
DN65	113.00	66.00	95.00	38.00	18.00	8xM10	BBS-07-ZD.F65.64A.35.0	(on request)
DN80	133.00	81.00	112.00	38.00	18.00	8xM10	BBS-07-ZD.F80.64A.35.0	(733 627)
DN100	159.00	100.00	137.00	38.00	18.00	8xM10	BBS-07-ZD.F100.64A.35.	(on request)
DN125	183.00	81.00	161.00	38.00	18.00	8xM10	BBS-07-ZD.F125.64A.35.	(on request)
DN150	213.00	100.00	188.00	51.00	18.00	8xM12	BBS-07-ZD.F150.64A.051.35.0	(733 617)

Dimension [

suitable for BBS-06 Aseptic flanges acc. to DIN 11864-2



Orifice	D [mm]	Di [mm]	TK [mm]	L [mm]	T [mm]	M [mm]	Item no.	
BS-OD Dimensions Aseptic tank flange								
DN1/2"	54.00	9.40	37.00	20.00	12.00	4xM08	BBS-07-ZD.M05.64A.35.0	(on request)
DN3/4"	59.00	15.75	42.00	20.00	12.00	4xM08	BBS-07-ZD.M07.64A.35.0	(on request)
DN1"	66.00	22.10	49.00	25.00	12.00	4xM08	BBS-07-ZD.M10.64A.35.0	(733 630)
DN1 1/2"	79.00	34.80	62.00	25.00	15.00	4xM08	BBS-07-ZD.M15.64A.35.0	(733 633)
DN2"	92.00	47.50	75.00	32.00	18.00	4xM08	BBS-07-ZD.M20.64A.35.0	(733 636)
DN2 1/2"	107.00	60.20	65.00	32.00	18.00	8xM10	BBS-07-ZD.M20.64A.35.0	(733 639)
DN3"	125.00	72.90	104.00	32.00	18.00	8xM10	BBS-07-ZD.M30.64A.35.0	(733 642)
DN4"	157.00	97.38	135.00	38.00	18.00	8xM10	BBS-07-ZD.M40.64A.35.0	(733 645)