

BBS-07

Clamp
tank flange

Clamp tank flange



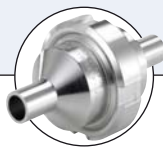
Hygienic Processing Components...



Type BBS-3F
Flow indicator



Type BBS-04
Silicone tube



Type BBS-10
Check valve



Type BBS-03
Connection



Type BBS-06
Flange



Type 2103
Diaphragm valve

- Suitable for clamp ferrules according to DIN 32676 and ASME BPE
- All medium contact materials traceable
- Component of the BBS modular system
- High flexibility

These Clamp block flanges are suitable for clamp connections according to DIN 32676 and ASME BPE. They are specifically intended to provide a safe and secure flexible connection of pipes or equipment to a tank using standard clamps.

They can be used for connecting measuring instruments, sight glasses or sampling systems as well as burst discs. Their design and construction makes them simple to clean.

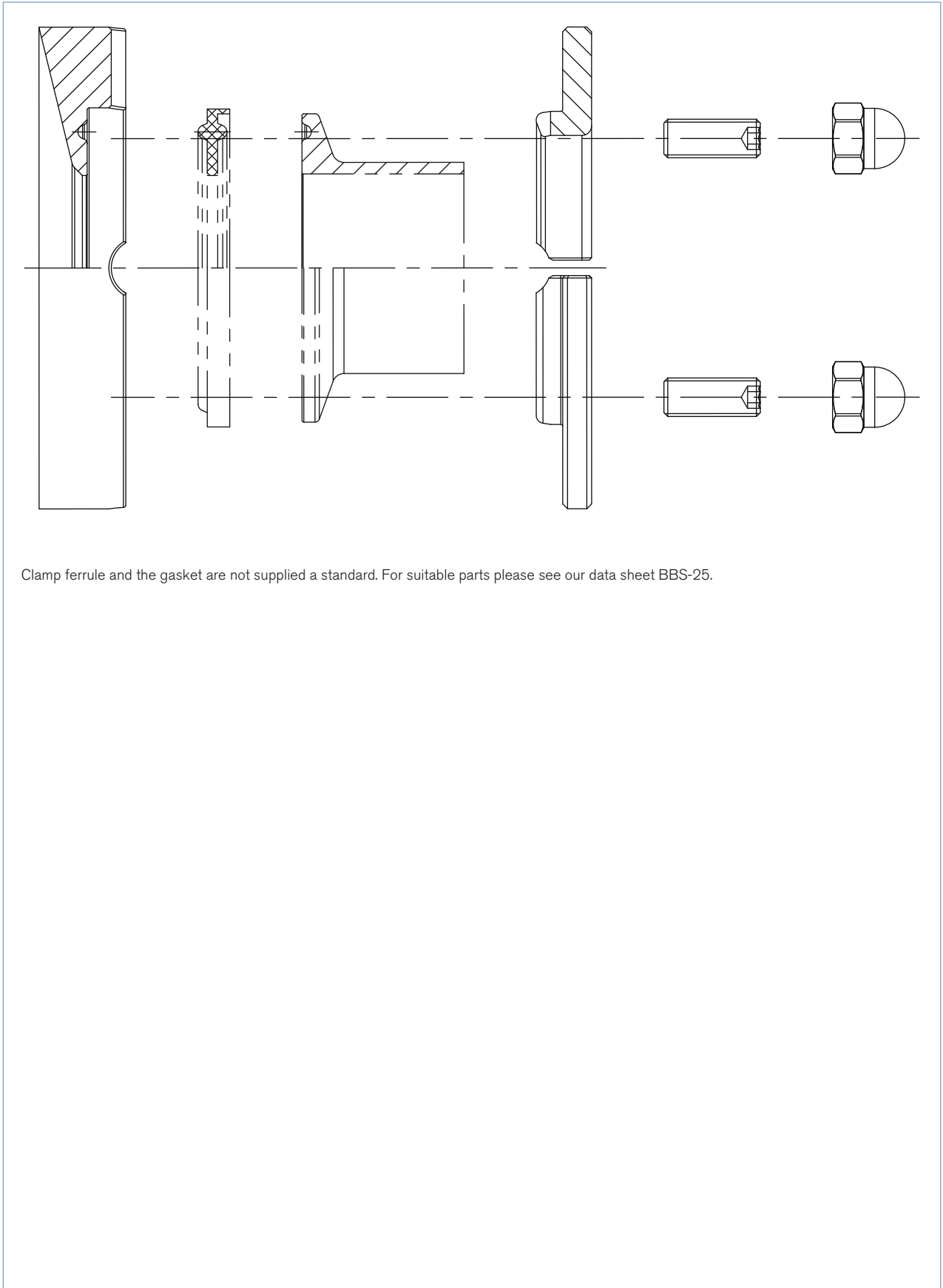
Applications

- Biotechnology
- Pharmaceutical
- Chemical industry
- Dairy
- Food
- Cosmetic

Technical data

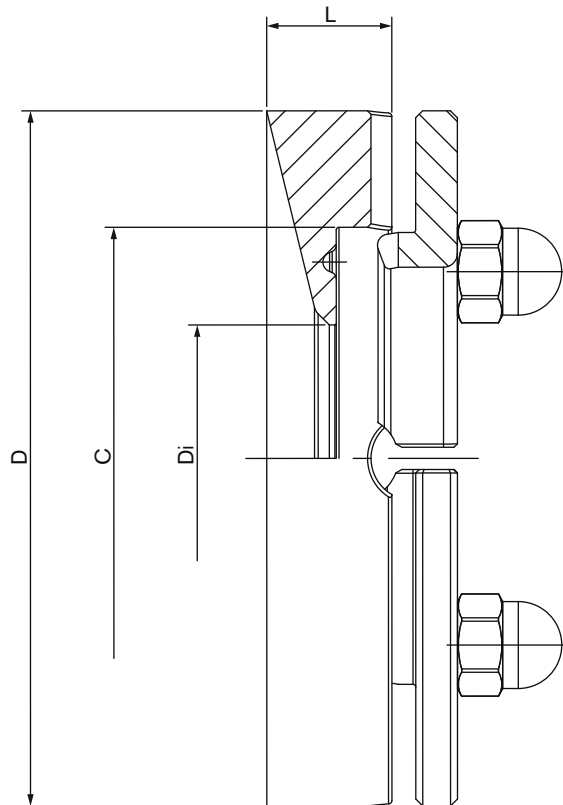
Available standard sizes	ISO DN08 to DN100 DIN DN10 to DN100 BS-OD DN1/2" to DN4"
Material medium contact	Stainless steel 1.4435 BN2 (316L) Special materials e.g. Hastelloy 2.4602, Titanium, 1.4539 etc. on request
Material medium separated	1.4305 or equivalent
Connection	Loose tank Clamp
Seals	Suitable seals please see datasheet BBS-25
Surface quality	Medium contacted surface RA < Ra 0,8µm, electro polished, finer surface on request
Ambient temperature	-20 to +80 °C
Media	Gases or liquids
Operating pressure	ISO DN08 to DN32 = 25bar ISO DN40 to DN65 = 16bar ISO DN80 to DN150 = 10bar DIN DN04 to DN40 = 25bar DIN DN50 to DN65 = 16bar DIN DN80 to DN150 = 10bar BS-OD DN1/4" to DN1 1/2" = 25bar BS-OD DN2" to DN3" = 16bar BS-OD DN4" to DN8" = 10bar SMS DN06 to DN40 = 25bar SMS DN50 to DN65 = 16bar SMS DN80 to DN100 = 10bar
Applicable Standards	Clamp shape acc. to DIN 32676 ISO-Dimensions Series B DIN-Dimensions Series A BS-OD-Dimensions Series C (ASME BPE)
Certifications	Material 3.1

Clamp tank flange



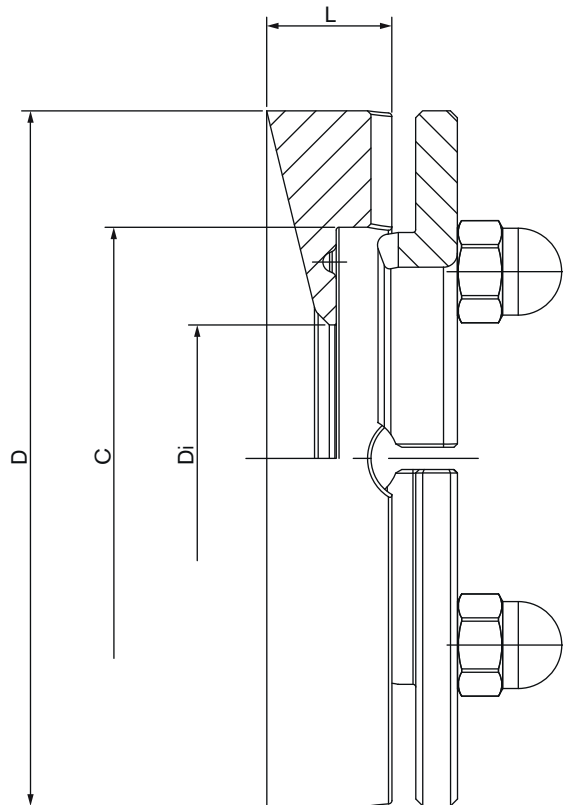
Clamp ferrule and the gasket are not supplied a standard. For suitable parts please see our data sheet BBS-25.

Dimension [mm] Clamp tank flange suitable for BBS-25 Clamp ferrules



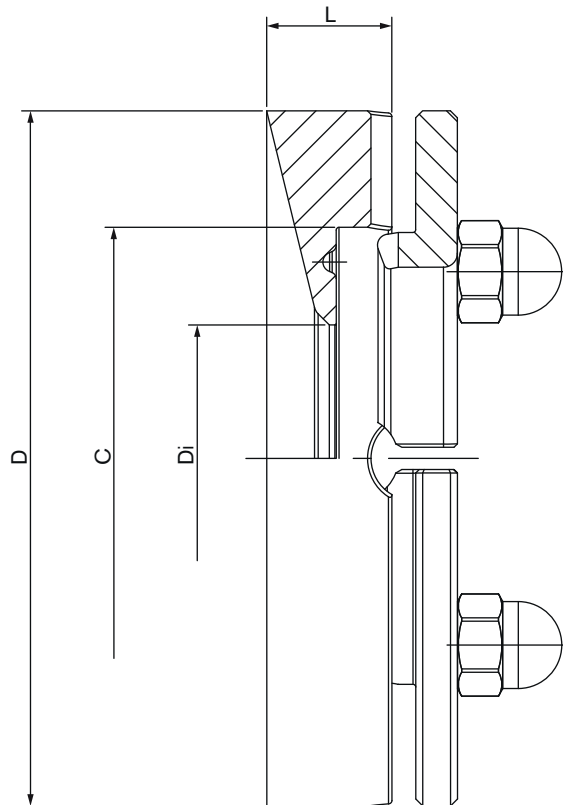
Orifice	D [mm]	Di [mm]	C [mm]	Suitable Clamp Ø	Item no. Flange L 15mm		Item no. Flange L 25mm	
ISO Dimensions Clamp tank flange								
DN08		10,30		25,00	BBS-07-ZT.Z08.015.35.0	(on request)	BBS-07-ZT.Z08.025.35.0	(on request)
DN10		14,00		25,00	BBS-07-ZT.Z10.015.35.0	(on request)	BBS-07-ZT.Z10.025.35.0	(on request)
DN15	70,00	18,10	37,40	34,00	BBS-07-ZT.Z15.015.35.0	(on request)	BBS-07-ZT.Z15.025.35.0	(on request)
DN20	85,00	23,70	53,90	50,50	BBS-07-ZT.Z20.015.35.0	(on request)	BBS-07-ZT.Z20.025.35.0	(on request)
DN25	85,00	29,70	53,90	50,50	BBS-07-ZT.Z25.015.35.0	(on request)	BBS-07-ZT.Z25.025.35.0	(733 893)
DN32	100,00	38,40	66,50	64,00	BBS-07-ZT.Z32.015.35.0	(733 905)	BBS-07-ZT.Z32.025.35.0	(733 908)
DN40	100,00	44,30	66,50	64,00	BBS-07-ZT.Z40.015.35.0	(733 917)	BBS-07-ZT.Z40.025.35.0	(on request)
DN50	112,00	56,30	80,50	77,50	BBS-07-ZT.Z50.015.35.0	(733 926)	BBS-07-ZT.Z50.025.35.0	(on request)
DN65	131,00	72,10	93,00	91,00	BBS-07-ZT.Z65.015.35.0	(733 939)	BBS-07-ZT.Z65.025.35.0	(on request)
DN80	146,00	84,30	108,00	106,00	BBS-07-ZT.Z80.015.35.0	(733 948)	BBS-07-ZT.Z80.025.35.0	(on request)
DN100	170,00	109,70	132,50	130,00	BBS-07-ZT.Z100.015.35.0	(733 871)	BBS-07-ZT.Z100.025.35.0	(733 873)
Orifice	D [mm]	Di [mm]	C [mm]	Suitable Clamp Ø	Item no. Flange L 38mm		Item no. Flange L 51mm	
ISO Dimensions Clamp tank flange continued								
DN08		10,30		25,00	BBS-07-ZT.Z08.038.35.0	(on request)	BBS-07-ZT.Z08.051.35.0	(on request)
DN10		14,00		25,00	BBS-07-ZT.Z10.038.35.0	(on request)	BBS-07-ZT.Z10.051.35.0	(on request)
DN15	70,00	18,10	37,40	34,00	BBS-07-ZT.Z15.038.35.0	(733 885)	BBS-07-ZT.Z15.051.35.0	(on request)
DN20	85,00	23,70	53,90	50,50	BBS-07-ZT.Z20.038.35.0	(on request)	BBS-07-ZT.Z20.051.35.0	(on request)
DN25	85,00	29,70	53,90	50,50	BBS-07-ZT.Z25.038.35.0	(on request)	BBS-07-ZT.Z25.051.35.0	(on request)
DN32	100,00	38,40	66,50	64,00	BBS-07-ZT.Z32.038.35.0	(on request)	BBS-07-ZT.Z32.051.35.0	(on request)
DN40	100,00	44,30	66,50	64,00	BBS-07-ZT.Z40.038.35.0	(on request)	BBS-07-ZT.Z40.051.35.0	(on request)
DN50	112,00	56,30	80,50	77,50	BBS-07-ZT.Z50.038.35.0	(on request)	BBS-07-ZT.Z50.051.35.0	(733 929)
DN65	131,00	72,10	93,00	91,00	BBS-07-ZT.Z65.038.35.0	(on request)	BBS-07-ZT.Z65.051.35.0	(on request)
DN80	146,00	84,30	108,00	106,00	BBS-07-ZT.Z80.038.35.0	(on request)	BBS-07-ZT.Z80.051.35.0	(733 951)
DN100	170,00	109,70	132,50	130,00	BBS-07-ZT.Z100.038.35.0	(on request)	BBS-07-ZT.Z100.051.35.0	(733 876)

Dimension [mm] Clamp tank flange suitable for BBS-25 Clamp ferrules



Orifice	D [mm]	Di [mm]	C [mm]	Suitable Clamp Ø	Item no. Flange L 15mm		Item no. Flange L 25mm		
DIN Dimensions Clamp tank flange									
DN10	70,00	10,00	37,40	34,00	BBS-07-ZT.F10.015.35.0	(on request)	BBS-07-ZT.F10.025.35.0	(on request)	
DN15	70,00	16,00	37,40	34,00	BBS-07-ZT.F15.015.35.0	(on request)	BBS-07-ZT.F15.025.35.0	(on request)	
DN20	70,00	20,00	37,40	34,00	BBS-07-ZT.F20.015.35.0	(on request)	BBS-07-ZT.F20.025.35.0	(on request)	
DN25	85,00	26,00	53,90	50,50	BBS-07-ZT.F25.015.35.0	(on request)	BBS-07-ZT.F25.025.35.0	(on request)	
DN32	85,00	32,00	53,90	50,50	BBS-07-ZT.F32.015.35.0	(on request)	BBS-07-ZT.F32.025.35.0	(on request)	
DN40	85,00	38,00	53,90	50,50	BBS-07-ZT.F40.015.35.0	(on request)	BBS-07-ZT.F40.025.35.0	(733 751)	
DN50	100,00	50,00	66,50	64,00	BBS-07-ZT.F50.015.35.0	(on request)	BBS-07-ZT.F50.025.35.0	(733 760)	
DN65	131,00	66,00	93,00	91,00	BBS-07-ZT.F65.015.35.0	(on request)	BBS-07-ZT.F65.025.35.0	(743 416)	
DN80	146,00	81,00	108,00	106,00	BBS-07-ZT.F80.015.35.0	(on request)	BBS-07-ZT.F80.025.35.0	(on request)	
DN100	170,00	100,00	121,50	119,00	BBS-07-ZT.F100.015.35.0	(on request)	BBS-07-ZT.F100.025.35.0	(on request)	
Orifice	D [mm]	Di [mm]	C [mm]	Suitable Clamp Ø	Item no. Flange L 38mm		Item no. Flange L 51mm		
DIN Dimensions Clamp tank flange continued									
DN10	70,00	10,00	37,40	34,00	BBS-07-ZT.F10.038.35.0	(on request)	BBS-07-ZT.F10.051.35.0	(on request)	
DN15	70,00	16,00	37,40	34,00	BBS-07-ZT.F15.038.35.0	(on request)	BBS-07-ZT.F15.051.35.0	(on request)	
DN20	70,00	20,00	37,40	34,00	BBS-07-ZT.F20.038.35.0	(on request)	BBS-07-ZT.F20.051.35.0	(on request)	
DN25	85,00	26,00	53,90	50,50	BBS-07-ZT.F25.038.35.0	(on request)	BBS-07-ZT.F25.051.35.0	(on request)	
DN32	85,00	32,00	53,90	50,50	BBS-07-ZT.F32.038.35.0	(on request)	BBS-07-ZT.F32.051.35.0	(on request)	
DN40	85,00	38,00	53,90	50,50	BBS-07-ZT.F40.038.35.0	(on request)	BBS-07-ZT.F40.051.35.0	(on request)	
DN50	100,00	50,00	66,50	64,00	BBS-07-ZT.F50.038.35.0	(on request)	BBS-07-ZT.F50.051.35.0	(on request)	
DN65	131,00	66,00	93,00	91,00	BBS-07-ZT.F65.038.35.0	(on request)	BBS-07-ZT.F65.051.35.0	(on request)	
DN80	146,00	81,00	108,00	106,00	BBS-07-ZT.F80.038.35.0	(on request)	BBS-07-ZT.F80.051.35.0	(on request)	
DN100	170,00	109,70	132,50	130,00	BBS-07-ZT.F100.038.35.0	(on request)	BBS-07-ZT.F100.051.35.0	(on request)	

Dimension [mm] Clamp tank flange suitable for BBS-25 Clamp ferrules



Orifice	D [mm]	Di [mm]	C [mm]	Suitable Clamp Ø	Item no. Flange L 15mm		Item no. Flange L 25mm	
BS-OD Dimensions Clamp tank flange								
DN1/2"		9,40		25,00	BBS-07-ZT.M05.015.35.0	(on request)	BBS-07-ZT.M05.025.35.0	(on request)
DN3/4"		15,75		25,00	BBS-07-ZT.M07.015.35.0	(on request)	BBS-07-ZT.M07.025.35.0	(on request)
DN1"	85,00	22,10	53,90	50,50	BBS-07-ZT.M10.015.35.0	(on request)	BBS-07-ZT.M10.025.35.0	(733 771)
DN1 1/2"	85,00	38,10	53,90	50,50	BBS-07-ZT.M15.015.35.0	(on request)	BBS-07-ZT.M15.025.35.0	(733 783)
DN2"	100,00	50,80	66,50	64,00	BBS-07-ZT.M20.015.35.0	(733 808)	BBS-07-ZT.M20.025.35.0	(733 811)
DN2 1/2"	112,00	60,20	80,50	77,50	BBS-07-ZT.M25.015.35.0	(on request)	BBS-07-ZT.M25.025.35.0	(on request)
DN3"	131,00	72,90	93,00	91,00	BBS-07-ZT.M30.015.35.0	(733 840)	BBS-07-ZT.M30.025.35.0	(733 842)
DN4"	170,00	97,38	121,50	119,00	BBS-07-ZT.M40.015.35.0	(733 855)	BBS-07-ZT.M40.025.35.0	(on request)
BS-OD Dimensions Clamp tank flange continued								
Orifice	D [mm]	Di [mm]	C [mm]	Suitable Clamp Ø	Item no. Flange L 38mm		Item no. Flange L 51mm	
DN1/2"		9,40		25,00	BBS-07-ZT.M05.038.35.0	(on request)	BBS-07-ZT.M05.051.35.0	(on request)
DN3/4"		15,75		25,00	BBS-07-ZT.M07.038.35.0	(on request)	BBS-07-ZT.M07.051.35.0	(on request)
DN1"	85,00	22,10	53,90	50,50	BBS-07-ZT.M10.038.35.0	(on request)	BBS-07-ZT.M10.051.35.0	(on request)
DN1 1/2"	85,00	38,10	53,90	50,50	BBS-07-ZT.M15.038.35.0	(on request)	BBS-07-ZT.M15.051.35.0	(on request)
DN2"	100,00	50,80	66,50	64,00	BBS-07-ZT.M20.038.35.0	(on request)	BBS-07-ZT.M20.051.35.0	(on request)
DN2 1/2"	112,00	60,20	80,50	77,50	BBS-07-ZT.M25.038.35.0	(on request)	BBS-07-ZT.M25.051.35.0	(on request)
DN3"	131,00	72,90	93,00	91,00	BBS-07-ZT.M30.038.35.0	(on request)	BBS-07-ZT.M30.051.35.0	(on request)
DN4"	170,00	97,38	121,50	119,00	BBS-07-ZT.M40.038.35.0	(on request)	BBS-07-ZT.M40.051.35.0	(on request)