

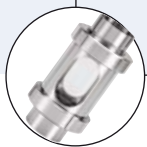
# BBS-06

Sterile orbital  
flange

## Sterile orbital flange



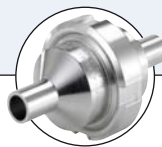
Hygienic Processing Components.....



**Type BBS-3F**  
Flow indicator



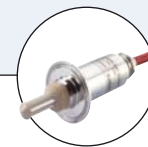
**Type BBS-04**  
Silicone Hose



**Type BBS-10**  
Check valve



**Type 2103**  
Diaphragm valve



**Type 8221**  
Conductivity sensor



**Type 8650**  
Process Automation

- Optimized design in accordance with the recommendations of the ASME BPE guidelines
- Guaranteed crevice free
- All medium contact materials traceable, traceable seal available on request
- Component of the BBS modular system

The BBS Sterile orbital flange is a gap-free connection that has been specially designed for sterile applications. It is practical and available in all sizes, configurations and standards, so you can optimize the conditions in your process, while ensuring the safety of the outside according to different requirements.

These flange connections have a smaller outer diameter and are very compact.

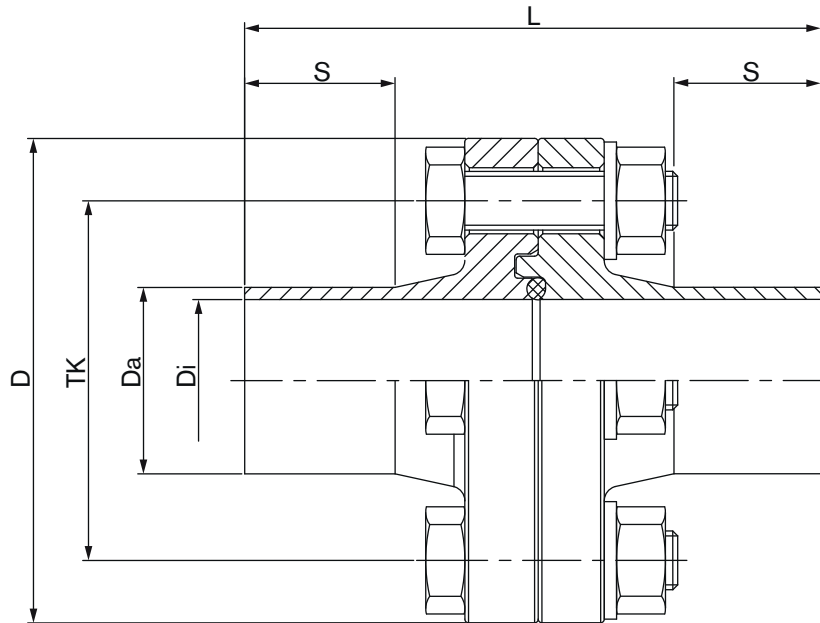
The structure comprises of an O-Ring in a standard dimension allowing flexibility in the choice of materials.

### Applications

- Biotechnology
- Pharmaceutical
- Chemical industry
- Dairy
- Food
- Cosmetic

Technical data	
<b>Available standard sizes</b>	ISO DN08 to DN125 SMS DN10 to DN100 BS-OD DN1/2" to DN4" DIN DN10 to DN100 Customized on request
<b>Material medium contact</b>	Stainless steel 1.4435 BN2 (316L) Special materials e.g. Hastelloy 2.4602, Titanium, 1.4539 etc. on request
<b>Material medium separated</b>	1.4305 or equivalent
<b>Seals</b>	O-Ring, EPDM, FEP, PTFE, special sealing materials e.g. Silicone, pure PTFE etc. on request
<b>Surface quality</b>	Medium contacted surface < Ra 0,8µm, electro polished, finer surface on request
<b>Operating temperature</b>	Seal material EPDM: -40 to 90 °C, temporary to 140 °C Seal material FEP: -60 to 160 °C, temporary to 205 °C
<b>Ambient temperature</b>	-20 to +80 °C
<b>Media</b>	Gases or liquids
<b>Operating pressure</b>	-1 to +16 bar (depending on seal material)
<b>Applicable Standards</b>	Pipe connection acc. to DIN 11866 ISO-Dimensions Series B (ISO 4200) BS-OD-Dimension Series C (ASME BPE) DIN-Dimension Series A (DIN 11850) SMS Dimension SMS 3008
<b>Certifications</b>	Material 3.1, FDA, USP VI

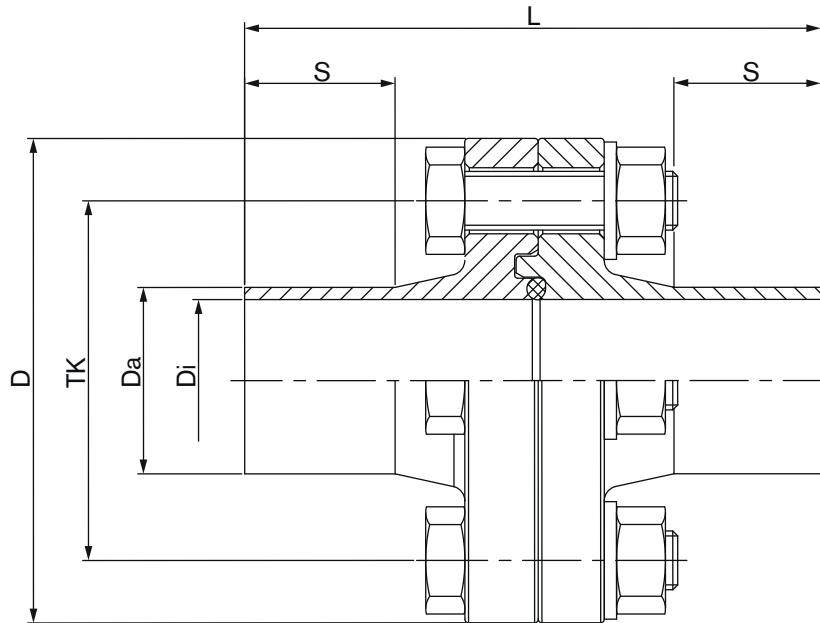
**Dimension [mm] Sterile orbital flange**



Orifice	D [mm]	TK [mm]	Da [mm]	Di [mm]	L [mm]	S [mm]	Item no. EPDM
<b>ISO Dimensions Sterile orbital flange</b>							
DN08	54,00	37,00	13,50	10,30	78,00	20,00	BBS-06-AD.Z08.Z00.35.0 (732 450)
DN10	59,00	42,00	17,20	14,00	78,00	20,00	BBS-06-AD.Z10.Z00.35.0 (732 454)
DN15	62,00	45,00	21,30	18,10	78,00	20,00	BBS-06-AD.Z15.Z00.35.0 (732 463)
DN20	69,00	52,00	26,90	23,70	78,00	20,00	BBS-06-AD.Z20.Z00.35.0 (732 467)
DN25	74,00	57,00	33,70	29,70	88,00	25,00	BBS-06-AD.Z25.Z00.35.0 (732 473)
DN32	82,00	65,00	42,40	38,40	88,00	25,00	BBS-06-AD.Z32.Z00.35.0 (732 481)
DN40	88,00	71,00	48,30	44,30	88,00	25,00	BBS-06-AD.Z40.Z00.35.0 (732 491)
DN50	103,00	85,00	60,30	56,30	88,00	25,00	BBS-06-AD.Z50.Z00.35.0 (732 499)
DN65	125,00	104,00	76,10	72,10	95,00	26,00	BBS-06-AD.Z65.Z00.35.0 (732 503)
DN80	137,00	116,00	88,90	84,30	112,00	30,00	BBS-06-AD.Z80.Z00.35.0 (732 509)
DN100	168,00	146,00	114,30	109,70	115,00	30,00	BBS-06-AD.Z100.Z00.35.0 (732 457)
DN125	194,00	172,00	139,70	134,50	115,00	30,00	BBS-06-AD.Z125.Z00.35.0 (732 462)

Orifice	D [mm]	TK [mm]	Da [mm]	Di [mm]	L [mm]	S [mm]	Item no. FEP
<b>ISO Dimensions Sterile orbital flange</b>							
DN08	54,00	37,00	13,50	10,30	78,00	20,00	BBS-06-AD.Z08.Z00.35.3 (732 452)
DN10	59,00	42,00	17,20	14,00	78,00	20,00	BBS-06-AD.Z10.Z00.35.3 (732 455)
DN15	62,00	45,00	21,30	18,10	78,00	20,00	BBS-06-AD.Z15.Z00.35.3 (732 465)
DN20	69,00	52,00	26,90	23,70	78,00	20,00	BBS-06-AD.Z20.Z00.35.3 (732 469)
DN25	74,00	57,00	33,70	29,70	88,00	25,00	BBS-06-AD.Z25.Z00.35.3 (732 475)
DN32	82,00	65,00	42,40	38,40	88,00	25,00	BBS-06-AD.Z32.Z00.35.3 (732 483)
DN40	88,00	71,00	48,30	44,30	88,00	25,00	BBS-06-AD.Z40.Z00.35.3 (732 493)
DN50	103,00	85,00	60,30	56,30	88,00	25,00	BBS-06-AD.Z50.Z00.35.3 (732 501)
DN65	125,00	104,00	76,10	72,10	95,00	26,00	BBS-06-AD.Z65.Z00.35.3 (732 505)
DN80	137,00	116,00	88,90	84,30	112,00	30,00	BBS-06-AD.Z80.Z00.35.3 (732 511)
DN100	168,00	146,00	114,30	109,70	115,00	30,00	BBS-06-AD.Z100.Z00.35.3 (732 459)
DN125	194,00	172,00	139,70	134,50	115,00	30,00	BBS-06-AD.Z125.Z00.35.3 (on request)

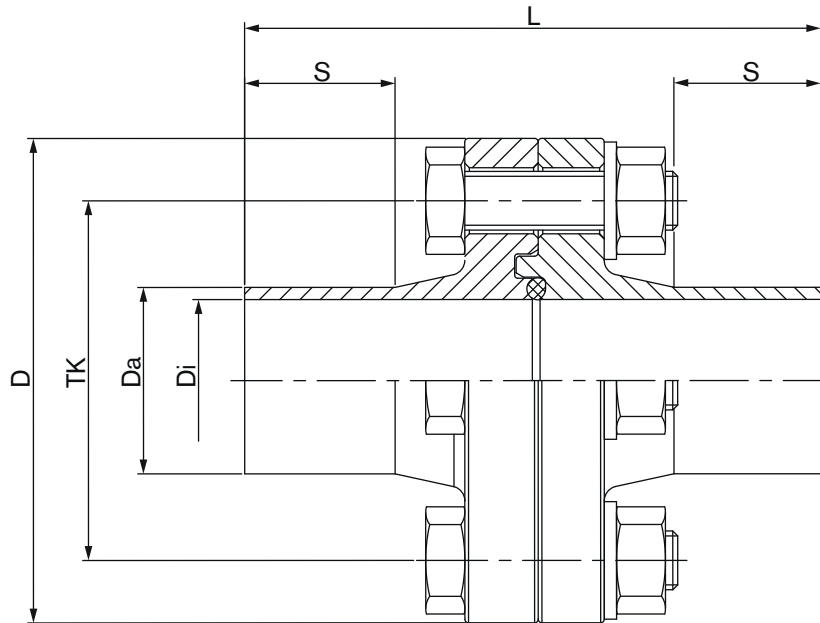
**Dimension [mm] Sterile orbital flange**



Orifice	D [mm]	TK [mm]	Da [mm]	Di [mm]	L [mm]	S [mm]	Item no. EPDM
<b>SMS Dimensions Sterile orbital flange</b>							
DN10	54,00	37,00	12,00	10,00	78,50	20,00	BBS-06-AD.F10.F00.35.0 (732 394)
DN15	59,00	42,00	18,00	16,00	78,00	20,00	BBS-06-AD.β15.β00.35.0 (on request)
DN20	59,00	45,00	22,00	20,00	78,50	20,00	BBS-06-AD.β20.β00.35.0 (on request)
DN25	66,00	49,00	25,00	22,60	78,50	20,00	BBS-06-AD.β25.β00.35.0 (on request)
DN32	74,00	57,00	32,00	29,60	88,00	25,00	BBS-06-AD.β32.β00.35.0 (on request)
DN40	79,00	62,00	38,00	35,60	88,00	25,00	BBS-06-AD.β40.β00.35.0 (on request)
DN50	94,00	77,00	51,00	48,60	88,00	25,00	BBS-06-AD.β50.β00.35.0 (on request)
DN65	107,00	89,00	63,50	60,20	88,00	25,00	BBS-06-AD.β65.β00.35.0 (on request)
DN80	125,00	104,00	76,10	72,90	95,00	26,00	BBS-06-AD.β80.β00.35.0 (on request)
DN100	on request		101,60	97,60	on request		BBS-06-AD.β100.β00.35.0 (on request)

Orifice	D [mm]	TK [mm]	Da [mm]	Di [mm]	L [mm]	S [mm]	Item no. FEP
<b>SMS Dimensions Sterile orbital flange</b>							
DN10	54,00	37,00	12,00	10,00	78,50	20,00	BBS-06-AD.F10.F00.35.3 (on request)
DN15	59,00	42,00	18,00	16,00	78,00	20,00	BBS-06-AD.β15.β00.35.3 (on request)
DN20	59,00	45,00	22,00	20,00	78,50	20,00	BBS-06-AD.β20.β00.35.3 (on request)
DN25	66,00	49,00	25,00	22,60	78,50	20,00	BBS-06-AD.β25.β00.35.3 (on request)
DN32	74,00	57,00	32,00	29,60	88,00	25,00	BBS-06-AD.β32.β00.35.3 (on request)
DN40	79,00	62,00	38,00	35,60	88,00	25,00	BBS-06-AD.β40.β00.35.3 (on request)
DN50	94,00	77,00	51,00	48,60	88,00	25,00	BBS-06-AD.β50.β00.35.3 (on request)
DN65	107,00	89,00	63,50	60,20	88,00	25,00	BBS-06-AD.β65.β00.35.3 (on request)
DN80	125,00	104,00	76,10	72,90	95,00	26,00	BBS-06-AD.β80.β00.35.3 (on request)
DN100	on request		101,60	97,60	on request		BBS-06-AD.β100.β00.35.3 (on request)

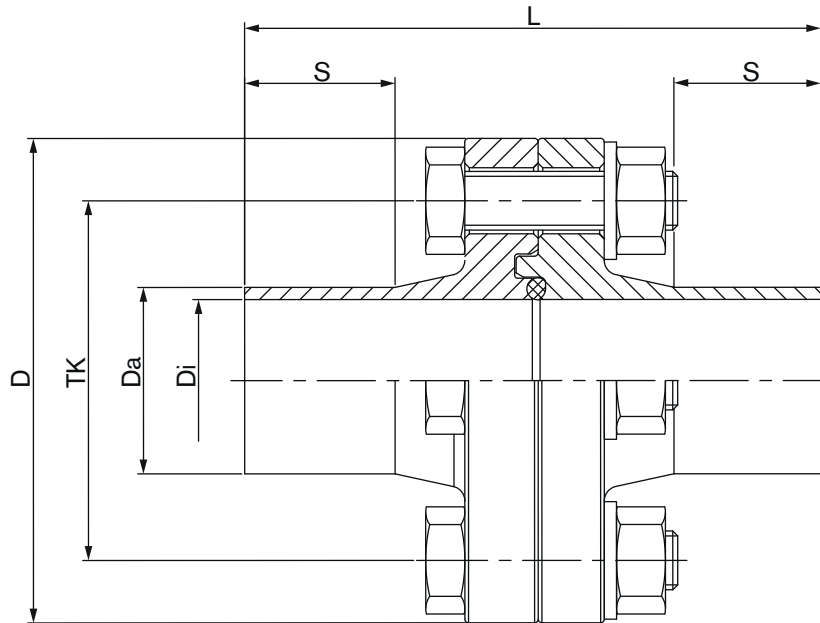
**Dimension [mm] Sterile orbital flange**



Orifice	D [mm]	TK [mm]	Da [mm]	Di [mm]	L [mm]	S [mm]	Item no. EPDM
<b>BS-OD Dimensions Sterile orbital flange</b>							
DN1/2"	54,00	37,00	12,70	9,40	78,00	20,00	BBS-06-AD.M05.M00.35.0 (732 416)
DN3/4"	59,00	42,00	19,05	15,75	78,00	20,00	BBS-06-AD.M07.M00.35.0 (732 420)
DN1"	66,00	49,00	25,40	22,10	78,50	20,00	BBS-06-AD.M10.M00.35.0 (732 424)
DN1 1/2"	79,00	62,00	38,10	34,80	88,00	25,00	BBS-06-AD.M15.M00.35.0 (732 428)
DN2"	92,00	75,00	50,80	47,50	88,00	25,00	BBS-06-AD.M20.M00.35.0 (732 432)
DN2 1/2"	107,00	89,00	63,50	60,20	88,00	25,00	BBS-06-AD.M25.M00.35.0 (732 436)
DN3"	125,00	104,00	76,20	72,90	95,00	26,00	BBS-06-AD.M30.M00.35.0 (732 440)
DN4"	157,00	135,00	101,60	97,38	146,00	35,00	BBS-06-AD.M40.M00.35.0 (732 444)

Orifice	D [mm]	TK [mm]	Da [mm]	Di [mm]	L [mm]	S [mm]	Item no. FEP
<b>BS-OD Dimensions Sterile orbital flange</b>							
DN1/2"	54,00	37,00	12,70	9,40	78,00	20,00	BBS-06-AD.M05.M00.35.3 (732 418)
DN3/4"	59,00	42,00	19,05	15,75	78,00	20,00	BBS-06-AD.M07.M00.35.3 (732 422)
DN1"	66,00	49,00	25,40	22,10	78,50	20,00	BBS-06-AD.M10.M00.35.3 (732 426)
DN1 1/2"	79,00	62,00	38,10	34,80	88,00	25,00	BBS-06-AD.M15.M00.35.3 (732 430)
DN2"	92,00	75,00	50,80	47,50	88,00	25,00	BBS-06-AD.M20.M00.35.3 (732 434)
DN2 1/2"	107,00	89,00	63,50	60,20	88,00	25,00	BBS-06-AD.M25.M00.35.3 (732 438)
DN3"	125,00	104,00	76,20	72,90	95,00	26,00	BBS-06-AD.M30.M00.35.3 (732 442)
DN4"	157,00	135,00	101,60	97,38	146,00	35,00	BBS-06-AD.M40.M00.35.3 (732 446)

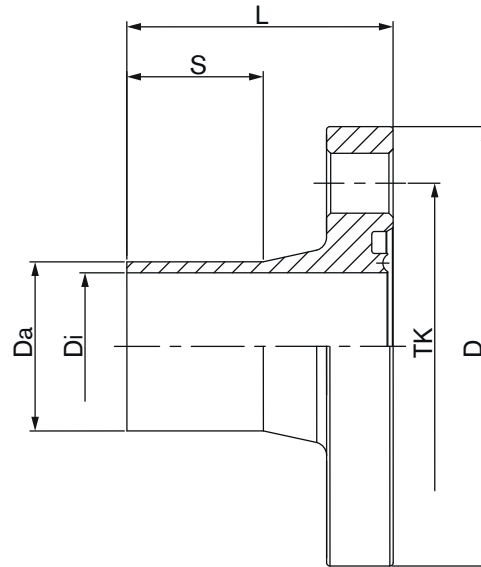
**Dimension [mm] Sterile orbital flange**



Orifice	D [mm]	TK [mm]	Da [mm]	Di [mm]	L [mm]	S [mm]	Item no. EPDM
<b>DIN Dimensions Sterile orbital flange</b>							
DN10	54,00	37,00	12,00	10,00	78,50	20,00	BBS-06-AD.F10.F00.35.0 (732 394)
DN10	54,00	37,00	13,00	10,00	78,50	20,00	BBS-06-AD.F10.F00.35.0-1 (on request)
DN15	59,00	45,00	19,00	16,00	78,50	20,00	BBS-06-AD.F15.F00.35.0 (732 398)
DN20	59,00	45,00	23,00	20,00	78,50	20,00	BBS-06-AD.F20.F00.35.0 (732 400)
DN25	70,00	53,00	29,00	26,00	78,50	20,00	BBS-06-AD.F25.F00.35.0 (732 402)
DN32	82,00	65,00	35,00	32,00	88,00	25,00	BBS-06-AD.F32.F00.35.0 (732 404)
DN40	82,00	65,00	41,00	38,00	88,00	25,00	BBS-06-AD.F40.F00.35.0 (732 406)
DN50	94,00	77,00	53,00	50,00	88,00	25,00	BBS-06-AD.F50.F00.35.0 (732 408)
DN65	113,00	95,00	70,00	66,00	88,50	25,00	BBS-06-AD.F65.F00.35.0 (732 410)
DN80	133,00	112,00	85,00	81,00	112,00	30,00	BBS-06-AD.F80.F00.35.0 (732 412)
DN100	on request		104,00	100,00	on request		BBS-06-AD.F100.F00.35.0 (733 396)

Orifice	D [mm]	TK [mm]	Da [mm]	Di [mm]	L [mm]	S [mm]	Item no. FEP
<b>DIN Dimensions Sterile orbital flange</b>							
DN10	54,00	37,00	12,00	10,00	78,50	20,00	BBS-06-AD.F10.F00.35.3 (on request)
DN10	54,00	37,00	13,00	10,00	78,50	20,00	BBS-06-AD.F10.F00.35.3-1 (on request)
DN15	59,00	45,00	19,00	16,00	78,50	20,00	BBS-06-AD.F15.F00.35.3 (on request)
DN20	59,00	45,00	23,00	20,00	78,50	20,00	BBS-06-AD.F20.F00.35.3 (on request)
DN25	70,00	53,00	29,00	26,00	78,50	20,00	BBS-06-AD.F25.F00.35.3 (on request)
DN32	82,00	65,00	35,00	32,00	88,00	25,00	BBS-06-AD.F32.F00.35.3 (on request)
DN40	82,00	65,00	41,00	38,00	88,00	25,00	BBS-06-AD.F40.F00.35.3 (on request)
DN50	94,00	77,00	53,00	50,00	88,00	25,00	BBS-06-AD.F50.F00.35.3 (on request)
DN65	113,00	95,00	70,00	66,00	88,50	25,00	BBS-06-AD.F65.F00.35.3 (on request)
DN80	133,00	112,00	85,00	81,00	112,00	30,00	BBS-06-AD.F80.F00.35.3 (732 414)
DN100	on request		104,00	100,00	on request		BBS-06-AD.F100.F00.35.3 (on request)

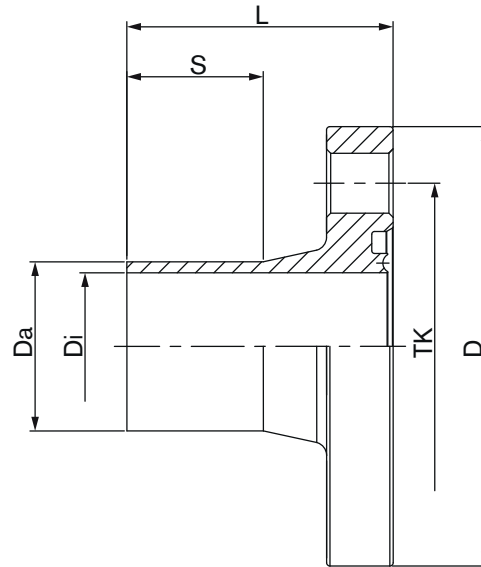
**Dimension [mm] Female flange**



Orifice	D [mm]	Da [mm]	Di [mm]	L [mm]	S [mm]	TK [mm]	Item no.	
<b>ISO Dimensions Female flange</b>								
DN08	54,00	13,50	10,30	40,00	20,00	37,00	BBS-06-B3.Z08.Z00.35.0	(732 746)
DN10	59,00	17,20	14,00	39,50	20,00	42,00	BBS-06-B3.Z10.Z00.35.0	(732 748)
DN15	62,00	21,30	18,10	39,50	20,00	45,00	BBS-06-B3.Z15.Z00.35.0	(732 756)
DN20	69,00	26,90	23,70	39,50	20,00	52,00	BBS-06-B3.Z20.Z00.35.0	(732 760)
DN25	74,00	33,70	29,70	44,50	25,00	57,00	BBS-06-B3.Z25.Z00.35.0	(732 762)
DN32	82,00	42,40	38,40	44,50	25,00	65,00	BBS-06-B3.Z32.Z00.35.0	(732 766)
DN40	88,00	48,30	44,30	44,50	25,00	71,00	BBS-06-B3.Z40.Z00.35.0	(732 772)
DN50	103,00	60,30	56,30	44,50	25,00	85,00	BBS-06-B3.Z50.Z00.35.0	(732 776)
DN65	125,00	76,10	72,10	48,00	26,00	104,00	BBS-06-B3.Z65.Z00.35.0	(732 780)
DN80	137,00	88,90	84,30	56,00	30,00	116,00	BBS-06-B3.Z80.Z00.35.0	(732 782)
DN100	168,00	114,30	109,70	58,00	30,00	146,00	BBS-06-B3.Z100.Z00.35.0	(732 752)
DN125	194,00	139,70	134,50	60,00	30,00	172,00	BBS-06-B3.Z125.Z00.35.0	(732 754)

Orifice	D [mm]	Da [mm]	Di [mm]	L [mm]	S [mm]	TK [mm]	Item no.	
<b>SMS Dimensions Female flange</b>								
DN10	54,00	12,00	10,00	40,00	20,00	37,00	BBS-06-B3.F10.F00.35.0	(732 726)
DN15	59,00	18,00	16,00	39,50	20,00	42,00	BBS-06-B3.β15.β00.35.0	(on request)
DN20	59,00	22,00	20,00	40,00	20,00	45,00	BBS-06-B3.β20.β00.35.0	(on request)
DN25	66,00	25,00	22,60	40,00	20,00	49,00	BBS-06-B3.β25.β00.35.0	(on request)
DN32	74,00	32,00	29,60	44,50	25,00	57,00	BBS-06-B3.β32.β00.35.0	(on request)
DN40	79,00	38,00	35,60	44,50	25,00	62,00	BBS-06-B3.β40.β00.35.0	(on request)
DN50	94,00	51,00	48,60	44,50	25,00	77,00	BBS-06-B3.β50.β00.35.0	(on request)
DN65	107,00	63,50	60,20	44,50	25,00	89,00	BBS-06-B3.β65.β00.35.0	(on request)
DN80	125,00	76,10	72,90	48,00	26,00	104,00	BBS-06-B3.β80.β00.35.0	(on request)
DN100		101,60	97,60	on request			BBS-06-B3.β100.β00.35.0	(on request)

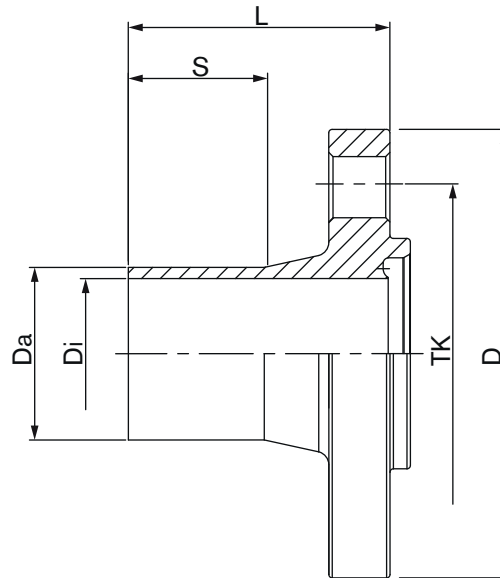
**Dimension [mm] Female flange**



Orifice	D [mm]	Da [mm]	Di [mm]	L [mm]	S [mm]	TK [mm]	Item no.	
<b>BS-OD Dimensions Female flange</b>								
DN1/2"	54,00	12,70	9,40	40,00	20,00	37,00	BBS-06-B0.M05.M00.35.0	(732 560)
DN3/4"	59,00	19,05	15,75	39,50	20,00	42,00	BBS-06-B0.M07.M00.35.0	(732 564)
DN1"	66,00	25,40	22,10	40,00	20,00	49,00	BBS-06-B0.M10.M00.35.0	(732 574)
DN1 1/2"	79,00	38,10	34,80	44,50	25,00	62,00	BBS-06-B0.M15.M00.35.0	(732 580)
DN2"	92,00	50,80	47,50	44,50	25,00	75,00	BBS-06-B0.M20.M00.35.0	(732 586)
DN2 1/2"	107,00	63,50	60,20	44,50	25,00	89,00	BBS-06-B0.M25.M00.35.0	(732 592)
DN3"	125,00	76,20	72,90	48,00	25,00	104,00	BBS-06-B0.M30.M00.35.0	(732 598)
DN4"	157,00	101,60	97,38	74,00	35,00	135,00	BBS-06-B0.M40.M00.35.0	(732 606)

Orifice	D [mm]	Da [mm]	Di [mm]	L [mm]	S [mm]	TK [mm]	Item no.	
<b>DIN Dimensions Female flange</b>								
DN10	54,00	12,00	10,00	40,00	20,00	37,00	BBS-06-B3.F10.F00.35.0	(732 726)
DN10	54,00	13,00	10,00	40,00	20,00	37,00	BBS-06-B3.F10.F00.35.0-1	(on request)
DN15	59,00	19,00	16,00	40,00	20,00	45,00	BBS-06-B3.F15.F00.35.0	(732 730)
DN20	59,00	23,00	20,00	40,00	20,00	45,00	BBS-06-B3.F20.F00.35.0	(732 732)
DN25	70,00	29,00	26,00	40,00	20,00	53,00	BBS-06-B3.F25.F00.35.0	(732 734)
DN32	82,00	35,00	32,00	44,50	25,00	65,00	BBS-06-B3.F32.F00.35.0	(732 736)
DN40	82,00	41,00	32,00	44,50	25,00	65,00	BBS-06-B3.F40.F00.35.0	(732 738)
DN50	94,00	53,00	50,00	44,50	25,00	77,00	BBS-06-B3.F50.F00.35.0	(732 740)
DN65	113,00	70,00	66,00	45,00	25,00	95,00	BBS-06-B3.F65.F00.35.0	(732 742)
DN80	133,00	85,00	81,00	56,00	30,00	112,00	BBS-06-B3.F80.F00.35.0	(732 744)
DN100		104,00	100,00	on request			BBS-06-B3.F100.F00.35.0	(732 728)

**Dimension [mm] Male flange**

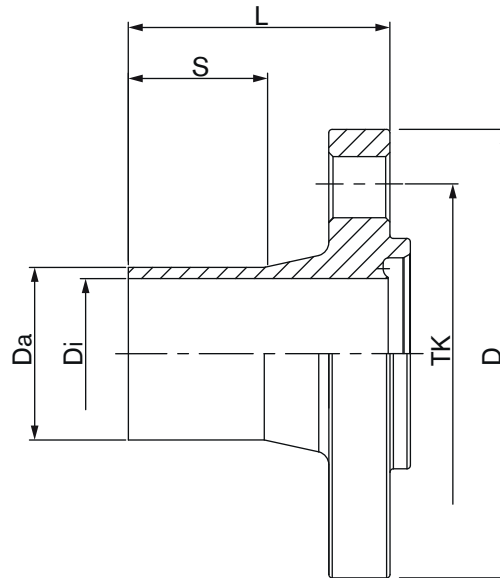


Orifice	D [mm]	Da [mm]	Di [mm]	L [mm]	S [mm]	TK [mm]	Item no.	
<b>ISO Dimensions Male flange</b>								
DN08	54,00	13,50	10,30	38,50	20,00	37,00	BBS-06-A3.Z08.Z00.35.0	(731 927)
DN10	59,00	17,20	14,00	38,50	20,00	42,00	BBS-06-A3.Z10.Z00.35.0	(731 929)
DN15	62,00	21,30	18,10	38,50	20,00	45,00	BBS-06-A3.Z15.Z00.35.0	(731 937)
DN20	69,00	26,90	23,70	38,50	20,00	52,00	BBS-06-A3.Z20.Z00.35.0	(731 941)
DN25	74,00	33,70	29,70	43,50	25,00	57,00	BBS-06-A3.Z25.Z00.35.0	(731 943)
DN32	82,00	42,40	38,40	43,50	25,00	65,00	BBS-06-A3.Z32.Z00.35.0	(731 946)
DN40	88,00	48,30	44,30	43,50	25,00	71,00	BBS-06-A3.Z40.Z00.35.0	(731 954)
DN50	103,00	60,30	56,30	43,50	25,00	85,00	BBS-06-A3.Z50.Z00.35.0	(731 958)
DN65	125,00	76,10	72,10	47,00	26,00	104,00	BBS-06-A3.Z65.Z00.35.0	(731 964)
DN80	137,00	88,90	84,30	56,00	30,00	116,00	BBS-06-A3.Z80.Z00.35.0	(731 966)
DN100	168,00	114,30	109,70	57,00	30,00	146,00	BBS-06-A3.Z100.Z00.35.0	(on request)
DN125	194,00	139,70	134,50	55,00	30,00	172,00	BBS-06-A3.Z125.Z00.35.0	(731 935)

Orifice	D [mm]	Da [mm]	Di [mm]	L [mm]	S [mm]	TK [mm]	Item no.	
<b>SMS Dimensions Male flange</b>								
DN10	54,00	12,00	10,00	41,50	20,00	37,00	BBS-06-A3.F10.F00.35.0	(731 906)
DN15	59,00	18,00	16,00	38,50	20,00	42,00	BBS-06-A3.β15.β00.35.0	(on request)
DN20	59,00	22,00	20,00	38,50	20,00	45,00	BBS-06-A3.β20.β00.35.0	(on request)
DN25	66,00	25,00	22,60	38,50	20,00	49,00	BBS-06-A3.β25.β00.35.0	(on request)
DN32	74,00	32,00	29,60	43,50	25,00	57,00	BBS-06-A3.β32.β00.35.0	(on request)
DN40	79,00	38,00	35,60	43,50	25,00	62,00	BBS-06-A3.β40.β00.35.0	(on request)
DN50	94,00	51,00	48,60	43,50	25,00	77,00	BBS-06-A3.β50.β00.35.0	(on request)
DN65	107,00	63,50	60,20	43,50	25,00	89,00	BBS-06-A3.β65.β00.35.0	(on request)
DN80	125,00	76,10	72,90	47,00	26,00	104,00	BBS-06-A3.β80.β00.35.0	(on request)
DN100		101,60	97,60	on request			BBS-06-A3.β100.β00.35.0	(on request)



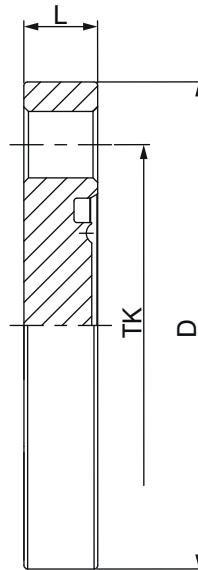
**Dimension [mm] Male flange**



Orifice	D [mm]	Da [mm]	Di [mm]	L [mm]	S [mm]	TK [mm]	Item no.	
<b>BS-OD Dimensions Male flange</b>								
DN1/2"	54,00	12,70	9,40	38,50	20,00	37,00	BBS-06-A0.M05.M00.35.0	(731 738)
DN3/4"	59,00	19,05	15,75	38,50	20,00	42,00	BBS-06-A0.M07.M00.35.0	(731 742)
DN1"	66,00	25,40	22,10	38,50	20,00	49,00	BBS-06-A0.M10.M00.35.0	(731 752)
DN1 1/2"	79,00	38,10	34,80	43,50	25,00	62,00	BBS-06-A0.M15.M00.35.0	(731 757)
DN2"	92,00	50,80	47,50	43,50	25,00	75,00	BBS-06-A0.M20.M00.35.0	(731 763)
DN2 1/2"	107,00	63,50	60,20	43,50	25,00	89,00	BBS-06-A0.M25.M00.35.0	(731 769)
DN3"	125,00	76,20	72,90	47,00	25,00	104,00	BBS-06-A0.M30.M00.35.0	(731 775)
DN4"	157,00	101,60	97,38	72,00	35,00	135,00	BBS-06-A0.M40.M00.35.0	(731 782)

Orifice	D [mm]	Da [mm]	Di [mm]	L [mm]	S [mm]	TK [mm]	Item no.	
<b>DIN Dimensions Male flange</b>								
DN10	54,00	12,00	10,00	38,50	20,00	37,00	BBS-06-A3.F10.F00.35.0	(731 906)
DN10	54,00	13,00	10,00	38,50	20,00	37,00	BBS-06-A3.F10.F00.35.0-1	(on request)
DN15	59,00	19,00	16,00	38,50	20,00	45,00	BBS-06-A3.F15.F00.35.0	(731 910)
DN20	59,00	23,00	20,00	38,50	20,00	45,00	BBS-06-A3.F20.F00.35.0	(731 911)
DN25	70,00	29,00	26,00	38,50	20,00	53,00	BBS-06-A3.F25.F00.35.0	(731 913)
DN32	82,00	35,00	32,00	43,50	25,00	65,00	BBS-06-A3.F32.F00.35.0	(731 915)
DN40	82,00	41,00	32,00	43,50	25,00	65,00	BBS-06-A3.F40.F00.35.0	(731 917)
DN50	94,00	53,00	50,00	43,50	25,00	77,00	BBS-06-A3.F50.F00.35.0	(731 919)
DN65	113,00	70,00	66,00	43,50	25,00	95,00	BBS-06-A3.F65.F00.35.0	(731 921)
DN80	133,00	85,00	81,00	56,00	35,00	112,00	BBS-06-A3.F80.F00.35.0	(731 923)
DN100		104,00	100,00	on request			BBS-06-A3.F100.F00.35.0	(731 908)

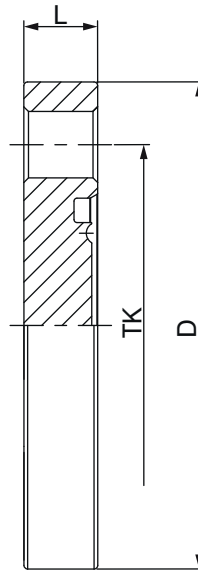
**Dimension [mm] Female flange blind cover**



Orifice	D [mm]	L [mm]	TK [mm]	Item no.	
<b>ISO Dimensions Female flange blind cover</b>					
DN08	54,00	10,00	37,00	BBS-06-D3.Z08.Z00.35.0	(733 127)
DN10	59,00	10,00	42,00	BBS-06-D3.Z10.Z00.35.0	(733 129)
DN15	62,00	10,00	45,00	BBS-06-D3.Z15.Z00.35.0	(733 133)
DN20	69,00	12,00	52,00	BBS-06-D3.Z20.Z00.35.0	(733 135)
DN25	74,00	12,00	57,00	BBS-06-D3.Z25.Z00.35.0	(733 137)
DN32	82,00	12,00	65,00	BBS-06-D3.Z32.Z00.35.0	(733 141)
DN40	88,00	12,00	71,00	BBS-06-D3.Z40.Z00.35.0	(733 145)
DN50	103,00	12,00	85,00	BBS-06-D3.Z50.Z00.35.0	(733 149)
DN65	125,00	15,00	104,00	BBS-06-D3.Z65.Z00.35.0	(733 151)
DN80	137,00	16,00	116,00	BBS-06-D3.Z80.Z00.35.0	(733 153)
DN100	168,00	17,00	146,00	BBS-06-D3.Z100.Z00.35.0	(733 131)
DN125	194,00	17,00	172,00	BBS-06-D3.Z125.Z00.35.0	(on request)

Orifice	D [mm]	L [mm]	TK [mm]	Item no.	
<b>SMS Dimensions Female flange blind cover</b>					
DN10	54,00	10,00	37,00	BBS-06-D3.F10.F00.35.0	(on request)
DN15	59,00	10,00	42,00	BBS-06-D3.β15.β00.35.0	(on request)
DN20	59,00	10,00	45,00	BBS-06-D3.β20.β00.35.0	(on request)
DN25	66,00	10,00	49,00	BBS-06-D3.β25.β00.35.0	(on request)
DN32	74,00	12,00	57,00	BBS-06-D3.β32.β00.35.0	(on request)
DN40	79,00	10,00	62,00	BBS-06-D3.β40.β00.35.0	(on request)
DN50	94,00	10,00	77,00	BBS-06-D3.β50.β00.35.0	(on request)
DN65	107,00	10,00	89,00	BBS-06-D3.β50.β00.35.0	(on request)
DN80	125,00	15,00	104,00	BBS-06-D3.β50.β00.35.0	(on request)
DN100	on request			BBS-06-D3.β50.β00.35.0	(on request)

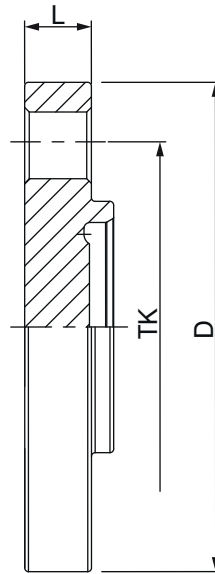
**Dimension [mm] Female flange blind cover**



Orifice	D [mm]	L [mm]	TK [mm]	Item no.	
<b>BS-OD Dimensions Female flange blind cover</b>					
DN1/2"	54,00	10,00	37,00	BBS-06-D0.M05.M00.35.0	(732 978)
DN3/4"	59,00	10,00	42,00	BBS-06-D0.M07.M00.35.0	(732 982)
DN1"	66,00	10,00	49,00	BBS-06-D0.M10.M00.35.0	(732 986)
DN1 1/2"	79,00	10,00	62,00	BBS-06-D0.M15.M00.35.0	(732 990)
DN2"	92,00	10,00	75,00	BBS-06-D0.M20.M00.35.0	(732 994)
DN2 1/2"	107,00	10,00	89,00	BBS-06-D0.M25.M00.35.0	(732 998)
DN3"	125,00	12,00	104,00	BBS-06-D0.M30.M00.35.0	(733 002)
DN4"	157,00	12,00	135,00	BBS-06-D0.M40.M00.35.0	(733 006)

Orifice	D [mm]	L [mm]	TK [mm]	Item no.	
<b>DIN Dimensions Female flange blind cover</b>					
DN10	54,00	10,00	37,00	BBS-06-D3.F10.F00.35.0	(on request)
DN15	59,00	10,00	45,00	BBS-06-D3.F15.F00.35.0	(743 677)
DN20	59,00	10,00	45,00	BBS-06-D3.F20.F00.35.0	(on request)
DN25	70,00	10,00	53,00	BBS-06-D3.F25.F00.35.0	(on request)
DN32	82,00	10,00	65,00	BBS-06-D3.F32.F00.35.0	(on request)
DN40	82,00	10,00	65,00	BBS-06-D3.F40.F00.35.0	(on request)
DN50	94,00	10,00	77,00	BBS-06-D3.F50.F00.35.0	(733 123)
DN65	113,00	10,00	95,00	BBS-06-D3.F65.F00.35.0	(on request)
DN80	133,00	12,00	112,00	BBS-06-D3.F80.F00.35.0	(on request)
DN100	on request			BBS-06-D3.F100.F00.35.0	(733 121)

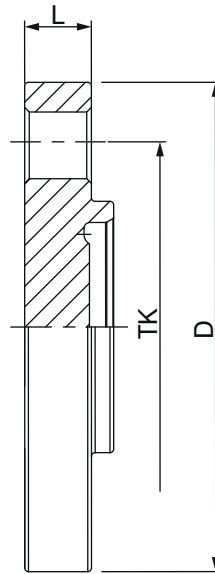
**Dimension [mm] Male flange blind cover**



Orifice	D [mm]	L [mm]	TK [mm]	Item no.	
<b>ISO Dimensions Male flange blind cover</b>					
DN08	54,00	8,50	37,00	BBS-06-L3.Z08.Z00.35.0	(733 587)
DN10	59,00	9,00	42,00	BBS-06-L3.Z10.Z00.35.0	(733 591)
DN15	62,00	9,00	45,00	BBS-06-L3.Z15.Z00.35.0	(733 597)
DN20	69,00	9,00	52,00	BBS-06-L3.Z20.Z00.35.0	(733 600)
DN25	74,00	9,00	57,00	BBS-06-L3.Z25.Z00.35.0	(733 603)
DN32	82,00	9,00	65,00	BBS-06-L3.Z32.Z00.35.0	(733 606)
DN40	88,00	9,00	71,00	BBS-06-L3.Z40.Z00.35.0	(733 612)
DN50	103,00	9,00	85,00	BBS-06-L3.Z50.Z00.35.0	(733 615)
DN65	125,00	11,00	104,00	BBS-06-L3.Z65.Z00.35.0	(733 619)
DN80	137,00	12,00	116,00	BBS-06-L3.Z80.Z00.35.0	(733 623)
DN100	168,00	13,00	146,00	BBS-06-L3.Z100.Z00.35.0	(733 594)
DN125	194,00	15,00	172,00	BBS-06-L3.Z125.Z00.35.0	(on request)

Orifice	D [mm]	L [mm]	TK [mm]	Item no.	
<b>SMS Dimensions Male flange blind cover</b>					
DN10	54,00	9,00	37,00	BBS-06-L3.F10.F00.35.0	(on request)
DN15	59,00	9,00	42,00	BBS-06-L3.B15.E00.35.0	(on request)
DN20	59,00	9,00	45,00	BBS-06-L3.B20.E00.35.0	(on request)
DN25	66,00	9,00	49,00	BBS-06-L3.B25.E00.35.0	(on request)
DN32	74,00	9,00	57,00	BBS-06-L3.B32.E00.35.0	(on request)
DN40	79,00	9,00	62,00	BBS-06-L3.B40.E00.35.0	(on request)
DN50	94,00	9,00	77,00	BBS-06-L3.B50.E00.35.0	(on request)
DN65	107,00	9,00	89,00	BBS-06-L3.B65.E00.35.0	(on request)
DN80	125,00	11,00	104,00	BBS-06-L3.B80.E00.35.0	(on request)
DN100	on request			BBS-06-L3.B100.E00.35.0	(on request)

**Dimension [mm] Male flange blind cover**



Orifice	D [mm]	L [mm]	TK [mm]	Item no.	
<b>BS-OD Dimensions Male flange blind cover</b>					
DN1/2"	54,00	8,50	37,00	BBS-06-L0.M05.M00.35.0	(743 868)
DN3/4"	59,00	9,00	42,00	BBS-06-L0.M07.M00.35.0	(743 869)
DN1"	66,00	9,00	49,00	BBS-06-L0.M10.M00.35.0	(743 870)
DN1 1/2"	79,00	9,00	62,00	BBS-06-L0.M15.M00.35.0	(743 871)
DN2"	92,00	9,00	75,00	BBS-06-L0.M20.M00.35.0	(743 872)
DN2 1/2"	107,00	9,00	89,00	BBS-06-L0.M20.M00.35.0	(743 873)
DN3"	125,00	11,00	104,00	BBS-06-L0.M20.M00.35.0	(743 874)
DN4"	157,00	12,00	135,00	BBS-06-L0.M20.M00.35.0	(743 875)

Grösse	D [mm]	L [mm]	TK [mm]	Item no.	
<b>DIN Dimensions Male flange blind cover</b>					
DN10	54,00	10,00	37,00	BBS-06-D3.F10.F00.35.0	(on request)
DN15	59,00	10,00	45,00	BBS-06-D3.F15.F00.35.0	(743 677)
DN20	59,00	10,00	45,00	BBS-06-D3.F20.F00.35.0	(on request)
DN25	70,00	10,00	53,00	BBS-06-D3.F25.F00.35.0	(on request)
DN32	82,00	10,00	65,00	BBS-06-D3.F32.F00.35.0	(on request)
DN40	82,00	10,00	65,00	BBS-06-D3.F40.F00.35.0	(on request)
DN50	94,00	10,00	77,00	BBS-06-D3.F50.F00.35.0	(733 123)
DN65	113,00	10,00	95,00	BBS-06-D3.F65.F00.35.0	(on request)
DN80	133,00	12,00	112,00	BBS-06-D3.F80.F00.35.0	(on request)
DN100	on request			BBS-06-D3.F100.F00.35.0	(733 121)

**Dimension [mm] ISO O-Rings for sterile flange connection**



Orifice	Item no. EPDM		Item no. FEP	
<b>ISO O-Rings for sterile flange connection</b>				
DN08	BBS-02-01.N08.00.EP.0	(730 983)	BBS-02-01.N08.00.FE.3	(on request)
DN10	BBS-02-01.N10.00.EP.0	(731 004)	BBS-02-01.N10.00.FE.3	(731 006)
DN15	BBS-02-01.N15.00.EP.0	(731 058)	BBS-02-01.N15.00.FE.3	(731 060)
DN20	BBS-02-01.N20.00.EP.0	(731 101)	BBS-02-01.N20.00.FE.3	(731 103)
DN25	BBS-02-01.N25.00.EP.0	(731 141)	BBS-02-01.N25.00.FE.3	(731 143)
DN32	BBS-02-01.N32.00.EP.0	(731 187)	BBS-02-01.N32.00.FE.3	(731 189)
DN40	BBS-02-01.N40.00.EP.0	(731 216)	BBS-02-01.N40.00.FE.3	(731 218)
DN50	BBS-02-01.N50.10.EP.0	(731 267)	BBS-02-01.N50.10.FE.3	(731 269)
DN65	BBS-02-01.N65.00.EP.0	(731 287)	BBS-02-01.N65.00.FE.3	(731 289)
DN80	BBS-02-01.N80.00.EP.0	(731 310)	BBS-02-01.N80.00.FE.3	(731 312)
DN100	BBS-02-01.N100.00.EP.0	(731 031)	BBS-02-01.N100.00.FE.3	(731 033)
DN125	BBS-02-01.N125.00.EP.0	(731 048)	BBS-02-01.N125.00.FE.3	(731 050)

Orifice	Item no. Silicone		Item no. FKM	
<b>ISO O-Rings for sterile flange connection</b>				
DN08	BBS-02-01.N08.00.SI.1	(730 989)	BBS-02-01.N08.00.VI.2	(on request)
DN10	BBS-02-01.N10.00.SI.1	(731 015)	BBS-02-01.N10.00.VI.2	(731 017)
DN15	BBS-02-01.N15.00.SI.1	(731 068)	BBS-02-01.N15.00.VI.2	(731 070)
DN20	BBS-02-01.N20.00.SI.1	(731 110)	BBS-02-01.N20.00.VI.2	(731 112)
DN25	BBS-02-01.N25.00.SI.1	(731 151)	BBS-02-01.N25.00.VI.2	(731 153)
DN32	BBS-02-01.N32.00.SI.1	(731 195)	BBS-02-01.N32.00.VI.2	(731 198)
DN40	BBS-02-01.N40.00.SI.1	(731 226)	BBS-02-01.N40.00.VI.2	(731 228)
DN50	BBS-02-01.N50.10.SI.1	(on request)	BBS-02-01.N50.10.VI.2	(on request)
DN65	BBS-02-01.N65.00.SI.1	(731 295)	BBS-02-01.N65.00.VI.2	(731 297)
DN80	BBS-02-01.N80.00.SI.1	(731 318)	BBS-02-01.N80.00.VI.2	(731 320)
DN100	BBS-02-01.N100.00.SI.1	(731 037)	BBS-02-01.N100.00.VI.2	(731 039)
DN125	BBS-02-01.N125.00.SI.1	(731 054)	BBS-02-01.N125.00.VI.2	(731 056)

**Dimension [mm] SMS O-Rings for sterile flange connection**



Orifice	Item no. EPDM		Item no. FEP	
<b>SMS O-Rings for sterile flange connection</b>				
DN10	BBS-02-01.D10.00.EP.0	(730 369)	BBS-02-01.D10.00.FE.3	(730 371)
DN15	BBS-02-01.K07.00.EP.0	(730 792)	BBS-02-01.K07.00.FE.3	(730 794)
DN20	BBS-02-01.D20.00.EP.0	(730 460)	BBS-02-01.D20.00.FE.3	(730 462)
DN25	BBS-02-01.K10.00.EP.0	(730 811)	BBS-02-01.K10.00.FE.3	(730 813)
DN32	BBS-02-01.N25.00.EP.0	(731 141)	BBS-02-01.N25.00.FE.3	(731 143)
DN40	BBS-02-01.K15.00.EP.0	(730 837)	BBS-02-01.K15.00.FE.3	(730 839)
DN50	BBS-02-01.K20.00.EP.0	(730 867)	BBS-02-01.K20.00.FE.3	(730 870)
DN65	BBS-02-01.K25.00.EP.0	(730 890)	BBS-02-01.K25.00.FE.3	(730 892)
DN80	BBS-02-01.K30.00.EP.0	(730 913)	BBS-02-01.K30.00.FE.3	(730 915)
DN100	on request		on request	

Orifice	Item no. Silicone		Item no. FKM	
<b>SMS O-Rings for sterile flange connection</b>				
DN10	BBS-02-01.D10.00.SI.1	(730 373)	BBS-02-01.D10.00.VI.2	(730 375)
DN15	BBS-02-01.K07.00.SI.1	(730 796)	BBS-02-01.K07.00.VI.2	(730 798)
DN20	BBS-02-01.D20.00.SI.1	(730 464)	BBS-02-01.D20.00.VI.2	(730 466)
DN25	BBS-02-01.K10.00.SI.1	(730 815)	BBS-02-01.K10.00.VI.2	(730 817)
DN32	BBS-02-01.N25.00.SI.1	(731 151)	BBS-02-01.N25.00.VI.2	(731 153)
DN40	BBS-02-01.K15.00.SI.1	(730 841)	BBS-02-01.K15.00.VI.2	(730 843)
DN50	BBS-02-01.K20.00.SI.1	(730 872)	BBS-02-01.K20.00.VI.2	(730 874)
DN65	BBS-02-01.K25.00.SI.1	(730 894)	BBS-02-01.K25.00.VI.2	(730 896)
DN80	BBS-02-01.K30.00.SI.1	(730 917)	BBS-02-01.K30.00.VI.2	(730 919)
DN100	on request		on request	

**Dimension [mm] BS-OD O-Rings for sterile flange connection**



Orifice	Item no. EPDM		Item no. FEP	
<b>BS-OD O-Rings for sterile flange connection</b>				
DN1/2"	BBS-02-01.K05.00.EP.0	(730 766)	BBS-02-01.K05.00.FE.3	(730 768)
DN3/4"	BBS-02-01.K07.00.EP.0	(730 792)	BBS-02-01.K07.00.FE.3	(730 794)
DN1"	BBS-02-01.K10.00.EP.0	(730 811)	BBS-02-01.K10.00.FE.3	(730 813)
DN1 1/2"	BBS-02-01.K15.00.EP.0	(730 837)	BBS-02-01.K15.00.FE.3	(730 839)
DN2"	BBS-02-01.K20.00.EP.0	(730 867)	BBS-02-01.K20.00.FE.3	(730 870)
DN2 1/2"	BBS-02-01.K25.00.EP.0	(730 890)	BBS-02-01.K25.00.FE.3	(730 892)
DN3"	BBS-02-01.K30.00.EP.0	(730 913)	BBS-02-01.K30.00.FE.3	(730 915)
DN4"	BBS-02-01.K40.00.EP.0	(730 938)	BBS-02-01.K40.00.FE.3	(730 940)

Orifice	Item no. Silicone		Item no. FKM	
<b>BS-OD O-Rings for sterile flange connection</b>				
DN1/2"	BBS-02-01.K05.00.SI.1	(730 770)	BBS-02-01.K05.00.VI.2	(730 772)
DN3/4"	BBS-02-01.K07.00.SI.1	(730 796)	BBS-02-01.K07.00.VI.2	(730 798)
DN1"	BBS-02-01.K10.00.SI.1	(730 815)	BBS-02-01.K10.00.VI.2	(730 817)
DN1 1/2"	BBS-02-01.K15.00.SI.1	(730 841)	BBS-02-01.K15.00.VI.2	(730 843)
DN2"	BBS-02-01.K20.00.SI.1	(730 872)	BBS-02-01.K20.00.VI.2	(730 874)
DN2 1/2"	BBS-02-01.K25.00.SI.1	(730 894)	BBS-02-01.K25.00.VI.2	(730 896)
DN3"	BBS-02-01.K30.00.SI.1	(730 917)	BBS-02-01.K30.00.VI.2	(730 919)
DN4"	BBS-02-01.K40.00.SI.1	(730 942)	BBS-02-01.K40.00.VI.2	(730 944)



**Dimension [mm] DIN O-Rings for sterile flange connection**

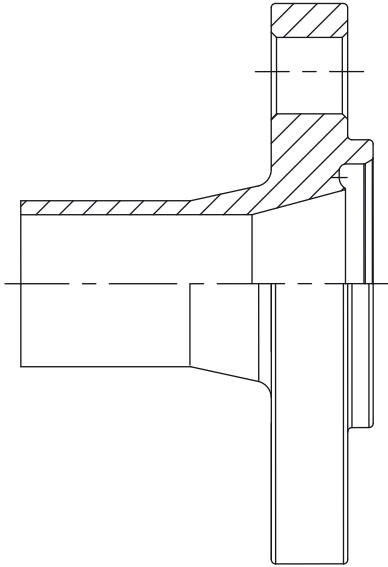


Orifice	Item no. EPDM		Item no. FEP	
<b>DIN O-Rings for sterile flange connection</b>				
DN10	BBS-02-01.D10.00.EP.0	(730 369)	BBS-02-01.D10.00.FE.3	(730 371)
DN15	BBS-02-01.D15.00.EP.0	(730 412)	BBS-02-01.D15.00.FE.3	(730 414)
DN20	BBS-02-01.D20.00.EP.0	(730 460)	BBS-02-01.D20.00.FE.3	(730 462)
DN25	BBS-02-01.D25.00.EP.0	(730 497)	BBS-02-01.D25.00.FE.3	(730 499)
DN32	BBS-02-01.D32.00.EP.0	(730 546)	BBS-02-01.D32.00.FE.3	(730 548)
DN40	BBS-02-01.D40.00.EP.0	(730 573)	BBS-02-01.D40.00.FE.3	(730 575)
DN50	BBS-02-01.D50.00.EP.0	(730 606)	BBS-02-01.D50.00.FE.3	(730 608)
DN65	BBS-02-01.D65.00.EP.0	(730 647)	BBS-02-01.D65.00.FE.3	(730 649)
DN80	BBS-02-01.D80.00.EP.0	(730 678)	BBS-02-01.D80.00.FE.3	(730 680)
DN100	BBS-02-01.D100.00.EP.0	(730 389)	BBS-02-01.D100.00.FE.3	(730 391)

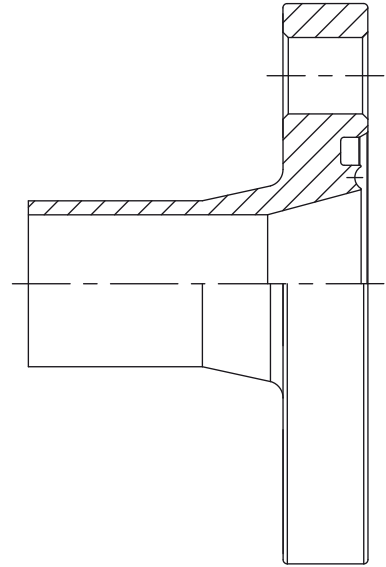
Orifice	Item no. Silicone		Item no. FKM	
<b>DIN O-Rings for sterile flange connection</b>				
DN10	BBS-02-01.D10.00.SI.1	(730 373)	BBS-02-01.D10.00.VI.2	(730 375)
DN15	BBS-02-01.D15.00.SI.1	(730 416)	BBS-02-01.D15.00.VI.2	(730 418)
DN20	BBS-02-01.D20.00.SI.1	(730 464)	BBS-02-01.D20.00.VI.2	(730 466)
DN25	BBS-02-01.D25.00.SI.1	(730 501)	BBS-02-01.D25.00.VI.2	(730 503)
DN32	BBS-02-01.D32.00.SI.1	(730 550)	BBS-02-01.D32.00.VI.2	(730 552)
DN40	BBS-02-01.D40.00.SI.1	(730 577)	BBS-02-01.D40.00.VI.2	(730 579)
DN50	BBS-02-01.D50.00.SI.1	(730 610)	BBS-02-01.D50.00.VI.2	(730 612)
DN65	BBS-02-01.D65.00.SI.1	(730 651)	BBS-02-01.D65.00.VI.2	(730 653)
DN80	BBS-02-01.D80.00.SI.1	(730 682)	BBS-02-01.D80.00.VI.2	(730 684)
DN100	BBS-02-01.D100.00.SI.1	(730 393)	BBS-02-01.D100.00.VI.2	(730 395)

As follows versions available on request

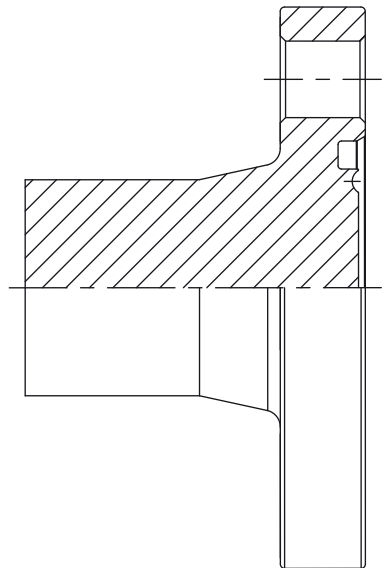
**Male flange reducer**



**Female flange reducer**



**Female end flange**



**Male end flange**

