

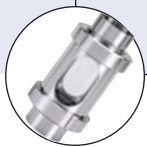
BBS-06

Flange connection
acc. to DIN 11864-2

Aseptic flange connection



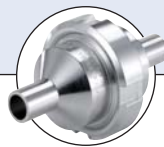
Hygienic Processing components...



Type BBS-3F
Flow indicator



Type BBS-04
Silicone hose



Type BBS-10
Check valve



Type BBS-03
Sterile threaded
connection



Type BBS-05
Clamping connection



Type 2103
Diaphragm valve

- Design acc. to DIN 11864-2
- All medium contact materials traceable
- Component of the BBS modular system

The aseptic flange connection has been developed with aseptic applications firmly in the mind. It is available in virtually all sizes, standards and configurations.

The design incorporates use of a standard dimension O-Ring which gives flexibility of material choice.

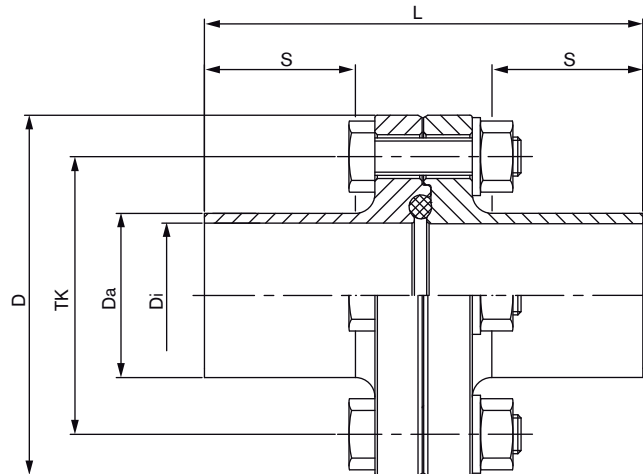
For increase process security and improved cleaning capabilities we recommend BBS-06 sterile flanges.

Applications

- Biotechnology
- Pharmaceutical
- Chemical industry
- Dairy
- Food
- Cosmetic

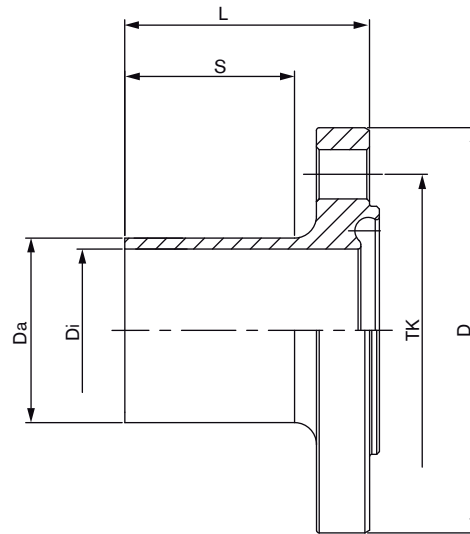
| Technical data | |
|----------------------------------|--|
| Available standard sizes | ISO DN08 to DN100 DIN DN10 to DN150 BS-OD DN1/2" to DN4" |
| Material medium contact | Stainless steel 1.4435 BN2 (316L) Special materials e.g. Hastelloy 2.4602, Titanium, 1.4539 etc. on request |
| Material medium separated | 1.4305 or equivalent |
| Seals | O-ring, EPDM, FEP, special seal material e.g. FFKM, pure PTFE etc. on request |
| Surface quality | Medium contacted surface < Ra 0,8µm, electro polished, finer surface on request |
| Operating temperature | EPDM seal material: -40°C to 90°C, temporary to 140°C FEP seal material: -60°C to 160°C, temporary to 205°C |
| Ambient temperature | -20 to +80 °C |
| Media | Gases or liquids |
| Operating pressure | ISO DN08 to DN25 = 25 bar ISO DN32 to DN80 = 16 bar ISO DN100 = 10 bar DIN DN10 to DN40 = 25 bar DIN DN50 to DN100 = 16 bar DIN DN125 to DN150 = 10 bar BS-OD DN1/2" to DN1 1/2" = 25 bar BS-OD DN2" to DN4" = 16 bar |
| Applicable standards | Pipe connection acc. to DIN 11866 ISO dimensions series B (ISO 4200) DIN dimensions Series A (DIN 11850) BS-OD dimensions Series C (ASME BPE) Sealing acc. to DIN 11864-1, Form A |
| Certifications | Material 3.1, FDA, USP VI |

Dimensions [mm] Aseptic flange connection acc. to DIN 11864-2



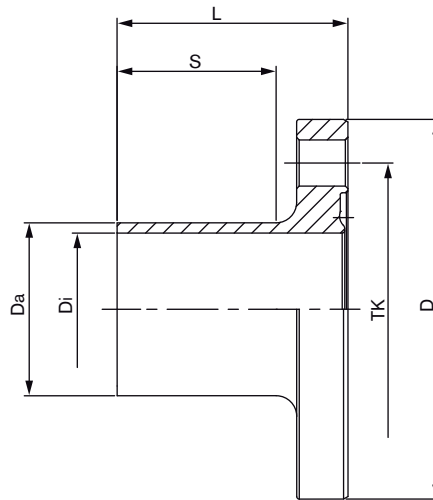
| Orifice | D [mm] | TK [mm] | Da [mm] | Di [mm] | L [mm] | S [mm] | Item no. EPDM | | Item no. FEP | |
|---|--------|---------|---------|---------|--------|--------|--------------------------|--------------|--------------------------|--------------|
| ISO Dimensions Aseptic flange connection | | | | | | | | | | |
| DN08 | 54.00 | 37.00 | 13.50 | 10.30 | 80.00 | 26.00 | BBS-06-AA.Z08.64A.35.0 | (732 224) | BBS-06-AA.Z08.64A.35.3 | (732 226) |
| DN10 | 59.00 | 42.00 | 17.20 | 14.00 | 80.00 | 26.00 | BBS-06-AA.Z10.64A.35.0 | (732 232) | BBS-06-AA.Z10.64A.35.3 | (732 234) |
| DN15 | 62.00 | 45.00 | 21.30 | 18.10 | 80.00 | 26.00 | BBS-06-AA.Z15.64A.35.0 | (732 260) | BBS-06-AA.Z15.64A.35.3 | (732 262) |
| DN20 | 69.00 | 52.00 | 26.90 | 23.70 | 80.00 | 26.00 | BBS-06-AA.Z20.64A.35.0 | (732 279) | BBS-06-AA.Z20.64A.35.3 | (732 281) |
| DN25 | 74.00 | 57.00 | 33.70 | 29.70 | 90.00 | 31.00 | BBS-06-AA.Z25.64A.35.0 | (732 299) | BBS-06-AA.Z25.64A.35.3 | (732 301) |
| DN32 | 82.00 | 65.00 | 42.40 | 38.40 | 90.00 | 31.00 | BBS-06-AA.Z32.64A.35.0 | (732 319) | BBS-06-AA.Z32.64A.35.3 | (732 321) |
| DN40 | 88.00 | 71.00 | 48.30 | 44.30 | 90.00 | 31.00 | BBS-06-AA.Z40.64A.35.0 | (732 333) | BBS-06-AA.Z40.64A.35.3 | (732 335) |
| DN50 | 103.00 | 85.00 | 60.30 | 56.30 | 108.00 | 42.00 | BBS-06-AA.Z50.64A.35.0 | (732 351) | BBS-06-AA.Z50.64A.35.3 | (732 353) |
| DN65 | 125.00 | 104.00 | 76.10 | 72.10 | 112.00 | 42.00 | BBS-06-AA.Z65.64A.35.0 | (732 369) | BBS-06-AA.Z65.64A.35.3 | (732 371) |
| DN80 | 137.00 | 116.00 | 88.90 | 84.30 | 120.00 | 42.00 | BBS-06-AA.Z80.64A.35.0 | (732 380) | BBS-06-AA.Z80.64A.35.3 | (732 382) |
| DN100 | 168.00 | 145.00 | 114.30 | 109.70 | 120.00 | 42.00 | BBS-06-AA.Z100.64A.35.0 | (732 242) | BBS-06-AA.Z100.64A.35.3 | (732 244) |
| DIN Dimensions Aseptic flange connection | | | | | | | | | | |
| DN10 | 54.00 | 37.00 | 12.00 | 10.00 | 80.00 | 26.00 | BBS-06-AA.F10.64A.35.0 | (on request) | BBS-06-AA.F10.64A.35.3 | (on request) |
| DN10 | 54.00 | 37.00 | 13.00 | 10.00 | 80.00 | 26.00 | BBS-06-AA.F10.64A.35.0-1 | (on request) | BBS-06-AA.F10.64A.35.3-1 | (on request) |
| DN15 | 59.00 | 42.00 | 19.00 | 16.00 | 80.00 | 26.00 | BBS-06-AA.F15.64A.35.0 | (on request) | BBS-06-AA.F15.64A.35.3 | (on request) |
| DN20 | 64.00 | 47.00 | 23.00 | 20.00 | 80.00 | 26.00 | BBS-06-AA.F20.64A.35.0 | (on request) | BBS-06-AA.F20.64A.35.3 | (on request) |
| DN25 | 70.00 | 53.00 | 29.00 | 26.00 | 80.00 | 26.00 | BBS-06-AA.F25.64A.35.0 | (on request) | BBS-06-AA.F25.64A.35.3 | (on request) |
| DN32 | 76.00 | 59.00 | 35.00 | 32.00 | 90.00 | 31.00 | BBS-06-AA.F32.64A.35.0 | (on request) | BBS-06-AA.F32.64A.35.3 | (on request) |
| DN40 | 82.00 | 65.00 | 41.00 | 38.00 | 90.00 | 31.00 | BBS-06-AA.F40.64A.35.0 | (732 024) | BBS-06-AA.F40.64A.35.3 | (on request) |
| DN50 | 94.00 | 77.00 | 53.00 | 50.00 | 90.00 | 31.00 | BBS-06-AA.F50.64A.35.0 | (732 030) | BBS-06-AA.F50.64A.35.3 | (732 032) |
| DN65 | 113.00 | 95.00 | 70.00 | 66.00 | 108.00 | 42.00 | BBS-06-AA.F65.64A.35.0 | (732 038) | BBS-06-AA.F65.64A.35.3 | (732 040) |
| DN80 | 133.00 | 112.00 | 85.00 | 81.00 | 116.00 | 42.00 | BBS-06-AA.F80.64A.35.0 | (on request) | BBS-06-AA.F80.64A.35.3 | (on request) |
| DN100 | 159.00 | 137.00 | 104.00 | 100.00 | 116.00 | 42.00 | BBS-06-AA.F100.64A.35.0 | (on request) | BBS-06-AA.F100.64A.35.3 | (on request) |
| DN125 | 183.00 | 161.00 | 129.00 | 125.00 | 120.00 | 42.00 | BBS-06-AA.F125.64A.35.0 | (on request) | BBS-06-AA.F125.64A.35.3 | (on request) |
| DN150 | 213.00 | 188.00 | 154.00 | 150.00 | 120.00 | 40.00 | BBS-06-AA.F150.64A.35.0 | (731 997) | BBS-06-AA.F100.64A.35.3 | (731 999) |
| BS-OD Dimensions Aseptic flange connection | | | | | | | | | | |
| DN1/2" | 54.00 | 37.00 | 12.70 | 9.40 | 80.00 | 26.00 | BBS-06-AA.M05.64A.35.0 | (on request) | BBS-06-AA.M05.64A.35.3 | (on request) |
| DN3/4" | 59.00 | 42.00 | 19.05 | 15.75 | 80.00 | 26.00 | BBS-06-AA.M07.64A.35.0 | (on request) | BBS-06-AA.M07.64A.35.3 | (on request) |
| DN1" | 66.00 | 49.00 | 25.40 | 22.10 | 80.00 | 26.00 | BBS-06-AA.M10.64A.35.0 | (732 065) | BBS-06-AA.M10.64A.35.3 | (732 067) |
| DN1 1/2" | 79.00 | 62.00 | 38.10 | 34.80 | 90.00 | 31.00 | BBS-06-AA.M15.64A.35.0 | (732 079) | BBS-06-AA.M15.64A.35.3 | (732 081) |
| DN2" | 92.00 | 75.00 | 50.80 | 47.50 | 90.00 | 31.00 | BBS-06-AA.M20.64A.35.0 | (732 088) | BBS-06-AA.M20.64A.35.3 | (732 090) |
| DN2 1/2" | 107.00 | 89.00 | 63.50 | 60.20 | 108.00 | 42.00 | BBS-06-AA.M25.64A.35.0 | (732 098) | BBS-06-AA.M25.64A.35.3 | (732 100) |
| DN3" | 125.00 | 104.00 | 76.20 | 72.90 | 112.00 | 42.00 | BBS-06-AA.M30.64A.35.0 | (732 108) | BBS-06-AA.M30.64A.35.3 | (732 110) |
| DN4" | 157.00 | 135.00 | 101.60 | 97.38 | 116.00 | 42.00 | BBS-06-AA.M40.64A.35.0 | (732 118) | BBS-06-AA.M40.64A.35.3 | (732 120) |

Dimensions [mm] Aseptic female flange



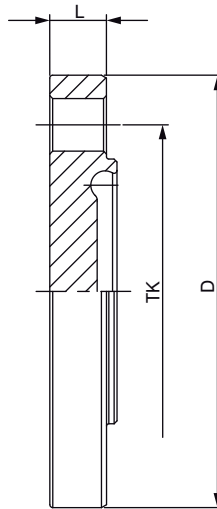
| Orifice | D [mm] | TK [mm] | Da [mm] | Di [mm] | L [mm] | S [mm] | Item no. |
|---|--------|---------|---------|---------|--------|--------|---------------------------------------|
| ISO Dimensions Aseptic female flange | | | | | | | |
| DN08 | 54.00 | 37.00 | 13.50 | 10.30 | 39.70 | 26.00 | BBS-06-A0.Z08.64A.35.0 (731 804) |
| DN10 | 59.00 | 42.00 | 17.20 | 14.00 | 39.70 | 26.00 | BBS-06-A0.Z10.64A.35.0 (731 809) |
| DN15 | 62.00 | 45.00 | 21.30 | 18.10 | 39.70 | 26.00 | BBS-06-A0.Z15.64A.35.0 (731 822) |
| DN20 | 69.00 | 52.00 | 26.90 | 23.70 | 39.70 | 26.00 | BBS-06-A0.Z20.64A.35.0 (731 828) |
| DN25 | 74.00 | 57.00 | 33.70 | 29.70 | 44.70 | 31.00 | BBS-06-A0.Z25.64A.35.0 (731 838) |
| DN32 | 82.00 | 65.00 | 42.40 | 38.40 | 44.70 | 31.00 | BBS-06-A0.Z32.64A.35.0 (731 853) |
| DN40 | 88.00 | 71.00 | 48.30 | 44.30 | 44.70 | 31.00 | BBS-06-A0.Z40.64A.35.0 (731 860) |
| DN50 | 103.00 | 85.00 | 60.30 | 56.30 | 53.70 | 42.00 | BBS-06-A0.Z50.64A.35.0 (731 872) |
| DN65 | 125.00 | 104.00 | 76.10 | 72.10 | 55.70 | 42.00 | BBS-06-A0.Z65.64A.35.0 (731 888) |
| DN80 | 137.00 | 116.00 | 88.90 | 84.30 | 57.70 | 42.00 | BBS-06-A0.Z80.64A.35.0 (731 896) |
| DN100 | 168.00 | 145.00 | 114.30 | 109.70 | 57.70 | 42.00 | BBS-06-A0.Z100.64A.35.0 (731 812) |
| DIN Dimensions Aseptic female flange | | | | | | | |
| DN10 | 54.00 | 37.00 | 12.00 | 10.00 | 39.70 | 26.00 | BBS-06-A0.F10.64A.35.0 (731 686) |
| DN10 | 54.00 | 37.00 | 13.00 | 10.00 | 39.70 | 26.00 | BBS-06-A0.F10.64A.35.0-1 (on request) |
| DN15 | 59.00 | 42.00 | 19.00 | 16.00 | 39.70 | 26.00 | BBS-06-A0.F15.64A.35.0 (730 370) |
| DN20 | 64.00 | 47.00 | 23.00 | 20.00 | 39.70 | 26.00 | BBS-06-A0.F20.64A.35.0 (on request) |
| DN25 | 70.00 | 53.00 | 29.00 | 26.00 | 39.70 | 26.00 | BBS-06-A0.F25.64A.35.0 (on request) |
| DN32 | 76.00 | 59.00 | 35.00 | 32.00 | 44.70 | 31.00 | BBS-06-A0.F32.64A.35.0 (on request) |
| DN40 | 82.00 | 65.00 | 41.00 | 38.00 | 44.70 | 31.00 | BBS-06-A0.F40.64A.35.0 (731 715) |
| DN50 | 94.00 | 77.00 | 53.00 | 50.00 | 44.70 | 31.00 | BBS-06-A0.F50.64A.35.0 (731 718) |
| DN65 | 113.00 | 95.00 | 70.00 | 66.00 | 53.70 | 42.00 | BBS-06-A0.F65.64A.35.0 (731 724) |
| DN80 | 133.00 | 112.00 | 85.00 | 81.00 | 57.70 | 42.00 | BBS-06-A0.F80.64A.35.0 (731 730) |
| DN100 | 159.00 | 137.00 | 104.00 | 100.00 | 57.70 | 42.00 | BBS-06-A0.F100.64A.35.0 (731 691) |
| DN125 | 183.00 | 161.00 | 129.00 | 125.00 | 59.70 | 42.00 | BBS-06-A0.F125.64A.35.0 (on request) |
| DN150 | 213.00 | 188.00 | 154.00 | 150.00 | 59.70 | 40.00 | BBS-06-A0.F150.64A.35.0 (731 701) |
| BS-OD Dimensions Aseptic female flange | | | | | | | |
| DN1/2" | 54.00 | 37.00 | 12.70 | 9.40 | 39.70 | 26.00 | BBS-06-A0.M05.64A.35.0 (on request) |
| DN3/4" | 59.00 | 42.00 | 19.05 | 15.75 | 39.70 | 26.00 | BBS-06-A0.M07.64A.35.0 (on request) |
| DN1" | 66.00 | 49.00 | 25.40 | 22.10 | 39.70 | 26.00 | BBS-06-A0.M10.64A.35.0 (731 744) |
| DN1 1/2" | 79.00 | 62.00 | 38.10 | 34.80 | 44.70 | 31.00 | BBS-06-A0.M15.64A.35.0 (731 753) |
| DN2" | 92.00 | 75.00 | 50.80 | 47.50 | 44.70 | 31.00 | BBS-06-A0.M20.64A.35.0 (731 759) |
| DN2 1/2" | 107.00 | 89.00 | 63.50 | 60.20 | 53.70 | 42.00 | BBS-06-A0.M25.64A.35.0 (731 765) |
| DN3" | 125.00 | 104.00 | 76.20 | 72.90 | 55.70 | 42.00 | BBS-06-A0.M30.64A.35.0 (731 771) |
| DN4" | 157.00 | 135.00 | 101.60 | 97.38 | 57.70 | 42.00 | BBS-06-A0.M40.64A.35.0 (731 777) |

Abmessung [mm] Aseptic male flange



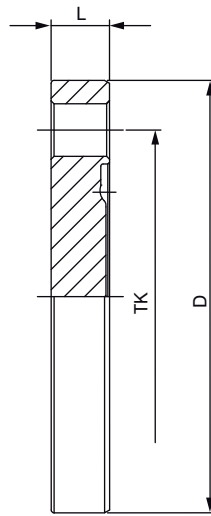
| Orifice | D [mm] | TK [mm] | Da [mm] | Di [mm] | L [mm] | S [mm] | Item no. | |
|---|--------|---------|---------|---------|--------|--------|--------------------------|--------------|
| ISO Dimensions Aseptic male flange | | | | | | | | |
| DN08 | 54.00 | 37.00 | 13.50 | 10.30 | 40.00 | 26.00 | BBS-06-B0.Z08.64A.35.0 | (732 632) |
| DN10 | 59.00 | 42.00 | 17.20 | 14.00 | 40.00 | 26.00 | BBS-06-B0.Z10.64A.35.0 | (732 636) |
| DN15 | 62.00 | 45.00 | 21.30 | 18.10 | 40.00 | 26.00 | BBS-06-B0.Z15.64A.35.0 | (732 647) |
| DN20 | 69.00 | 52.00 | 26.90 | 23.70 | 40.00 | 26.00 | BBS-06-B0.Z20.64A.35.0 | (732 653) |
| DN25 | 74.00 | 57.00 | 33.70 | 29.70 | 45.00 | 31.00 | BBS-06-B0.Z25.64A.35.0 | (732 665) |
| DN32 | 82.00 | 65.00 | 42.40 | 38.40 | 45.00 | 31.00 | BBS-06-B0.Z32.64A.35.0 | (732 675) |
| DN40 | 88.00 | 71.00 | 48.30 | 44.30 | 45.00 | 31.00 | BBS-06-B0.Z40.64A.35.0 | (732 683) |
| DN50 | 103.00 | 85.00 | 60.30 | 56.30 | 54.00 | 42.00 | BBS-06-B0.Z50.64A.35.0 | (732 697) |
| DN65 | 125.00 | 104.00 | 76.10 | 72.10 | 56.00 | 42.00 | BBS-06-B0.Z65.64A.35.0 | (732 711) |
| DN80 | 137.00 | 116.00 | 88.90 | 84.30 | 58.00 | 42.00 | BBS-06-B0.Z80.64A.35.0 | (732 717) |
| DN80 | 168.00 | 145.00 | 114.30 | 109.70 | 58.00 | 42.00 | BBS-06-B0.Z100.64A.35.0 | (732 640) |
| DIN Dimensions Aseptic male flange | | | | | | | | |
| DN10 | 54.00 | 37.00 | 12.00 | 10.00 | 40.00 | 26.00 | BBS-06-B0.F10.64A.35.0 | (on request) |
| DN10 | 54.00 | 37.00 | 13.00 | 10.00 | 40.00 | 26.00 | BBS-06-B0.F10.64A.35.0-1 | (743 661) |
| DN15 | 59.00 | 42.00 | 19.00 | 16.00 | 40.00 | 26.00 | BBS-06-B0.F15.64A.35.0 | (743 662) |
| DN20 | 64.00 | 47.00 | 23.00 | 20.00 | 40.00 | 26.00 | BBS-06-B0.F20.64A.35.0 | (743 663) |
| DN25 | 70.00 | 53.00 | 29.00 | 26.00 | 40.00 | 26.00 | BBS-06-B0.F25.64A.35.0 | (743 664) |
| DN32 | 76.00 | 59.00 | 35.00 | 32.00 | 45.00 | 31.00 | BBS-06-B0.F32.64A.35.0 | (743 665) |
| DN40 | 82.00 | 65.00 | 41.00 | 38.00 | 45.00 | 31.00 | BBS-06-B0.F40.64A.35.0 | (732 543) |
| DN50 | 94.00 | 77.00 | 53.00 | 50.00 | 45.00 | 31.00 | BBS-06-B0.F50.64A.35.0 | (732 547) |
| DN65 | 113.00 | 95.00 | 70.00 | 66.00 | 54.00 | 42.00 | BBS-06-B0.F65.64A.35.0 | (743 666) |
| DN80 | 133.00 | 112.00 | 85.00 | 81.00 | 58.00 | 42.00 | BBS-06-B0.F80.64A.35.0 | (743 667) |
| DN100 | 159.00 | 137.00 | 104.00 | 100.00 | 58.00 | 42.00 | BBS-06-B0.F100.64A.35.0 | (732 519) |
| DN125 | 183.00 | 161.00 | 129.00 | 125.00 | 60.00 | 42.00 | BBS-06-B0.F125.64A.35.0 | (743 668) |
| DN150 | 213.00 | 188.00 | 154.00 | 150.00 | 60.00 | 40.00 | BBS-06-B0.F150.64A.35.0 | (743 669) |
| BS OD Dimensions Aseptic male flange | | | | | | | | |
| DN1/2" | 54.00 | 37.00 | 12.70 | 9.40 | 40.00 | 26.00 | BBS-06-B0.M05.64A.35.0 | (on request) |
| DN3/4" | 59.00 | 42.00 | 19.05 | 15.75 | 40.00 | 26.00 | BBS-06-B0.M07.64A.35.0 | (on request) |
| DN1" | 66.00 | 49.00 | 25.40 | 22.10 | 44.00 | 25.00 | BBS-06-B0.M10.64A.35.0 | (732 566) |
| DN1 1/2" | 79.00 | 62.00 | 38.10 | 34.80 | 45.00 | 30.00 | BBS-06-B0.M15.64A.35.0 | (732 576) |
| DN2" | 92.00 | 75.00 | 50.80 | 47.50 | 45.00 | 31.00 | BBS-06-B0.M20.64A.35.0 | (732 582) |
| DN2 1/2" | 107.00 | 89.00 | 63.50 | 60.20 | 54.00 | 42.00 | BBS-06-B0.M25.64A.35.0 | (732 588) |
| DN3" | 125.00 | 104.00 | 76.20 | 72.90 | 56.00 | 42.00 | BBS-06-B0.M30.64A.35.0 | (732 594) |
| DN4" | 157.00 | 135.00 | 101.60 | 97.38 | 58.00 | 42.00 | BBS-06-B0.M40.64A.35.0 | (732 600) |

Dimensions [mm] Aseptic female flange blind cover



| Orifice | D [mm] | Da [mm] | L [mm] | Item no. | |
|---|--------|---------|--------|-------------------------|--------------|
| ISO Dimensions Aseptic female flange blind cover | | | | | |
| DN08 | 54.00 | 37.00 | 9.70 | BBS-06-L0.Z08.64A.35.0 | (on request) |
| DN10 | 59.00 | 42.00 | 9.70 | BBS-06-L0.Z10.64A.35.0 | (on request) |
| DN15 | 62.00 | 45.00 | 9.70 | BBS-06-L0.Z15.64A.35.0 | (on request) |
| DN20 | 69.00 | 52.00 | 9.70 | BBS-06-L0.Z20.64A.35.0 | (on request) |
| DN25 | 74.00 | 57.00 | 9.70 | BBS-06-L0.Z25.64A.35.0 | (733 539) |
| DN32 | 82.00 | 65.00 | 9.70 | BBS-06-L0.Z32.64A.35.0 | (733 547) |
| DN40 | 88.00 | 71.00 | 9.70 | BBS-06-L0.Z40.64A.35.0 | (733 553) |
| DN50 | 103.00 | 85.00 | 9.70 | BBS-06-L0.Z50.64A.35.0 | (733 559) |
| DN65 | 125.00 | 104.00 | 11.70 | BBS-06-L0.Z65.64A.35.0 | (733 574) |
| DN80 | 137.00 | 116.00 | 13.70 | BBS-06-L0.Z80.64A.35.0 | (733 580) |
| DN100 | 168.00 | 145.00 | 13.70 | BBS-06-L0.Z100.64A.35.0 | (733 521) |
| DIN Dimensions Aseptic female flange blind cover | | | | | |
| DN10 | 54.00 | 37.00 | 9.70 | BBS-06-L0.F10.64A.35.0 | (on request) |
| DN15 | 59.00 | 42.00 | 9.70 | BBS-06-L0.F15.64A.35.0 | (on request) |
| DN20 | 64.00 | 47.00 | 9.70 | BBS-06-L0.F20.64A.35.0 | (on request) |
| DN25 | 70.00 | 53.00 | 9.70 | BBS-06-L0.F25.64A.35.0 | (on request) |
| DN32 | 76.00 | 59.00 | 9.70 | BBS-06-L0.F32.64A.35.0 | (on request) |
| DN40 | 82.00 | 65.00 | 9.70 | BBS-06-L0.F40.64A.35.0 | (743 498) |
| DN50 | 94.00 | 77.00 | 9.70 | BBS-06-L0.F50.64A.35.0 | (733 481) |
| DN65 | 113.00 | 95.00 | 9.70 | BBS-06-L0.F65.64A.35.0 | (on request) |
| DN80 | 133.00 | 112.00 | 11.70 | BBS-06-L0.F80.64A.35.0 | (on request) |
| DN100 | 159.00 | 137.00 | 11.70 | BBS-06-L0.F100.64A.35.0 | (on request) |
| DN125 | 183.00 | 161.00 | 13.70 | BBS-06-L0.F125.64A.35.0 | (on request) |
| DN150 | 213.00 | 188.00 | 13.70 | BBS-06-F0.F150.64A.35.0 | (on request) |
| BS-OD Dimensions Aseptic female flange blind cover | | | | | |
| DN1/2" | 54.00 | 37.00 | 9.70 | BBS-06-L0.M05.64A.35.0 | (on request) |
| DN3/4" | 59.00 | 42.00 | 9.70 | BBS-06-L0.M07.64A.35.0 | (on request) |
| DN1" | 66.00 | 49.00 | 9.70 | BBS-06-L0.M10.64A.35.0 | (on request) |
| DN1 1/2" | 79.00 | 62.00 | 9.70 | BBS-06-L0.M15.64A.35.0 | (on request) |
| DN2" | 92.00 | 75.00 | 9.70 | BBS-06-L0.M20.64A.35.0 | (on request) |
| DN2 1/2" | 107.00 | 89.00 | 9.70 | BBS-06-L0.M25.64A.35.0 | (on request) |
| DN3" | 125.00 | 104.00 | 11.70 | BBS-06-L0.M30.64A.35.0 | (on request) |
| DN4" | 157.00 | 135.00 | 13.70 | BBS-06-L0.M40.64A.35.0 | (on request) |

Dimensions [mm] Aseptic male flange blind cover



| Orifice | D [mm] | TK [mm] | L [mm] | Item no. | |
|---|--------|---------|--------|-------------------------|--------------|
| ISO Dimensions Aseptic male flange blind cover | | | | | |
| DN08 | 37.00 | 37.00 | 10.00 | BBS-06-D0.Z08.64A.35.0 | (733 014) |
| DN10 | 42.00 | 42.00 | 10.00 | BBS-06-D0.Z10.64A.35.0 | (733 018) |
| DN15 | 45.00 | 45.00 | 10.00 | BBS-06-D0.Z15.64A.35.0 | (733 032) |
| DN20 | 52.00 | 52.00 | 10.00 | BBS-06-D0.Z20.64A.35.0 | (733 040) |
| DN25 | 57.00 | 57.00 | 10.00 | BBS-06-D0.Z25.64A.35.0 | (733 048) |
| DN32 | 65.00 | 65.00 | 10.00 | BBS-06-D0.Z32.64A.35.0 | (733 060) |
| DN40 | 71.00 | 71.00 | 10.00 | BBS-06-D0.Z40.64A.35.0 | (733 067) |
| DN50 | 85.00 | 85.00 | 10.00 | BBS-06-D0.Z50.64A.35.0 | (733 075) |
| DN65 | 104.00 | 104.00 | 10.00 | BBS-06-D0.Z65.64A.35.0 | (733 083) |
| DN80 | 116.00 | 116.00 | 12.00 | BBS-06-D0.Z80.64A.35.0 | (733 089) |
| DN80 | 145.00 | 145.00 | 12.00 | BBS-06-D0.Z100.64A.35.0 | (733 022) |
| DIN Dimensions Aseptic male flange blind cover | | | | | |
| DN10 | 54.00 | 37.00 | 10.00 | BBS-06-D0.F10.64A.35.0 | (on request) |
| DN15 | 59.00 | 42.00 | 10.00 | BBS-06-D0.F15.64A.35.0 | (on request) |
| DN20 | 64.00 | 47.00 | 10.00 | BBS-06-D0.F20.64A.35.0 | (on request) |
| DN25 | 70.00 | 53.00 | 10.00 | BBS-06-D0.F25.64A.35.0 | (732 954) |
| DN32 | 76.00 | 59.00 | 10.00 | BBS-06-D0.F32.64A.35.0 | (on request) |
| DN40 | 82.00 | 65.00 | 10.00 | BBS-06-D0.F40.64A.35.0 | (732 962) |
| DN50 | 94.00 | 77.00 | 10.00 | BBS-06-D0.F50.64A.35.0 | (732 968) |
| DN65 | 113.00 | 95.00 | 10.00 | BBS-06-D0.F65.64A.35.0 | (on request) |
| DN80 | 133.00 | 112.00 | 10.00 | BBS-06-D0.F80.64A.35.0 | (on request) |
| DN100 | 159.00 | 137.00 | 12.00 | BBS-06-D0.F100.64A.35.0 | (on request) |
| DN125 | 183.00 | 161.00 | 14.00 | BBS-06-D0.F125.64A.35.0 | (on request) |
| DN150 | 213.00 | 188.00 | 16.00 | BBS-06-D0.F150.64A.35.0 | (732 946) |
| BS-OD Dimensions Aseptic male flange blind cover | | | | | |
| DN1/2" | 54.00 | 37.00 | 10.00 | BBS-06-D0.M05.64A.35.0 | (on request) |
| DN3/4" | 59.00 | 42.00 | 10.00 | BBS-06-D0.M07.64A.35.0 | (on request) |
| DN1" | 66.00 | 49.00 | 10.00 | BBS-06-D0.M10.64A.35.0 | (on request) |
| DN1 1/2" | 79.00 | 62.00 | 10.00 | BBS-06-D0.M15.64A.35.0 | (on request) |
| DN2" | 92.00 | 75.00 | 10.00 | BBS-06-D0.M20.64A.35.0 | (on request) |
| DN2 1/2" | 107.00 | 89.00 | 10.00 | BBS-06-D0.M25.64A.35.0 | (on request) |
| DN3" | 125.00 | 104.00 | 12.00 | BBS-06-D0.M30.64A.35.0 | (on request) |
| DN4" | 157.00 | 135.00 | 14.00 | BBS-06-D0.M40.64A.35.0 | (on request) |

Dimensions [mm] ISO O-Rings for aseptic flange connection



| Orifice | Item no. EPDM | | Item no. FEP | |
|--|------------------------|-----------|------------------------|-----------|
| ISO O-Rings for aseptic flange connection | | | | |
| DN08 | BBS-02-01.N08.64.EP.0 | (730 993) | BBS-02-01.N08.64.FE.3 | (730 995) |
| DN10 | BBS-02-01.N10.64.EP.0 | (731 021) | BBS-02-01.N10.64.FE.3 | (731 023) |
| DN15 | BBS-02-01.N15.64.EP.0 | (731 077) | BBS-02-01.N15.64.FE.3 | (731 079) |
| DN20 | BBS-02-01.N20.64.EP.0 | (731 118) | BBS-02-01.N20.64.FE.3 | (731 120) |
| DN25 | BBS-02-01.N25.64.EP.0 | (731 157) | BBS-02-01.N25.64.FE.3 | (731 159) |
| DN32 | BBS-02-01.N32.64.EP.0 | (731 202) | BBS-02-01.N32.64.FE.3 | (731 204) |
| DN40 | BBS-02-01.N40.64.EP.0 | (731 232) | BBS-02-01.N40.64.FE.3 | (731 234) |
| DN50 | BBS-02-01.N50.64.EP.0 | (731 271) | BBS-02-01.N50.64.FE.3 | (731 273) |
| DN65 | BBS-02-01.N65.64.EP.0 | (731 299) | BBS-02-01.N65.64.FE.3 | (731 302) |
| DN80 | BBS-02-01.N80.64.EP.0 | (731 324) | BBS-02-01.N80.64.FE.3 | (731 326) |
| DN100 | BBS-02-01.N100.64.EP.0 | (731 041) | BBS-02-01.N100.64.FE.3 | (731 043) |

| Orifice | Item no. Silicone | | Item no. FKM | |
|--|------------------------|--------------|------------------------|--------------|
| ISO O-Rings for aseptic flange connection | | | | |
| DN08 | BBS-02-01.N08.64.SI.1 | (730 997) | BBS-02-01.N08.64.VI.2 | (on request) |
| DN10 | BBS-02-01.N10.64.SI.1 | (731 025) | BBS-02-01.N10.64.VI.2 | (on request) |
| DN15 | BBS-02-01.N15.64.SI.1 | (731 081) | BBS-02-01.N15.64.VI.2 | (on request) |
| DN20 | BBS-02-01.N20.64.SI.1 | (731 122) | BBS-02-01.N20.64.VI.2 | (on request) |
| DN25 | BBS-02-01.N25.64.SI.1 | (731 161) | BBS-02-01.N25.64.VI.2 | (on request) |
| DN32 | BBS-02-01.N32.64.SI.1 | (731 206) | BBS-02-01.N32.64.VI.2 | (on request) |
| DN40 | BBS-02-01.N40.64.SI.1 | (731 236) | BBS-02-01.N40.64.VI.2 | (on request) |
| DN50 | BBS-02-01.N50.64.SI.1 | (731 275) | BBS-02-01.N50.64.VI.2 | (on request) |
| DN65 | BBS-02-01.N65.64.SI.1 | (731 304) | BBS-02-01.N65.64.VI.2 | (on request) |
| DN80 | BBS-02-01.N80.64.SI.1 | (731 328) | BBS-02-01.N80.64.VI.2 | (on request) |
| DN100 | BBS-02-01.N100.64.SI.1 | (on request) | BBS-02-01.N100.64.VI.2 | (on request) |

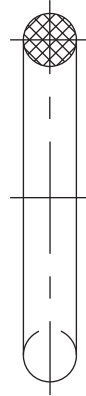
Dimensions [mm] DIN O-Rings for aseptic flange connection



| Orifice | Item no. EPDM | | Item no. FEP | |
|--|------------------------|--------------|------------------------|--------------|
| DIN O-Rings for aseptic flange connection | | | | |
| DN10 | BBS-02-01.D10.64.EP.0 | (730 383) | BBS-02-01.D10.64.FE.3 | (730 385) |
| DN15 | BBS-02-01.D15.64.EP.0 | (730 435) | BBS-02-01.D15.64.FE.3 | (730 437) |
| DN20 | BBS-02-01.D20.64.EP.0 | (730 480) | BBS-02-01.D20.64.FE.3 | (730 483) |
| DN25 | BBS-02-01.D25.64.EP.0 | (730 515) | BBS-02-01.D25.64.FE.3 | (730 517) |
| DN32 | BBS-02-01.D32.64A.EP.0 | (730 569) | BBS-02-01.D32.64.FE.3 | (730 566) |
| DN40 | BBS-02-01.D40.64A.EP.0 | (730 593) | BBS-02-01.D40.64.FE.3 | (730 591) |
| DN50 | BBS-02-01.N50.64A.EP.0 | (730 624) | BBS-02-01.D50.64A.FE.3 | (730 626) |
| DN65 | BBS-02-01.D65.64A.EP.0 | (730 655) | BBS-02-01.D65.64A.FE.3 | (730 657) |
| DN80 | BBS-02-01.D80.64A.EP.0 | (730 692) | BBS-02-01.D80.64A.FE.3 | (730 694) |
| DN100 | BBS-02-01.D100.64.EP.0 | (730 406) | BBS-02-01.D100.64.FE.3 | (730 408) |
| DN125 | BBS-02-01.D125.64.EP.0 | (on request) | BBS-02-01.D125.64.FE.3 | (on request) |
| DN150 | BBS-02-01.D150.64.EP.0 | (730 455) | BBS-02-01.D150.64.FE.3 | (730 458) |

| Orifice | Item no. Silicone | | Item no. FKM | |
|--|------------------------|--------------|------------------------|--------------|
| DIN O-Rings for aseptic flange connection | | | | |
| DN10 | BBS-02-01.D10.64.SI.1 | (on request) | BBS-02-01.D10.64.VI.2 | (on request) |
| DN15 | BBS-02-01.D15.64.SI.1 | (on request) | BBS-02-01.D15.64.VI.2 | (on request) |
| DN20 | BBS-02-01.D20.64.SI.1 | (on request) | BBS-02-01.D20.64.VI.2 | (on request) |
| DN25 | BBS-02-01.D25.64.SI.1 | (on request) | BBS-02-01.D25.64.VI.2 | (730 519) |
| DN32 | BBS-02-01.D32.64.SI.1 | (on request) | BBS-02-01.D32.64.VI.2 | (on request) |
| DN40 | BBS-02-01.D40.64.SI.1 | (on request) | BBS-02-01.D40.64.VI.2 | (on request) |
| DN50 | BBS-02-01.D50.64.SI.1 | (on request) | BBS-02-01.D50.64A.VI.2 | (730 628) |
| DN65 | BBS-02-01.D65.64.SI.1 | (on request) | BBS-02-01.D65.64A.VI.2 | (730 659) |
| DN80 | BBS-02-01.D80.64.SI.1 | (on request) | BBS-02-01.D80.64.VI.2 | (on request) |
| DN100 | BBS-02-01.D100.64.SI.1 | (on request) | BBS-02-01.D100.64.VI.2 | (on request) |
| DN125 | BBS-02-01.D125.64.SI.1 | (on request) | BBS-02-01.D125.64.VI.2 | (on request) |
| DN150 | BBS-02-01.D150.64.SI.1 | (on request) | BBS-02-01.D150.64.VI.2 | (on request) |

Dimensions [mm] BS-OD O-Rings for aseptic flange connection



| Orifice | Item no. EPDM | | Item no. FEP | |
|--|-----------------------|-----------|-----------------------|-----------|
| BS-OD O-Rings for aseptic flange connection | | | | |
| DN1/2" | BBS-02-01.K05.64.EP.0 | (730 788) | BBS-02-01.K05.64.FE.3 | (730 790) |
| DN3/4" | BBS-02-01.K07.64.EP.0 | (730 803) | BBS-02-01.K07.64.FE.3 | (730 805) |
| DN1" | BBS-02-01.K10.64.EP.0 | (730 825) | BBS-02-01.K10.64.FE.3 | (730 827) |
| DN1 1/2" | BBS-02-01.K15.64.EP.0 | (730 855) | BBS-02-01.K15.64.FE.3 | (730 857) |
| DN2" | BBS-02-01.K20.64.EP.0 | (730 878) | BBS-02-01.K20.64.FE.3 | (730 880) |
| DN2 1/2" | BBS-02-01.K25.64.EP.0 | (730 903) | BBS-02-01.K25.64.FE.3 | (730 905) |
| DN3" | BBS-02-01.K30.64.EP.0 | (730 924) | BBS-02-01.K30.64.FE.3 | (730 926) |
| DN4" | BBS-02-01.K40.64.EP.0 | (730 946) | BBS-02-01.K40.64.FE.3 | (730 948) |

| Orifice | Item no. Silicone | | Item no. FKM | |
|--|-----------------------|--------------|-----------------------|--------------|
| BS-OD O-Rings for aseptic flange connection | | | | |
| DN1/2" | BBS-02-01.K05.64.SI.1 | (on request) | BBS-02-01.K05.64.VI.2 | (on request) |
| DN3/4" | BBS-02-01.K07.64.SI.1 | (on request) | BBS-02-01.K07.64.VI.2 | (on request) |
| DN1" | BBS-02-01.K10.64.SI.1 | (on request) | BBS-02-01.K10.64.VI.2 | (743 876) |
| DN1 1/2" | BBS-02-01.K15.64.SI.1 | (on request) | BBS-02-01.K15.64.VI.2 | (on request) |
| DN2" | BBS-02-01.K20.64.SI.1 | (on request) | BBS-02-01.K20.64.VI.2 | (730 882) |
| DN2 1/2" | BBS-02-01.K25.64.SI.1 | (on request) | BBS-02-01.K25.64.VI.2 | (on request) |
| DN3" | BBS-02-01.K30.64.SI.1 | (on request) | BBS-02-01.K30.64.VI.2 | (730 928) |
| DN4" | BBS-02-01.K40.64.SI.1 | (on request) | BBS-02-01.K40.64.VI.2 | (on request) |