

BBS-03

Threaded connection
acc. to DIN 11864-1

Aseptic weld end threaded connection

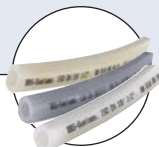


- Design acc. to DIN 11864-1
- All medium contact materials traceable
- Component of the BBS modular system

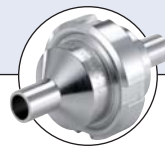
Hygienic Processing components...



Type BBS-3F
Flow indicator



Type BBS-04
Silicone hose



Type BBS-10
Check valve



Type BBS-05
Clamping connection



Type BBS-06
Sterile orbital flange



Type 2103
Diaphragm valve

The Aseptic weld end threaded connection makes use of a defined sealing profile. A secure connection between the components is guaranteed.

Only small residues are possible, which allows good process safety and reduces cleaning time and liquid waste.

The Aseptic weld end threaded connection is a part of the BBS modular system which simplifies spare part requirements and offers a high flexibility.

As an alternative connection with even higher performance we recommend the BBS sterile threaded connection which is guaranteed crevice free. More information you can find in our data sheet for type BBS-03 - standard sterile threaded connection.

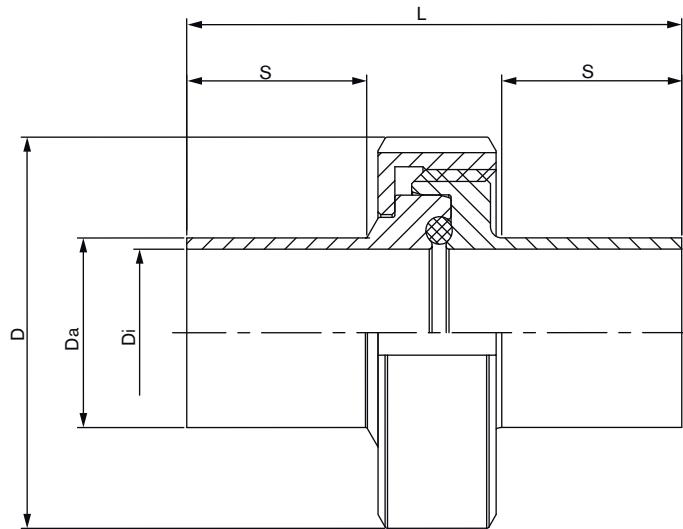
Applications

- Biotechnology
- Pharmaceutical
- Chemical industry
- Dairy
- Food
- Cosmetic

Technical data

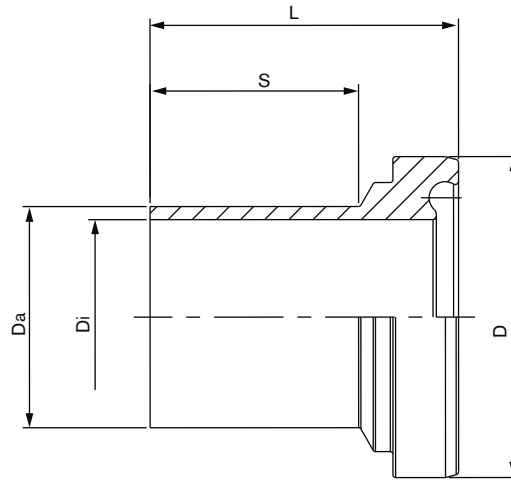
Available standard sizes	ISO DN08 to DN80 DIN DN10 to DN100 BS-OD DN1/2" to DN4"
Material medium contact	Stainless steel 1.4435 BN2 (316L) Special materials e.g. Hastelloy 2.4602, Titanium, 1.4539 etc. on request
Material medium separated	1.4305 or equivalent
Connection	Rounded thread acc. to DIN 405-1
Seals	O-ring, EPDM, FEP, special seal material e.g. FFKM, pure PTFE etc. on request
Surface quality	Medium contacted surface < Ra 0,8µm, electro polished, finer surface on request
Operating temperature	EPDM seal material: -40°C to 90°C, temporary to 140°C FEP seal material: -60°C to 160°C, temporary to 205°C
Ambient temperature	-20 to +80 °C
Media	Gases or liquids
Operating pressure	ISO DN08 to DN25 = 40 bar ISO DN32 to DN80 = 25 bar DIN DN10 to DN40 = 40 bar DIN DN50 to DN100 = 25 bar BS-OD DN1/2" to DN1 1/2" = 40 bar BS-OD DN2" to DN4" = 25 bar
Applicable standards	Pipe connection acc. to DIN 11866 ISO dimensions series B (ISO 4200) DIN dimensions Series A (DIN 11850) BS-OD dimensions Series C (ASME BPE) Sealing acc. to DIN 11864-1, Form A
Certifications	Material 3.1, FDA, USP VI

Dimensions [mm] Aseptic threaded connection acc. to DIN 11864-1



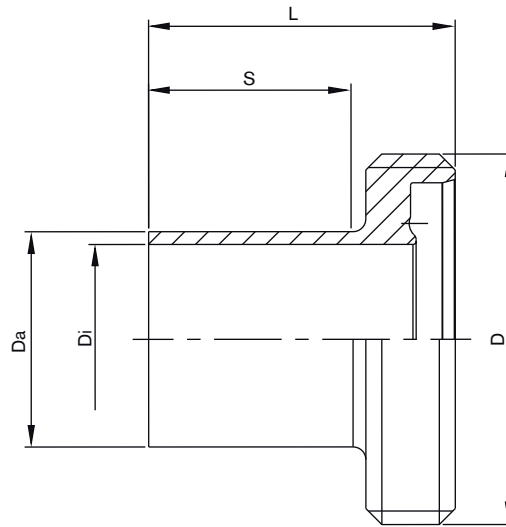
Orifice	D [mm]	Da [mm]	Di [mm]	L [mm]	Item no. EPDM		Item no. FEP		
ISO Dimensions Aseptic threaded connection									
DN08	38.00	13.50	10.30	76.00	BBS-03-AA.N08.64A.35.0	(732 231)	BBS-03-AA.N08.64A.35.3	(732 233)	
DN10	44.00	17.20	14.00	76.00	BBS-03-AA.N10.64A.35.0	(732 245)	BBS-03-AA.N10.64A.35.3	(732 247)	
DN15	54.00	21.30	18.10	78.00	BBS-03-AA.N15.64A.35.0	(732 255)	BBS-03-AA.N15.64A.35.3	(732 257)	
DN20	63.00	26.90	23.70	78.00	BBS-03-AA.N20.64A.35.0	(732 267)	BBS-03-AA.N20.64A.35.3	(732 269)	
DN25	70.00	33.70	29.70	88.00	BBS-03-AA.N25.64A.35.0	(732 280)	BBS-03-AA.N25.64A.35.3	(732 282)	
DN32	78.00	42.40	38.40	88.00	BBS-03-AA.N32.64A.35.0	(732 292)	BBS-03-AA.N32.64A.35.3	(732 294)	
DN40	92.00	48.30	44.30	90.00	BBS-03-AA.N40.64A.35.0	(732 302)	BBS-03-AA.N40.64A.35.3	(732 304)	
DN50	112.00	60.30	56.30	114.00	BBS-03-AA.N50.64A.35.0	(732 314)	BBS-03-AA.N50.64A.35.3	(732 316)	
DN65	127.00	76.10	72.10	117.00	BBS-03-AA.N65.64A.35.0	(732 324)	BBS-03-AA.N65.64A.35.3	(732 326)	
DN80	148.00	88.90	84.30	122.00	BBS-03-AA.N80.64A.35.0	(732 328)	BBS-03-AA.N80.64A.35.3	(732 330)	
DIN Dimensions Aseptic threaded connection									
DN10	38.00	12.00	10.00	76.00	BBS-03-AA.D10.64A.35.0	(on request)	BBS-03-AA.D10.64A.35.3	(on request)	
DN10	38.00	13.00	10.00	76.00	BBS-03-AA.D10.64A.35.0-1	(on request)	BBS-03-AA.D10.64A.35.3-1	(on request)	
DN15	44.00	19.00	16.00	76.00	BBS-03-AA.D15.64A.35.0	(on request)	BBS-03-AA.D15.64A.35.3	(on request)	
DN20	54.00	23.00	20.00	76.00	BBS-03-AA.D20.64A.35.0	(on request)	BBS-03-AA.D20.64A.35.3	(on request)	
DN25	63.00	29.00	26.00	77.00	BBS-03-AA.D25.64A.35.0	(on request)	BBS-03-AA.D25.64A.35.3	(on request)	
DN32	70.00	35.00	32.00	88.00	BBS-03-AA.D32.64A.35.0	(on request)	BBS-03-AA.D32.64A.35.3	(on request)	
DN40	78.00	41.00	38.00	88.00	BBS-03-AA.D40.64A.35.0	(on request)	BBS-03-AA.D40.64A.35.3	(on request)	
DN50	92.00	53.00	50.00	89.00	BBS-03-AA.D50.64A.35.0	(on request)	BBS-03-AA.D50.64A.35.3	(on request)	
DN65	112.00	70.00	66.00	113.00	BBS-03-AA.D65.64A.35.0	(on request)	BBS-03-AA.D65.64A.35.3	(on request)	
DN80	127.00	85.00	81.00	117.00	BBS-03-AA.D80.64A.35.0	(on request)	BBS-03-AA.D80.64A.35.3	(on request)	
DN100	148.00	104.00	100.00	120.00	BBS-03-AA.D100.64A.35.0	(on request)	BBS-03-AA.D100.64A.35.3	(on request)	
BS-OD Dimensions Aseptic threaded connection									
DN1/2"	38.00	12.70	9.40	76.00	BBS-03-AA.K05.64A.35.0	(on request)	BBS-03-AA.K05.64A.35.3	(on request)	
DN3/4"	44.00	19.05	15.75	76.00	BBS-03-AA.K07.64A.35.0	(on request)	BBS-03-AA.K07.64A.35.3	(on request)	
DN1"	63.00	25.40	22.10	77.00	BBS-03-AA.K10.64A.35.0	(732 209)	BBS-03-AA.K10.64A.35.3	(on request)	
DN1 1/2"	78.00	38.10	34.80	88.00	BBS-03-AA.K15.64A.35.0	(743 137)	BBS-03-AA.K15.64A.35.3	(on request)	
DN2"	89.00	50.80	47.50	89.00	BBS-03-AA.K20.64A.35.0	(on request)	BBS-03-AA.K20.64A.35.3	(on request)	
DN2 1/2"	112.00	63.50	60.20	115.00	BBS-03-AA.K25.64A.35.0	(on request)	BBS-03-AA.K25.64A.35.3	(on request)	
DN3"	127.00	76.20	72.90	117.00	BBS-03-AA.K30.64A.35.0	(on request)	BBS-03-AA.K30.64A.35.3	(on request)	
DN4"	148.00	101.60	97.38	119.00	BBS-03-AA.K40.64A.35.0	(on request)	BBS-03-AA.K40.64A.35.3	(on request)	

Dimensions [mm] Aseptic male ferrule



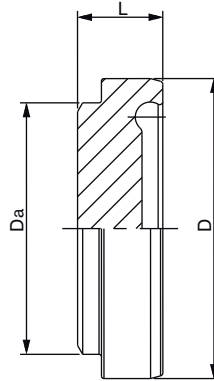
Orifice	D [mm]	Da [mm]	Di [mm]	L [mm]	S [mm]	Item no.	
ISO Dimensions Aseptic male ferrule							
DN08	21.90	13.50	10.30	39.00	27.00	BBS-03-A0.N08.64A.35.0	(731 957)
DN10	27.90	17.20	14.00	39.00	27.00	BBS-03-A0.N10.64A.35.0	(731 965)
DN15	35.90	21.30	18.10	40.00	27.00	BBS-03-A0.N15.64A.35.0	(731 971)
DN20	42.90	26.90	23.70	41.00	27.00	BBS-03-A0.N20.64A.35.0	(731 980)
DN25	48.90	33.70	29.70	47.00	32.00	BBS-03-A0.N25.64A.35.0	(731 986)
DN32	54.90	42.40	38.40	47.00	32.00	BBS-03-A0.N32.64A.35.0	(731 994)
DN40	66.90	48.30	44.30	48.00	31.00	BBS-03-A0.N40.64A.35.0	(732 001)
DN50	84.90	60.30	56.30	62.00	40.00	BBS-03-A0.N50.64A.35.0	(732 007)
DN65	98.90	76.10	72.10	61.00	40.00	BBS-03-A0.N65.64A.35.0	(on request)
DN80	118.90	88.90	84.30	68.00	40.00	BBS-03-A0.N80.64A.35.0	(732 015)
DIN Dimensions Aseptic male ferrule							
DN10	21.90	12.00	10.00	39.00	27.00	BBS-03-A0.D10.64A.35.0	(731 912)
DN10	21.90	13.00	10.00	39.00	27.00	BBS-03-A0.D10.64A.35.0-1	(on request)
DN15	27.90	19.00	16.00	39.00	27.00	BBS-03-A0.D15.64A.35.0	(731 918)
DN20	35.90	23.00	20.00	38.00	26.00	BBS-03-A0.D20.64A.35.0	(731 924)
DN25	42.90	29.00	26.00	40.00	26.00	BBS-03-A0.D25.64A.35.0	(on request)
DN32	48.90	35.00	32.00	47.00	32.00	BBS-03-A0.D32.64A.35.0	(731 928)
DN40	54.90	41.00	38.00	47.00	31.00	BBS-03-A0.D40.64A.35.0	(731 932)
DN50	66.90	53.00	50.00	48.00	30.00	BBS-03-A0.D50.64A.35.0	(731 936)
DN65	84.90	70.00	66.00	61.00	40.00	BBS-03-A0.D65.64A.35.0	(731 938)
DN80	98.90	85.00	81.00	61.00	40.00	BBS-03-A0.D80.64A.35.0	(731 942)
DN100	118.90	104.00	100.00	66.00	40.00	BBS-03-A0.D100.64A.35.0	(on request)
BS-OD Dimensions Aseptic male ferrule							
DN1 1/2"	21.90	12.70	9.40	39.00	27.00	BBS-03-A0.K05.64A.35.0	(on request)
DN3/4"	27.90	19.05	15.75	39.00	27.00	BBS-03-A0.K07.64A.35.0	(on request)
DN1"	42.90	25.40	22.10	40.00	26.00	BBS-03-A0.K10.64A.35.0	(731 949)
DN1 1/2"	54.90	38.10	34.80	46.50	30.00	BBS-03-A0.K15.64A.35.0	(on request)
DN2"	66.90	50.80	47.50	47.50	30.00	BBS-03-A0.K20.64A.35.0	(on request)
DN2 1/2"	84.90	63.50	60.20	63.00	40.00	BBS-03-A0.K25.64A.35.0	(on request)
DN3"	98.90	76.20	72.90	61.00	40.00	BBS-03-A0.K30.64A.35.0	(on request)
DN4"	118.90	101.60	97.38	65.00	40.00	BBS-03-A0.K40.64A.35.0	(on request)

Dimensions [mm] Aseptic female ferrule threaded



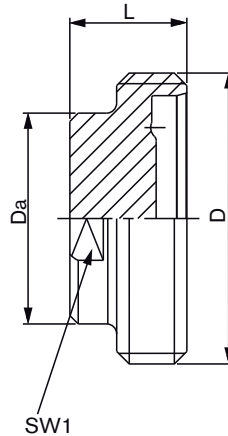
Orifice	D [mm]	Da [mm]	Di [mm]	L [mm]	S [mm]	Item no.	
ISO Dimensions Aseptic female ferrule threaded							
DN08	RD 28x1/8	13.50	10.30	41.00	27.00	BBS-03-B0.N08.64A.35.0	(732 637)
DN10	RD 34x1/8	17.20	14.00	41.00	27.00	BBS-03-B0.N10.64A.35.0	(732 646)
DN15	RD 44x1/6	21.30	18.10	43.00	27.00	BBS-03-B0.N15.64A.35.0	(732 654)
DN20	RD 52x1/6	26.90	23.70	43.00	27.00	BBS-03-B0.N20.64A.35.0	(732 664)
DN25	RD 58x1/6	33.70	29.70	48.00	32.00	BBS-03-B0.N25.64A.35.0	(732 672)
DN32	RD 65x1/6	42.40	38.40	48.00	32.00	BBS-03-B0.N32.64A.35.0	(732 684)
DN40	RD 78x1/6	48.30	44.30	49.00	31.00	BBS-03-B0.N40.64A.35.0	(732 690)
DN50	RD 95x1/6	60.30	56.30	60.00	40.00	BBS-03-B0.N50.64A.35.0	(732 698)
DN65	RD 110x1/4	76.10	72.10	64.00	40.00	BBS-03-B0.N65.64A.35.0	(on request)
DN80	RD 130x1/4	88.90	84.30	64.00	40.00	BBS-03-B0.N80.64A.35.0	(732 704)
DIN Dimensions Aseptic female ferrule threaded							
DN10	RD 28x1/8	12.00	10.00	41.00	27.00	BBS-03-B0.D10.64A.35.0	(732 599)
DN10	RD 28x1/8	13.00	10.00	41.00	27.00	BBS-03-B0.D10.64A.35.0-1	(on request)
DN15	RD 34x1/8	19.00	16.00	41.00	27.00	BBS-03-B0.D15.64A.35.0	(732 605)
DN20	RD 44x1/6	23.00	20.00	43.00	26.00	BBS-03-B0.D20.64A.35.0	(732 609)
DN25	RD 52x1/6	29.00	26.00	43.00	26.00	BBS-03-B0.D25.64A.35.0	(732 611)
DN32	RD 58x1/6	35.00	32.00	48.00	32.00	BBS-03-B0.D32.64A.35.0	(732 613)
DN40	RD 65x1/6	41.00	38.00	48.00	31.00	BBS-03-B0.D40.64A.35.0	(732 615)
DN50	RD 78x1/6	53.00	50.00	48.00	30.00	BBS-03-B0.D50.64A.35.0	(732 617)
DN65	RD 95x1/6	70.00	66.00	60.00	40.00	BBS-03-B0.D65.64A.35.0	(732 619)
DN80	RD 110x1/4	85.00	81.00	64.00	40.00	BBS-03-B0.D80.64A.35.0	(732 623)
DN100	RD 130x1/4	104.00	100.00	64.00	40.00	BBS-03-B0.D100.64A.35.0	(on request)
BS OD Dimensions female ferrule threaded							
DN1/2"	RD 28x1/8	12.70	9.40	41.00	27.00	BBS-03-B0.K05.64A.35.0	(on request)
DN3/4"	RD 34x1/8	19.05	15.75	41.00	27.00	BBS-03-B0.K07.64A.35.0	(on request)
DN1"	RD 52x1/6	25.40	22.10	41.00	27.00	BBS-03-B0.K10.64A.35.0	(732 629)
DN1 1/2"	RD 65x1/6	38.10	34.80	43.00	26.00	BBS-03-B0.K15.64A.35.0	(on request)
DN2"	RD 78x1/6	50.80	47.50	43.00	26.00	BBS-03-B0.K20.64A.35.0	(on request)
DN2 1/2"	RD 95x1/6	63.50	60.20	48.00	32.00	BBS-03-B0.K25.64A.35.0	(on request)
DN3"	RD 110x1/4	76.20	72.90	48.00	31.00	BBS-03-B0.K30.64A.35.0	(on request)
DN4"	RD 130x1/4	101.60	97.38	48.00	30.00	BBS-03-B0.K40.64A.35.0	(on request)

Dimensions [mm] Aseptic male ferrule blind cover



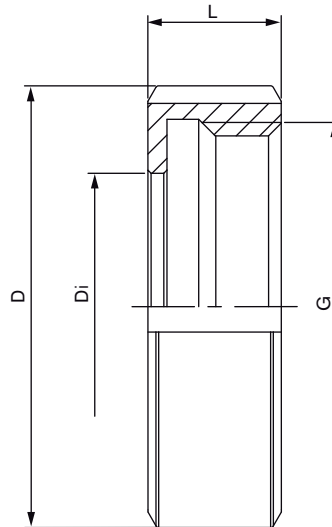
Orifice	D [mm]	Da [mm]	L [mm]	Item no.	
ISO Dimensions Aseptic male ferrule blind cover					
DN08	21.90	18.00	10.00	BBS-03-G0.N08.64A.35.0	(733 268)
DN10	27.90	24.00	10.00	BBS-03-G0.N10.64A.35.0	(on request)
DN15	35.90	30.00	11.00	BBS-03-G0.N15.64A.35.0	(733 271)
DN20	42.90	35.00	13.00	BBS-03-G0.N20.64A.35.0	(733 274)
DN25	48.90	41.00	14.00	BBS-03-G0.N25.64A.35.0	(733 278)
DN32	54.90	48.00	14.00	BBS-03-G0.N32.64A.35.0	(733 281)
DN40	66.90	61.00	15.00	BBS-03-G0.N40.64A.35.0	(on request)
DN50	84.90	79.00	17.00	BBS-03-G0.N50.64A.35.0	(on request)
DN65	98.90	93.00	17.00	BBS-03-G0.N65.64A.35.0	(on request)
DN80	118.90	114.00	21.00	BBS-03-G0.N80.64A.35.0	(on request)
DIN Dimensions Aseptic male ferrule blind cover					
DN10	21.90	18.00	10.00	BBS-03-G0.D10.64A.35.0	(on request)
DN15	27.90	24.00	10.00	BBS-03-G0.D15.64A.35.0	(on request)
DN20	35.90	30.00	11.00	BBS-03-G0.D20.64A.35.0	(on request)
DN25	42.90	35.00	13.00	BBS-03-G0.D25.64A.35.0	(733 265)
DN32	48.90	41.00	14.00	BBS-03-G0.D32.64A.35.0	(on request)
DN40	54.90	48.00	14.00	BBS-03-G0.D40.64A.35.0	(on request)
DN50	66.90	61.00	15.00	BBS-03-G0.D50.64A.35.0	(on request)
DN65	84.90	93.00	17.00	BBS-03-G0.D65.64A.35.0	(on request)
DN80	98.90	93.00	17.00	BBS-03-G0.D80.64A.35.0	(on request)
DN80	118.90	114.00	21.00	BBS-03-G0.D100.64A.35.0	(on request)
BS-OD Dimensions Aseptic male ferrule blind cover					
DN1/2"	21.90	18.00	10.00	BBS-03-G0.K05.64A.35.0	(on request)
DN3/4"	27.90	24.00	10.00	BBS-03-G0.K07.64A.35.0	(on request)
DN1"	42.90	35.00	13.00	BBS-03-G0.K10.64A.35.0	(on request)
DN1 1/2"	54.90	38.00	14.00	BBS-03-G0.K15.64A.35.0	(on request)
DN2"	66.90	61.00	15.00	BBS-03-G0.K20.64A.35.0	(on request)
DN2 1/2"	84.90	79.00	17.00	BBS-03-G0.K25.64A.35.0	(on request)
DN3"	98.90	93.00	17.00	BBS-03-G0.K30.64A.35.0	(on request)
DN4"	118.90	114.00	21.00	BBS-03-G0.K40.64A.35.0	(on request)

Dimensions [mm] Aseptic female ferrule blind cover threaded



Orifice	D [mm]	Da [mm]	L [mm]	SW [mm]	Item no.	
ISO Dimensions Aseptic female ferrule blind cover threaded						
DN08	RD 28x1/8	21.00	10.00	17.00	BBS-03-F0.N08.64A.35.0	(733 214)
DN10	RD 34x1/8	25.00	20.00	22.00	BBS-03-F0.N10.64A.35.0	(on request)
DN15	RD 44x1/6	35.00	22.00	32.00	BBS-03-F0.N15.64A.35.0	(733 223)
DN20	RD 52x1/6	44.00	24.00	41.00	BBS-03-F0.N20.64A.35.0	(742 903)
DN25	RD 58x1/6	45.00	24.00	41.00	BBS-03-F0.N25.64A.35.0	(733 233)
DN32	RD 65x1/6	60.00	24.00	55.00	BBS-03-F0.N32.64A.35.0	(on request)
DN40	RD 78x1/6	72.00	24.00	65.00	BBS-03-F0.N40.64A.35.0	(on request)
DN50	RD 95x1/6	87.00	28.00	80.00	BBS-03-F0.N50.64A.35.0	(on request)
DN65	RD 110x1/4	100.00	28.00	95.00	BBS-03-F0.N65.64A.35.0	(on request)
DN80	RD 130x1/4	120.00	30.00	115.00	BBS-03-F0.N80.64A.35.0	(on request)
DIN Dimensions Aseptic female ferrule blind cover threaded						
DN10	RD 28x1/8	21.00	10.00	17.00	BBS-03-F0.D10.64A.35.0	(on request)
DN15	RD 34x1/8	25.00	20.00	22.00	BBS-03-F0.D15.64A.35.0	(on request)
DN20	RD 44x1/6	35.00	22.00	32.00	BBS-03-F0.D20.64A.35.0	(on request)
DN25	RD 52x1/6	44.00	24.00	41.00	BBS-03-F0.D25.64A.35.0	(on request)
DN32	RD 58x1/6	45.00	24.00	41.00	BBS-03-F0.D32.64A.35.0	(on request)
DN40	RD 65x1/6	60.00	24.00	55.00	BBS-03-F0.D40.64A.35.0	(on request)
DN50	RD 78x1/6	72.00	24.00	65.00	BBS-03-F0.D50.64A.35.0	(on request)
DN65	RD 95x1/6	87.00	28.00	80.00	BBS-03-F0.D65.64A.35.0	(on request)
DN80	RD 110x1/4	100.00	28.00	95.00	BBS-03-F0.D80.64A.35.0	(on request)
DN100	RD 130x1/4	120.00	30.00	115.00	BBS-03-F0.D100.64A.35.0	(on request)
BS-OD Dimensions Aseptic female ferrule blind cover threaded						
DN1/2"	RD 28x1/8	21.00	10.00	17.00	BBS-03-F0.K05.64A.35.0	(on request)
DN3/4"	RD 34x1/8	25.00	20.00	22.00	BBS-03-F0.K07.64A.35.0	(on request)
DN1"	RD 52x1/6	44.00	24.00	41.00	BBS-03-F0.K10.64A.35.0	(on request)
DN1 1/2"	RD 65x1/6	60.00	24.00	55.00	BBS-03-F0.K15.64A.35.0	(on request)
DN2"	RD 78x1/6	72.00	24.00	65.00	BBS-03-F0.K20.64A.35.0	(on request)
DN2 1/2"	RD 95x1/6	87.00	28.00	80.00	BBS-03-F0.K25.64A.35.0	(on request)
DN3"	RD 110x1/4	100.00	28.00	95.00	BBS-03-F0.K30.64A.35.0	(on request)
DN4"	RD 130x1/4	120.00	30.00	115.00	BBS-03-F0.K40.64A.35.0	(on request)

Dimensions [mm] Union nut with rounded thread



Orifice	D [mm]	G [mm]	Di [mm]	L [mm]	Item no.	
ISO Dimensions Union nut with rounded thread						
DN08	38.00	RD 28x1/8	19.00	18.00	BBS-03-C0.N08.64A.05.0	(732 973)
DN10	44.00	RD 34x1/8	25.00	18.00	BBS-03-C0.N10.64A.05.0	(732 981)
DN15	54.00	RD 44x1/6	31.00	20.00	BBS-03-C0.N15.64A.05.0	(732 989)
DN20	63.00	RD 52x1/6	36.00	21.00	BBS-03-C0.N20.64A.05.0	(732 997)
DN25	70.00	RD 58x1/6	42.00	21.00	BBS-03-C0.N25.64A.05.0	(733 005)
DN32	78.00	RD 65x1/6	49.00	21.00	BBS-03-C0.N32.64A.05.0	(733 013)
DN40	92.00	RD 78x1/6	62.00	22.00	BBS-03-C0.N40.64A.05.0	(733 019)
DN50	112.00	RD 95x1/6	80.00	25.00	BBS-03-C0.N50.64A.05.0	(733 027)
DN65	127.00	RD 110x1/4	94.00	29.00	BBS-03-C0.N65.64A.05.0	(733 033)
DN80	148.00	RD 130x1/4	115.00	31.00	BBS-03-C0.N80.64A.05.0	(733 039)
DIN Dimensions Union nut with rounded thread						
DN10	38.00	RD 28x1/8	19.00	18.00	BBS-03-C0.N08.64A.05.0	(732 973)
DN15	38.00	RD 34x1/8	25.00	18.00	BBS-03-C0.N10.64A.05.0	(732 981)
DN20	44.00	RD 44x1/6	31.00	20.00	BBS-03-C0.N15.64A.05.0	(732 989)
DN25	54.00	RD 52x1/6	36.00	21.00	BBS-03-C0.N20.64A.05.0	(732 997)
DN32	63.00	RD 58x1/6	42.00	21.00	BBS-03-C0.N25.64A.05.0	(733 005)
DN40	70.00	RD 65x1/6	49.00	21.00	BBS-03-C0.N32.64A.05.0	(733 013)
DN50	78.00	RD 78x1/6	62.00	22.00	BBS-03-C0.N40.64A.05.0	(733 019)
DN65	92.00	RD 95x1/6	80.00	25.00	BBS-03-C0.N50.64A.05.0	(733 027)
DN80	112.00	RD 110x1/4	94.00	29.00	BBS-03-C0.N65.64A.05.0	(733 033)
DN100	127.00	RD 130x1/4	115.00	31.00	BBS-03-C0.N80.64A.05.0	(733 039)
BS OD Dimensions Union nut with rounded thread						
DN1/2"	38.00	RD 28x1/8	19.00	18.00	BBS-03-C0.N08.64A.05.0	(732 973)
DN3/4"	44.00	RD 34x1/8	25.00	18.00	BBS-03-C0.N10.64A.05.0	(732 981)
DN1"	78.00	RD 52x1/6	36.00	21.00	BBS-03-C0.N20.64A.05.0	(732 997)
DN1 1/2"	112.00	RD 65x1/6	49.00	21.00	BBS-03-C0.N32.64A.05.0	(733 013)
DN2"	127.00	RD 78x1/6	62.00	22.00	BBS-03-C0.N40.64A.05.0	(733 019)
DN2 1/2"	148.00	RD 95x1/6	80.00	25.00	BBS-03-C0.N50.64A.05.0	(733 027)
DN3"	112.00	RD 110x1/4	94.00	29.00	BBS-03-C0.N65.64A.05.0	(733 033)
DN4"	127.00	RD 130x1/4	115.00	31.00	BBS-03-C0.N80.64A.05.0	(733 039)

Dimensions [mm] ISO O-Rings for aseptic threaded connection



Orifice	Item no. EPDM		Item no. FEP	
ISO O-Rings for aseptic threaded connection				
DN08	BBS-02-01.N08.64.EP.0	(730 993)	BBS-02-01.N08.64.FE.3	(730 995)
DN10	BBS-02-01.N10.64.EP.0	(731 021)	BBS-02-01.N10.64.FE.3	(731 023)
DN15	BBS-02-01.N15.64.EP.0	(731 077)	BBS-02-01.N15.64.FE.3	(731 079)
DN20	BBS-02-01.N20.64.EP.0	(731 118)	BBS-02-01.N20.64.FE.3	(731 120)
DN25	BBS-02-01.N25.64.EP.0	(731 157)	BBS-02-01.N25.64.FE.3	(731 159)
DN32	BBS-02-01.N32.64.EP.0	(731 202)	BBS-02-01.N32.64.FE.3	(731 204)
DN40	BBS-02-01.N40.64.EP.0	(731 232)	BBS-02-01.N40.64.FE.3	(731 234)
DN50	BBS-02-01.N50.64.EP.0	(731 271)	BBS-02-01.N50.64.FE.3	(731 273)
DN65	BBS-02-01.N65.64.EP.0	(731 299)	BBS-02-01.N65.64.FE.3	(731 302)
DN80	BBS-02-01.N80.64.EP.0	(731 324)	BBS-02-01.N80.64.FE.3	(731 326)

Orifice	Item no. Silicone		Item no. FKM	
ISO O-Rings for aseptic threaded connection				
DN08	BBS-02-01.N08.64.SI.1	(730 997)	BBS-02-01.N08.64.VI.2	(on request)
DN10	BBS-02-01.N10.64.SI.1	(731 025)	BBS-02-01.N10.64.VI.2	(on request)
DN15	BBS-02-01.N15.64.SI.1	(731 081)	BBS-02-01.N15.64.VI.2	(on request)
DN20	BBS-02-01.N20.64.SI.1	(731 122)	BBS-02-01.N20.64.VI.2	(on request)
DN25	BBS-02-01.N25.64.SI.1	(731 161)	BBS-02-01.N25.64.VI.2	(on request)
DN32	BBS-02-01.N32.64.SI.1	(731 206)	BBS-02-01.N32.64.VI.2	(on request)
DN40	BBS-02-01.N40.64.SI.1	(731 236)	BBS-02-01.N40.64.VI.2	(on request)
DN50	BBS-02-01.N50.64.SI.1	(731 275)	BBS-02-01.N50.64.VI.2	(on request)
DN65	BBS-02-01.N65.64.SI.1	(731 304)	BBS-02-01.N65.64.VI.2	(on request)
DN80	BBS-02-01.N80.64.SI.1	(731 328)	BBS-02-01.N80.64.VI.2	(on request)

Dimensions [mm] DIN O-Rings for aseptic threaded connection



Orifice	Item no. EPDM		Item no. FEP	
DIN O-Rings for aseptic threaded connection				
DN10	BBS-02-01.D10.64.EP.0	(730 383)	BBS-02-01.D10.64.FE.3	(730 385)
DN15	BBS-02-01.D15.64.EP.0	(730 435)	BBS-02-01.D15.64.FE.3	(730 437)
DN20	BBS-02-01.D20.64.EP.0	(730 480)	BBS-02-01.D20.64.FE.3	(730 483)
DN25	BBS-02-01.D25.64.EP.0	(730 515)	BBS-02-01.D25.64.FE.3	(730 517)
DN32	BBS-02-01.D32.64A.EP.0	(730 569)	BBS-02-01.D32.64.FE.3	(730 566)
DN40	BBS-02-01.D40.64A.EP.0	(730 593)	BBS-02-01.D40.64.FE.3	(730 591)
DN50	BBS-02-01.N50.64A.EP.0	(730 624)	BBS-02-01.D50.64A.FE.3	(730 626)
DN65	BBS-02-01.D65.64A.EP.0	(730 655)	BBS-02-01.D65.64A.FE.3	(730 657)
DN80	BBS-02-01.D80.64A.EP.0	(730 692)	BBS-02-01.D80.64A.FE.3	(730 694)
DN100	BBS-02-01.D100.64.EP.0	(730 406)	BBS-02-01.D100.64.FE.3	(730 408)

Orifice	Item no. Silicone		Item no. FKM	
DIN O-Rings for aseptic threaded connection				
DN10	BBS-02-01.D10.64.SI.1	(on request)	BBS-02-01.D10.64.VI.2	(on request)
DN15	BBS-02-01.D15.64.SI.1	(on request)	BBS-02-01.D15.64.VI.2	(on request)
DN20	BBS-02-01.D20.64.SI.1	(on request)	BBS-02-01.D20.64.VI.2	(on request)
DN25	BBS-02-01.D25.64.SI.1	(on request)	BBS-02-01.D25.64.VI.2	(730 519)
DN32	BBS-02-01.D32.64.SI.1	(on request)	BBS-02-01.D32.64.VI.2	(on request)
DN40	BBS-02-01.D40.64.SI.1	(on request)	BBS-02-01.D40.64.VI.2	(on request)
DN50	BBS-02-01.D50.64.SI.1	(on request)	BBS-02-01.D50.64A.VI.2	(730 628)
DN65	BBS-02-01.D65.64.SI.1	(on request)	BBS-02-01.D65.64A.VI.2	(730 659)
DN80	BBS-02-01.D80.64.SI.1	(on request)	BBS-02-01.D80.64.VI.2	(on request)
DN100	BBS-02-01.D100.64.SI.1	(on request)	BBS-02-01.D100.64.VI.2	(on request)

Dimensions [mm] BS-OD O-Rings for aseptic threaded connection



Orifice	Item no. EPDM		Item no. FEP	
BS-OD O-Rings for aseptic threaded connection				
DN1/2"	BBS-02-01.K05.64.EP.0	(730 788)	BBS-02-01.K05.64.FE.3	(730 790)
DN3/4"	BBS-02-01.K07.64.EP.0	(730 803)	BBS-02-01.K07.64.FE.3	(730 805)
DN1"	BBS-02-01.K10.64.EP.0	(730 825)	BBS-02-01.K10.64.FE.3	(730 827)
DN1 1/2"	BBS-02-01.K15.64.EP.0	(730 855)	BBS-02-01.K15.64.FE.3	(730 857)
DN2"	BBS-02-01.K20.64.EP.0	(730 878)	BBS-02-01.K20.64.FE.3	(730 880)
DN2 1/2"	BBS-02-01.K25.64.EP.0	(730 903)	BBS-02-01.K25.64.FE.3	(730 905)
DN3"	BBS-02-01.K30.64.EP.0	(730 924)	BBS-02-01.K30.64.FE.3	(730 926)
DN4"	BBS-02-01.K40.64.EP.0	(730 946)	BBS-02-01.K40.64.FE.3	(730 948)

Orifice	Item no. Silicone		Item no. FKM	
BS-OD O-Rings for aseptic threaded connection				
DN1/2"	BBS-02-01.K05.64.SI.1	(on request)	BBS-02-01.K05.64.VI.2	(on request)
DN3/4"	BBS-02-01.K07.64.SI.1	(on request)	BBS-02-01.K07.64.VI.2	(on request)
DN1"	BBS-02-01.K10.64.SI.1	(on request)	BBS-02-01.K10.64.VI.2	(743 876)
DN1 1/2"	BBS-02-01.K15.64.SI.1	(on request)	BBS-02-01.K15.64.VI.2	(on request)
DN2"	BBS-02-01.K20.64.SI.1	(on request)	BBS-02-01.K20.64.VI.2	(730 882)
DN2 1/2"	BBS-02-01.K25.64.SI.1	(on request)	BBS-02-01.K25.64.VI.2	(on request)
DN3"	BBS-02-01.K30.64.SI.1	(on request)	BBS-02-01.K30.64.VI.2	(730 928)
DN4"	BBS-02-01.K40.64.SI.1	(on request)	BBS-02-01.K40.64.VI.2	(on request)