

2/2-way ball valve with electric rotary actuator, ball valve in stainless steel, DN 10-65



- Suitable for aggressive media
- High flow rate valve
- Actuator with adjustable limit switches
- Visual position indicator
- Multivoltage

The electric ball valve Type 8804 consists of an electrical rotary actuator and a 2/2 or 3/2-way ball valve made of stainless steel. 2-way variants are available with a 2-piece or 3-piece ball valve for various applications. The 3-way version is offered with L or T bore holes (on request). The rotary actuator is compactly built. It can be used also as single device for the operation of other control elements (see datasheet Type 3003).

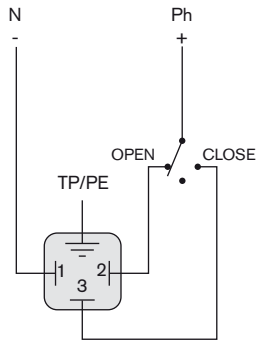
Heat resistor and torque limiter are standard. The body is made of low inflammable material, classified acc. to UL 94 V0.

Technical Data	
Body material	Stainless steel 1.4408
Seal material	PTFE
Medium	Gaseous and liquid media, which do not attack the housing and sealing materials
Medium temperature	-10 to +130°C, depending on medium pressure – see Pressure/ Temperature chart
Ambient temperature	-10 to +55°C
Port connection	- Threaded port G 1/4" to G2 1/2" Thread acc. to DIN EN 10226-1 (previously DIN 2999) - Weld end (on request)
Operating pressure	0-63 bar/0-100 bar
Connection between actuator and ball valve	Flange acc. to ISO 5211
Operating voltage	15-30 V AC 50/60 Hz/12-48 V DC 100-240 V AC 50/60 Hz/100-350 V DC
Voltage tolerance	+/-10%; for 12 to 48V DC the operating voltage should not go below 11.5 V
Duty rating	acc. to IEC34 S4 = 50%
Electrical connection	Cable plug acc. to EN175301-803 (supply voltage) Cable glands ISO M20
Protection class	IP66 with cable plug installed
Rotation angle	90° (+/-5°)
Rotation time	see ordering chart
Limit switches	4 adjustable (2 for motor and 2 additional for feedback) max. 230 V / 5A
Elec. actuator material	Cover/Body Axis/Screws Gearbox
	Nylon/PA 6.6 Stainless steel Stainless steel and PC
Installation	Don't mount the actuator upside down

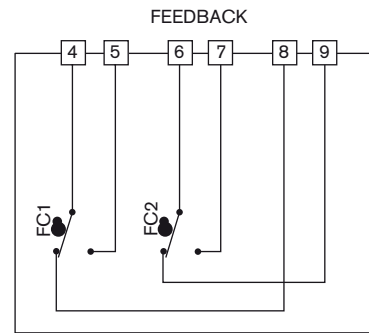
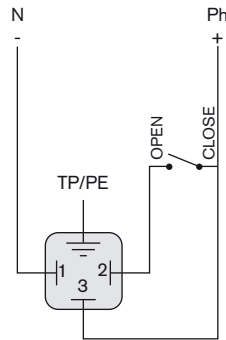
Electrical connections

On/Off Version

3 points Mode

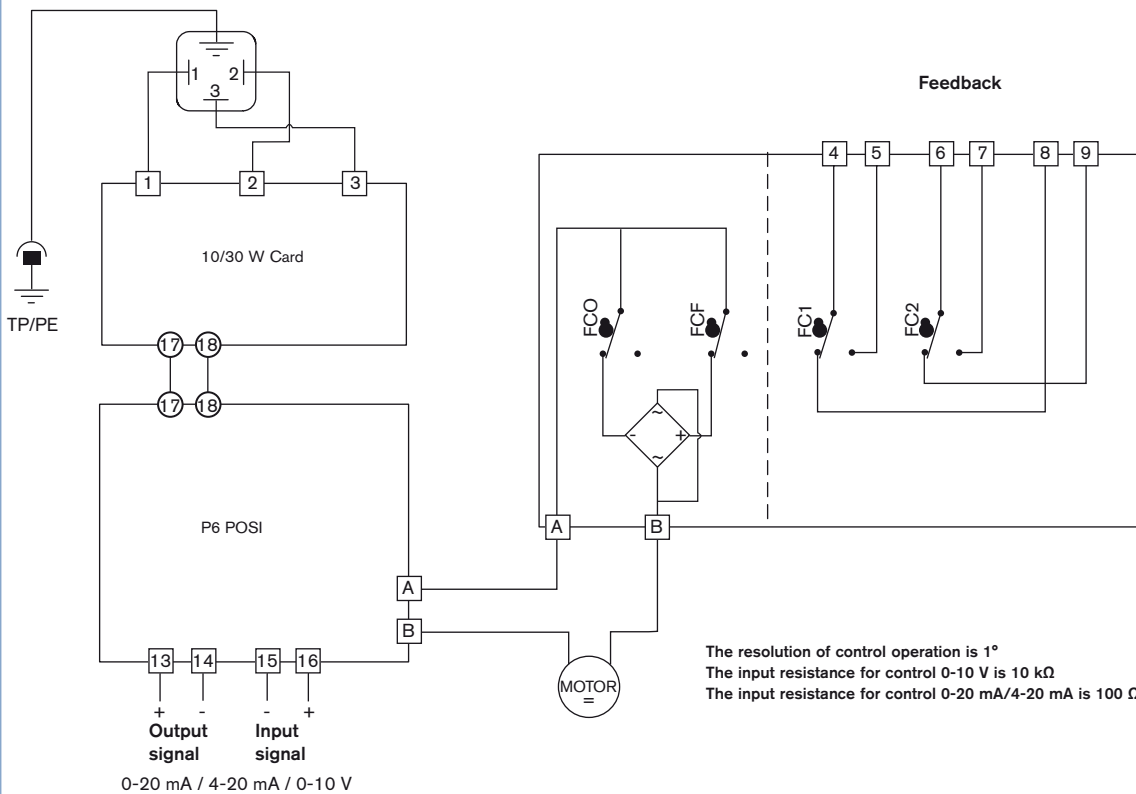
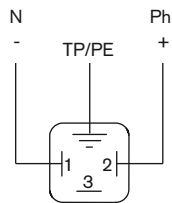


On/Off Mode



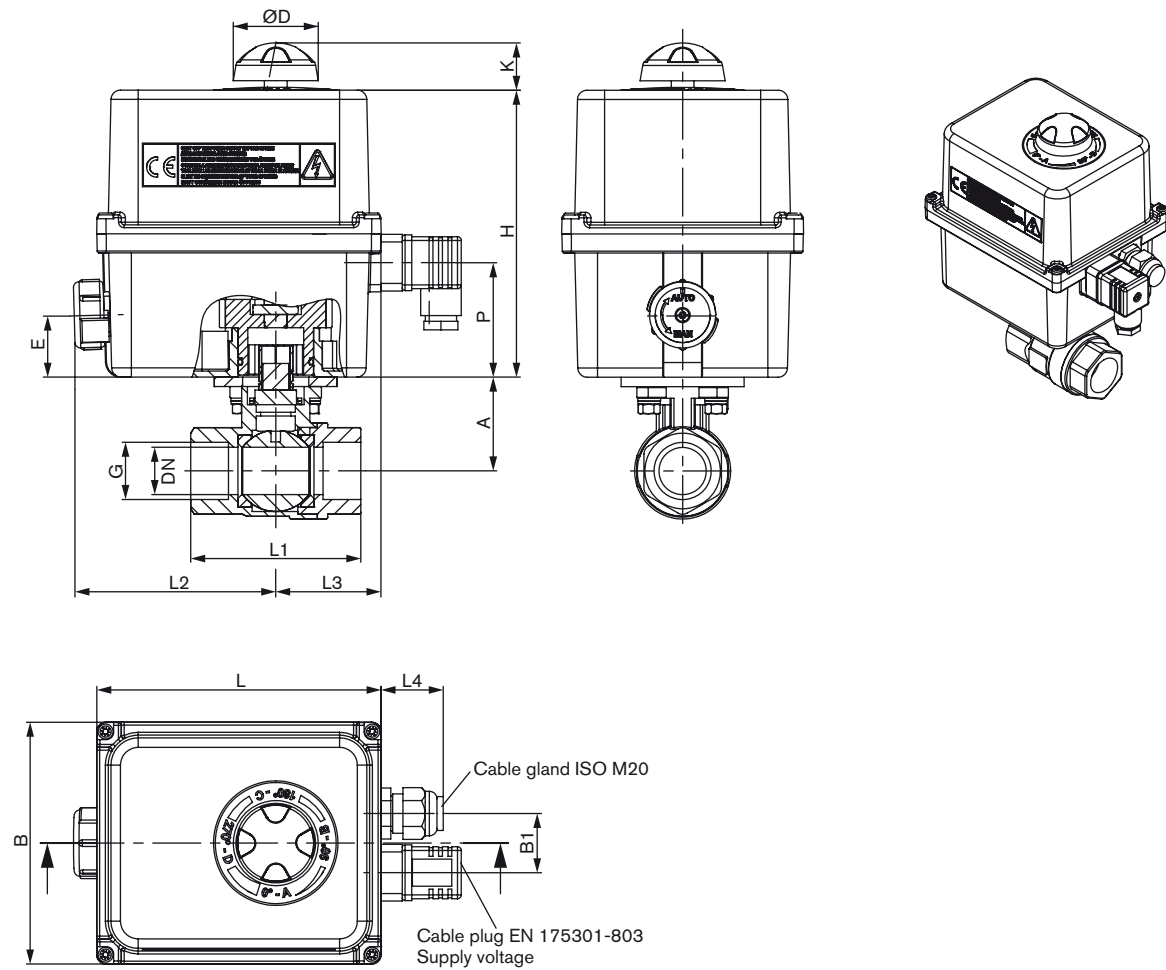
Symbol	Designation
FCO	Open limit switch
FCF	Close limit switch
FC1	Auxiliary 1 limit switch
FC2	Auxiliary 2 limit switch

Version with analog signal input



Dimensions [mm]

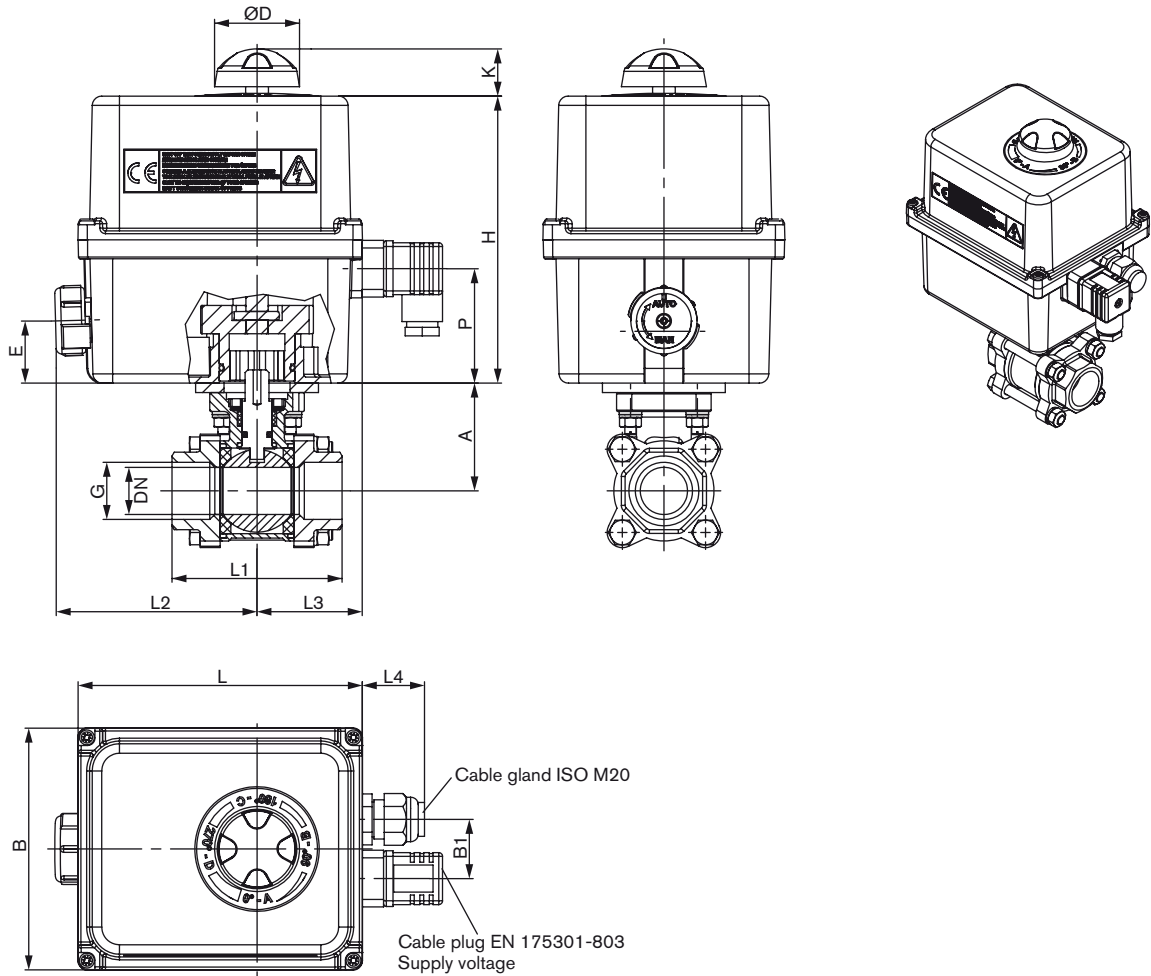
Ball Valve, 2-piece



Actuator	DN	Port connection [Inch]	A	B	B1	ØD	E	H	K	L	L1	L2	L3	L4	P
20Nm	10,0	1/4"	33,2	91,7	30,0	37,1	23,5	123,7	24,5	136,5	50,0	103,6	45,4	29,7	47,0
	13,0	3/8"	33,2								60,0				
	15,0	1/2"	35								75,0				
	20,0	3/4"	41								80,0				
35-100Nm	10,0	1/4"	44,2	127,7	31,3	37,1	32,5	150,8	25,5	150,3	50,0	106,3	55,7	29,7	60,5
	13,0	3/8"	44,2								60,0				
	15,0	1/2"	46,0								75,0				
	20,0	3/4"	41,0								80,0				
	25,0	1"	44,5								90,0				
	32,0	1 1/4"	49,5								110,0				
	40,0	1 1/2"	55,0								120,0				
	50,0	2"	66,5								140,0				
65,0	2 1/2"	101,0	185,0												

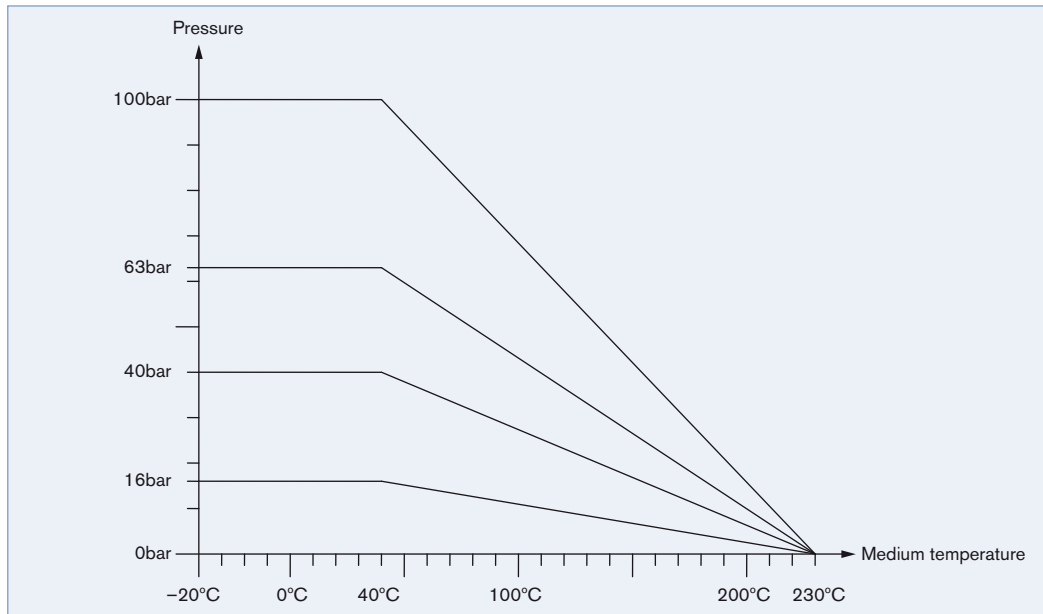
Dimensions [mm]

Ball Valve, 3-piece



Actuator	DN	Port connection [Inch]	A	B	B1	ØD	E	H	K	L	L1	L2	L3	L4	P
20Nm	10	1/4"	40	91.7	30.0	37.1	23.5	123.7	24.5	136.5	65	103.6	45.4	29.7	47.0
	12	3/8"									75				
	15	1/2"									80				
	20	3/4"	44												
35-100Nm	10	1/4"	40	127.7	31.3	37.1	32.5	150.8	25.5	150.3	65	106.3	55.7	29.7	60.5
	12	3/8"									75				
	15	1/2"									80				
	20	3/4"	44												
	25	1"	52												
	32	1 1/4"	58												
	40	1 1/2"	68												
	50	2"	77												
65	2 1/2"	98													

Pressure Temperature Chart



Ordering chart (further versions on request)

2/2-way ball valve with threaded port connection, 2-piece

Orifice (mm)	Port connection (inches)	Kv-value water (m ³ /h)	Pressure range (bar) 2-piece	Rotation time for 90° (s)	Actuator (Nm)	Voltage	Item no. 2-piece
10.0	1/4	7	0-100	012	020	100-240 V AC 50/60 Hz 100-350 V DC	226 466
12.7	3/8	9	0-100	012	020		226 468
15.0	1/2	19	0-100	012	020		226 469
20.0	3/4	46	0-100	007	035		226 470
25.0	1	72	0-100	007	035		226 471
32.0	1 1/4	105	0-100	012	060		226 472
40.0	1 1/2	170	0-100	023	100		226 473
10.0	1/4	7	0-100	012	020	15-30 V AC 50/60 Hz 12-48 V DC	226 475
12.7	3/8	9	0-100	012	020		226 476
15.0	1/2	19	0-100	012	020		226 477
20.0	3/4	46	0-100	007	035		226 478
25.0	1	72	0-100	007	035		226 479
32.0	1 1/4	105	0-100	012	060		226 480
40.0	1 1/2	170	0-100	023	100		226 481

*for 12 to 48V DC the operating voltage should not go below 11.5 V

Ordering chart, continued

2/2-way ball valve with threaded port connection, 3-piece

Orifice (mm)	Port connection (inches)	Kv-value water (m ³ /h)	Pressure range (bar) 3-piece	Rotation time for 90° (s)	Actuator (Nm)	Voltage	Item no. 3-piece
10.0	1/4	7	0-63	012	020	100-240 V AC 50/60 Hz 100-350 V DC	226 483
12.7	3/8	9	0-63	012	020		226 484
15.0	1/2	19	0-63	012	020		226 485
20.0	3/4	46	0-63	012	020		226 486
25.0	1	72	0-63	007	035		226 487
32.0	1 1/4	105	0-63	007	035		226 488
40.0	1 1/2	170	0-63	012	060		241 107
50.0	2	275	0-63	012	060		226 490
10.0	1/4	7	0-63	012	020		15-30 V AC 50/60 Hz 12-48 V DC
12.7	3/8	9	0-63	012	020	226 497	
15.0	1/2	19	0-63	012	020	226 498	
20.0	3/4	46	0-63	012	020	226 499	
25.0	1	72	0-63	007	035	226 500	
32.0	1 1/4	105	0-63	007	035	225 945	
40.0	1 1/2	170	0-63	012	060	241 109	
50.0	2	275	0-63	012	060	226 502	

*for 12 to 48V DC the operating voltage should not go below 11.5 V

i Further versions on request



Port connection

3 piece ball valves also versions with NPT thread



Additional

Positioner card with normal signal input 4-20 mA or 0-10 V
Feedback via Potentiometer or 4-20 mA analog signal
Slow rotation version
3-position actuator (90° or 180°)
3/2-way
Fail safe

Accessories

Description	Item no.
Key for adjustment of limit switches	679 946

Note

You can fill out the fields directly in the PDF file before printing out the form.

Ball valve and butterfly valve - Request for quotation

▶ Please fill out and send to your nearest Bürkert facility* with your inquiry or order

Company	Contact person
Customer No	Department
Address	Tel./Fax
Postcode/Town	E-mail

Quantity Required delivery date

Operating data

Pipeline	DN <input type="text"/>	PN <input type="text"/>		
Pipe material	<input type="text"/>			
Process medium	<input type="text"/>			
Type of media	<input type="checkbox"/> Liquid <input type="checkbox"/> Steam <input type="checkbox"/> Gas			
Flow rate (Q, Q _N , W) ¹⁾	Min <input type="text"/>	Standard <input type="text"/>	Max <input type="text"/>	Unit <input type="text"/>
Media temperature	<input type="text"/>	<input type="text"/>	<input type="text"/>	<input type="text"/>
Operating pressure	<input type="text"/>	<input type="text"/>	<input type="text"/>	<input type="text"/>

¹⁾Standard unit
Liquid Q = m³/h; Steam W = Kg/h; Gas Q_N = Nm³/h

Valve features

Type	<input type="checkbox"/> 2/2-way ball valve <input type="checkbox"/> 3/2-way ball valve L-Boring <input type="checkbox"/> 3/2-way ball valve T-Boring <input type="checkbox"/> Butterfly valve
Body material	<input type="checkbox"/> Stainless steel ⁴⁾ <input type="checkbox"/> PVC-C <input type="checkbox"/> PVC-U <input type="checkbox"/> PP <input type="checkbox"/> PVDF <input type="checkbox"/> other <input type="text"/>
Seal material	<input type="checkbox"/> PTFE/EPDM ²⁾ <input type="checkbox"/> PTFE/FKM ²⁾ <input type="checkbox"/> EPDM ³⁾ <input type="checkbox"/> FKM ³⁾ <input type="checkbox"/> other <input type="text"/>
Nominal pressure	PN <input type="text"/>
Orifice	DN <input type="text"/>
Type of connection	<input type="checkbox"/> Flange <input type="checkbox"/> True union <input type="checkbox"/> Welded <input type="checkbox"/> Int. thread <input type="checkbox"/> Ext. thread <input type="checkbox"/> Clamp
Standard connection	<input type="checkbox"/> ISO <input type="checkbox"/> DIN <input type="checkbox"/> ANSI <input type="checkbox"/> JIS <input type="checkbox"/> other <input type="text"/>
Pilot pressure	<input type="text"/> min. <input type="text"/> max.

²⁾ for plastic ball valve ³⁾ for butterfly valves ⁴⁾ Stainless steel ball valve with PTFE seal material only

Mode of actuation

<input type="checkbox"/> Manual
<input type="checkbox"/> Pneumatic
<input type="checkbox"/> Control function A: NC by spring action <input type="checkbox"/> Double-acting
<input type="checkbox"/> Electric actuator
Function <input type="checkbox"/> On/Off function <input type="checkbox"/> Control actuator with analog signal input
Power supply <input type="checkbox"/> 230 V AC <input type="checkbox"/> 24 V AC <input type="checkbox"/> 24 V DC <input type="checkbox"/> other <input type="text"/>