



2/2-way ball valve with electric rotary actuator, ball valve in plastic, DN 10-50

- Suitable for aggressive media
- High flow rate valve
- Actuator with adjustable limit switches
- Visual position indicator
- Safe blocked union nuts with Dual Block® Technology¹
- Multivoltage

The electric ball valve Type 8804 consists of an electrical rotary actuator and a 2/2 or 3/2-way ball valve made of plastic. Different housings and materials are available for various applications. The rotary actuator is compactly built. It can be used also as single device for the operation of other control elements (see datasheet Type 3003).

Special features

The ball valves are equipped with the so-called Dual Block® Technology. This system allows you to lock the union nuts in the preset position. It prevents them separating during operation.

Heat resistor and torque limiter are standard. The body is made of low inflammable material, classified acc. to UL 94 V0.

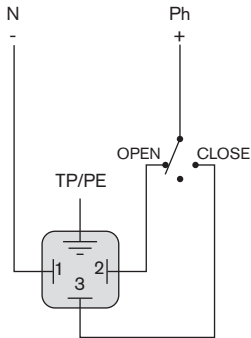
Technical data	
Body material	PVC-U, (PP, PVDF, PVC-C on request)
Seal material	PTFE/EPDM, (PTFE/FKM)
Media	Gaseous and liquid media, which do not attack the housing and sealing materials
Media temperature	(see diagram Pg. 3)
PVC-U	0 to +60°C
PP	+10 to +80°C
PVDF	0 to +120°C
Ambient temperature	-10 to +55°C
Port connections	
PVC-U (PP, PVDF on request)	True union (weld end coupling)
Operating pressure	0-10 bar; 0-16 bar
Connection between actuator and ball valve	Flange acc. to ISO 5211
Operating voltage	15-30 V AC 50/60 Hz / 12-48 V DC 100-240 V AC 50/60 Hz / 100-350 V DC
Voltage tolerance	+/-10%; for 12 to 48V DC the operating voltage should not go below 11.5 V
Duty rating	acc. to IEC34 S4 = 50%
Electrical connection	Cable Plug acc. to EN175301-803 (supply voltage) Cable glands ISO M20
Protection class	IP66 with cable plug installed
Rotation angle	90° (+/-5°)
Rotation time	see ordering chart
Limit switches	4 adjustable (2 for motor and 2 additional for feedback) max. 250 V AC/1.5 A max. 250 V AC/1.5 A
Material (Actuator)	
Cover/Body	Nylon/PA 6.6
Axis/Screws	Stainless steel
gearbox	stainless steel and PC
Installation	Don't mount the actuator upside down

¹ Dual Block® Technology is a registered trademark of FIP - Formatura Iniezione Polimeri S.p.A

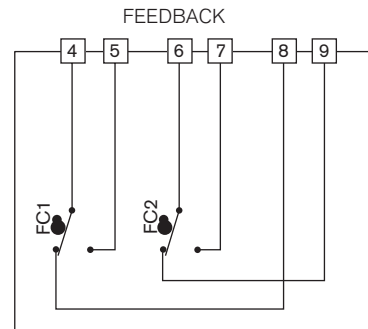
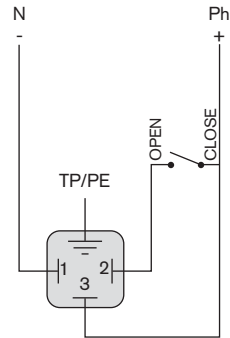
Electrical connection

On/Off Version

3 point mode

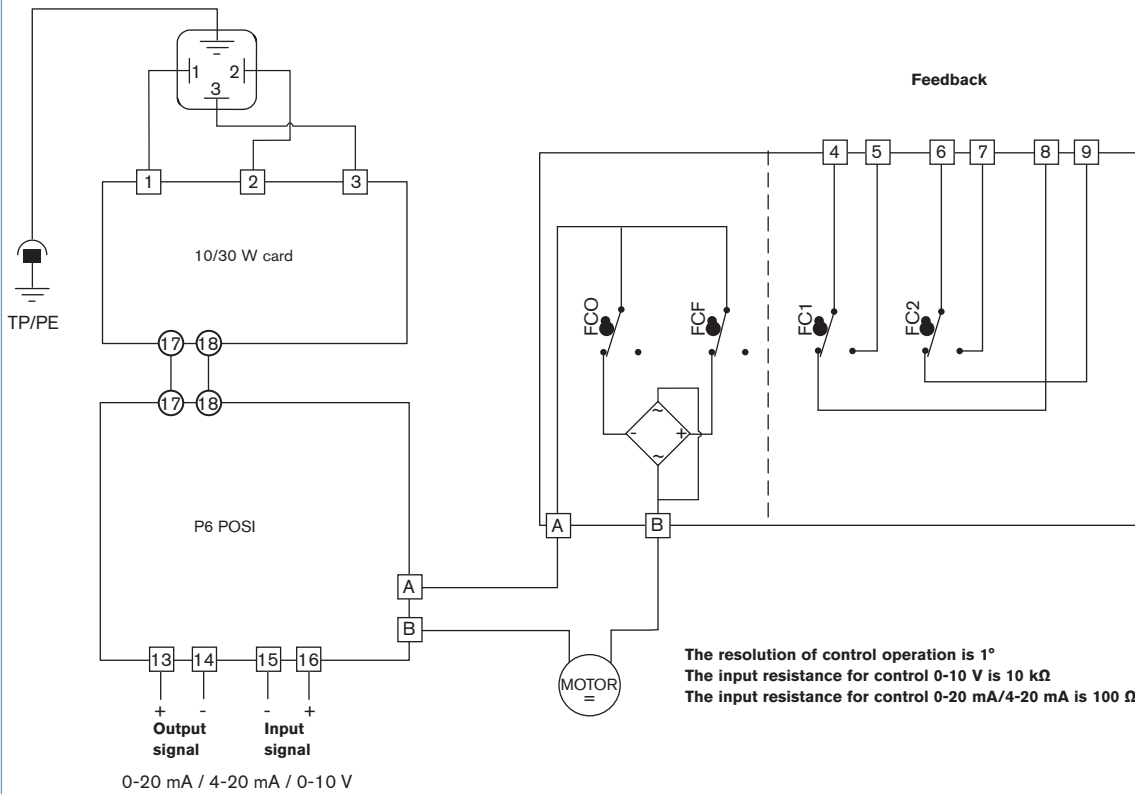
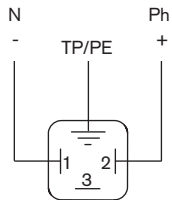


on/off mode

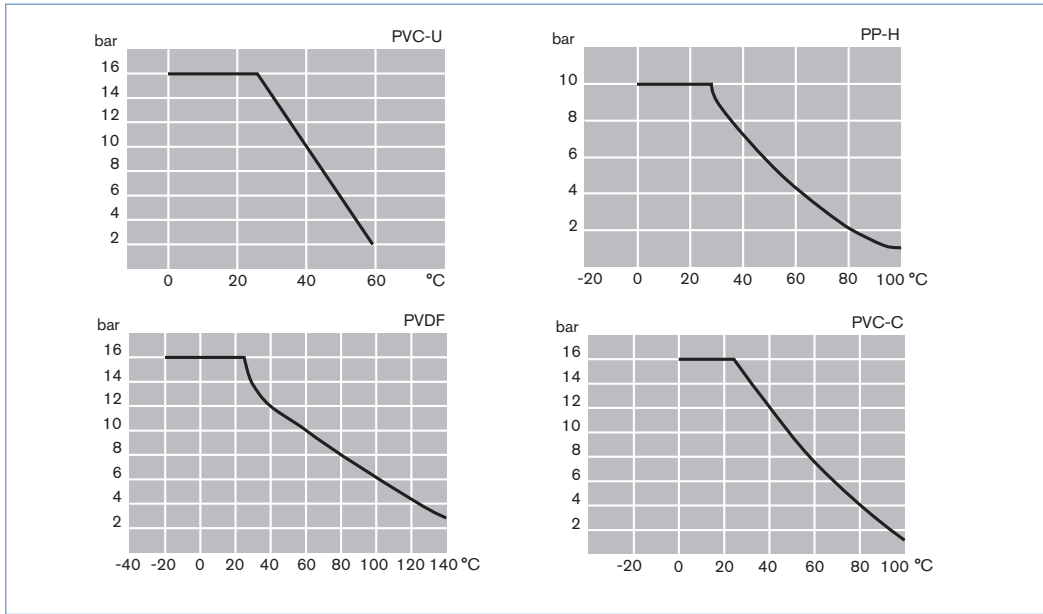


Symbol	Designation
FCO	Open limit switch
FCF	Close limit switch
FC1	Auxiliary 1 limit switch
FC2	Auxiliary 2 limit switch

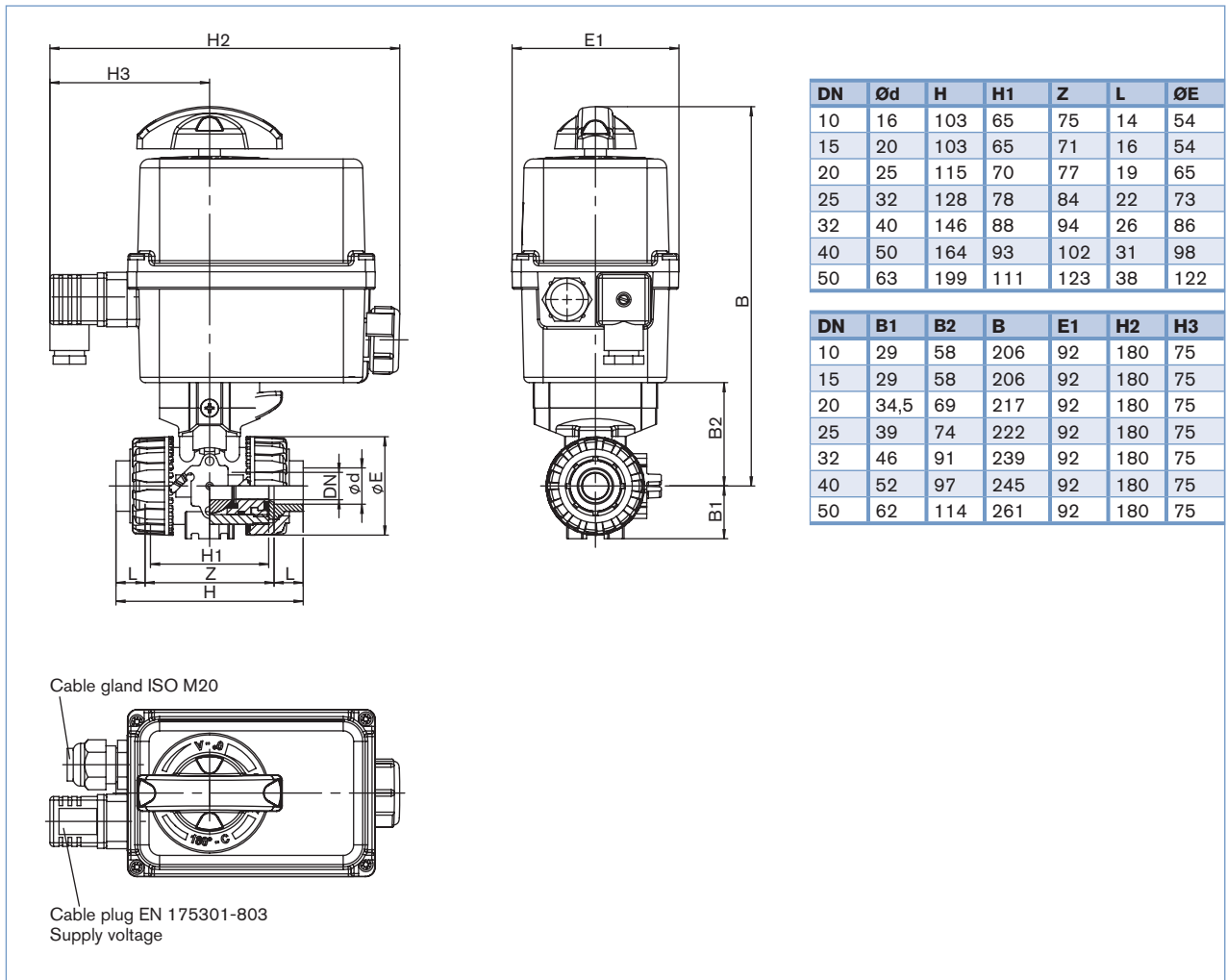
Version with analog signal input



Pressure Temperature Chart



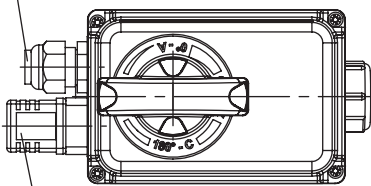
Dimensions [mm]



DN	Ød	H	H1	Z	L	ØE
10	16	103	65	75	14	54
15	20	103	65	71	16	54
20	25	115	70	77	19	65
25	32	128	78	84	22	73
32	40	146	88	94	26	86
40	50	164	93	102	31	98
50	63	199	111	123	38	122

DN	B1	B2	B	E1	H2	H3
10	29	58	206	92	180	75
15	29	58	206	92	180	75
20	34,5	69	217	92	180	75
25	39	74	222	92	180	75
32	46	91	239	92	180	75
40	52	97	245	92	180	75
50	62	114	261	92	180	75

Cable gland ISO M20



Cable plug EN 175301-803
Supply voltage

Ordering chart (further versions on request)

Orifice (mm)	Port connection Ø (mm)	Kv-value water (m³/h)	Pressure range PVC-U, PVDF (bar)	Pressure range PP (bar)	Rotation time for 90° (s)	Actuator (Nm)	Voltage*	Item no. True union PVC-U
Seal material PTFE/EPDM								
10	16	4,8	0-16	0-10	12	20	100–240 V AC 50/60 Hz 100–350 V DC	226 440
15	20	12	0-16	0-10	12	20		226 453
20	25	23	0-16	0-10	12	20		226 454
25	32	46	0-16	0-10	12	20		226 455
32	40	66	0-16	0-10	12	20		226 456
40	50	105	0-16	0-10	12	20		226 457
50	63	204	0-10	0-10	12	20		226 178
10	16	4,8	0-16	0-10	12	20		15–30 V AC 50/60 Hz 12–48 V DC
15	20	12	0-16	0-10	12	20	226 460	
20	25	23	0-16	0-10	12	20	226 461	
25	32	46	0-16	0-10	12	20	226 462	
32	40	66	0-16	0-10	12	20	226 463	
40	50	105	0-16	0-10	12	20	226 464	
50	63	204	0-10	0-10	12	20	226 465	

* for 12 to 48V DC the operating voltage should not go below 11.5 V

i Further versions on request



Materials

Body: PVDF, PVC-C, PP
Seal material FKM on request



Additional

Positioner card with normal input signal 4-20 mA or 0-10 V
Feedback via Potentiometer or 4-20 mA analog signal
Slow rotation version
3-position actuator (90° or 180°)
Fail safe version
3/2-way

Accessories

Description	Item no.
Key for adjustment of limit switches	665 296

Spacer plate and thread insert for mounting on control panel or wall on request.

Note

You can fill out the fields directly in the PDF file before printing out the form.

Ball valve and butterfly valve - Request for quotation

▶ Please fill out and send to your nearest Bürkert facility* with your inquiry or order

Company	Contact person
Customer No	Department
Address	Tel./Fax
Postcode/Town	E-mail

Quantity Required delivery date

Operating data

Pipeline	DN <input type="text"/>	PN <input type="text"/>		
Pipe material	<input type="text"/>			
Process medium	<input type="text"/>			
Type of media	<input type="checkbox"/> Liquid <input type="checkbox"/> Steam <input type="checkbox"/> Gas			
Flow rate (Q, Q _N , W) ¹⁾	Min <input type="text"/>	Standard <input type="text"/>	Max <input type="text"/>	Unit <input type="text"/>
Media temperature	<input type="text"/>	<input type="text"/>	<input type="text"/>	<input type="text"/>
Operating pressure	<input type="text"/>	<input type="text"/>	<input type="text"/>	<input type="text"/>

¹⁾ Standard unit
Liquid Q = m³/h; Steam W = Kg/h; Gas Q_N = Nm³/h

Valve features

Type	<input type="checkbox"/> 2/2-way ball valve <input type="checkbox"/> 3/2-way ball valve L-Boring <input type="checkbox"/> 3/2-way ball valve T-Boring <input type="checkbox"/> Butterfly valve
Body material	<input type="checkbox"/> Stainless ⁴⁾ steel <input type="checkbox"/> PVC-C <input type="checkbox"/> PVC-U <input type="checkbox"/> PP <input type="checkbox"/> PVDF <input type="checkbox"/> other <input type="text"/>
Seal material	<input type="checkbox"/> PTFE/EPDM ²⁾ <input type="checkbox"/> PTFE/FKM ²⁾ <input type="checkbox"/> EPDM ³⁾ <input type="checkbox"/> FKM ³⁾ <input type="checkbox"/> other <input type="text"/>
Nominal pressure	PN <input type="text"/>
Orifice	DN <input type="text"/>
Type of connection	<input type="checkbox"/> Flange <input type="checkbox"/> True union <input type="checkbox"/> Welded <input type="checkbox"/> Int. thread <input type="checkbox"/> Ext. thread <input type="checkbox"/> Clamp
Standard connection	<input type="checkbox"/> ISO <input type="checkbox"/> DIN <input type="checkbox"/> ANSI <input type="checkbox"/> JIS <input type="checkbox"/> other <input type="text"/>
Pilot pressure	<input type="text"/> min. <input type="text"/> max.

²⁾ for plastic ball valve ³⁾ for butterfly valves ⁴⁾ Stainless steel ball valve with PTFE seal material only

Mode of actuation

<input type="checkbox"/> Manual
<input type="checkbox"/> Pneumatic
<input type="checkbox"/> Control function A: NC by spring action
<input type="checkbox"/> Double-acting
<input type="checkbox"/> Electric actuator
Function <input type="checkbox"/> On/Off function <input type="checkbox"/> Control actuator with analog signal input
Power supply <input type="checkbox"/> 230 V AC <input type="checkbox"/> 24 V AC <input type="checkbox"/> 24 V DC <input type="checkbox"/> other <input type="text"/>