

Control Head for the integrated mounting on process valves



- Compact stainless steel design
- Integrated analog valve position registration (Teach function)
- Coloured illuminated status display
- Internal control air routing
- Fieldbus interface AS-Interface / DeviceNet (option)

Type 8695 can be combined with...



Type 2101

Globe valve
actuator ø 50 mm



Type 2100

Angle-seat valve
actuator ø 50 mm

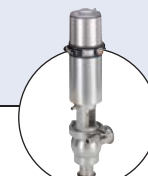


Type 2103

Diaphragm valve
actuator ø 50 mm



Type 2000



Hygienic process
valves

The control head Type 8695 is optimised for integrated mounting on the 21XX process valve series with smaller actuator sizes.

The registration of the valve position is done through a contact-free analog position sensor, which automatically recognises and saves the valve end position through the Teach function when starting up. The integrated pilot valve controls single or double-acting actuators.

The design of the control unit and the actuator is specially designed for the requirements of a hygienic process environment and enables an internal control air channel without external tubings.

Besides the electrical position feedback signal the status of the device is shown directly on the control head itself through coloured LEDs showing a clear visible valve position status.

As an option a fieldbus interface, AS-Interface or DeviceNet can be chosen.

The housing is easy to clean and features proven electrical IP protection and chemically resistant materials for use in hygienic processing in food, beverage and pharmaceutical industries. Combined with Bürkert ELEMENT actuators the unique pilot valve system enables a compressed air recycling that avoids actuator chambers contamination from the environment.

Technical data	
Material	
Body	PPS, stainless steel
Cover	PC
Sealing	EPDM
Control medium	neutral gases, air DIN ISO 8573-1
Dust concentration	Class 5 (<40 µm particle size)
Particle density	Class 5 (<10 mg/m ³)
Pressure condensation point	Class 3 (<-20 °C)
Oil concentration	Class 5 (<25 mg/m ³)
Supply pressure	0 to 7 bar ¹⁾
Actuator system	for single or double-acting actuators
Actuator series 21XX	actuator ø 50 mm
Pilot air ports	Threaded ports G1/8 stainless steel or Push-in connectors (Ø6 mm and 1/4" tube)
Position feedback	Analog position sensor (contact-free) with autotune switchpoint (PNP) (NPN on request)
Stroke range valve spindle	2,5 to 32 mm
Ambient temperature	0 to +55 °C
Installation	as required, preferably with actuator in upright position
Protection class	IP 65/67 according to EN 60529
Protection class	3 according to VDE 0580
Fieldbus communication (option)	AS-Interface / DeviceNet
Conformity	according to CE in compliance with EMV2004/108/EG

1) The supply pressure has to be 0,5 - 1 bar above the minimum required pilot pressure for the valve actuator.

Technical data, continued

Without fieldbus communication

Technical data	
Power supply	24 VDC \pm 10%
Residual ripple with DC	10%
Power consumption	< 2W
Electrical connection	
Multipole	M12, 8-pole
Output	max. 100 mA per output

With fieldbus communication; AS-Interface

Technical data	
Profile	S-B.A.E. (A/B slave, max. 62 slaves/master) Certificate No. 87301 acc. to version 3.0
Power supply through bus line separated from bus signal	29.5 to 31.6 VDC according to specification on request
Power consumption Units without external power supply Max. power consumption Power consumption in normal operation (after current reduction; Valve + 1 end position achieved)	120 mA 90 mA
Output Contact rating Watch-dog function	\leq 1W over AS-Interface integrated
Electrical connection	M12 4-pins
Programming data	see operating instructions

With fieldbus communication; DeviceNet

Technical data	
Profile	Group 2 Only Slave Device; MAC-ID and transfer rate adjustable through DIP-switch
Power supply	11 to 25 VDC
Power consumption	\leq 80 mA
Output Inrush current Hold current	\leq 50 mA \leq 30 mA
Input "0" "1"	0 to 1.5 V \geq 8 V
Electrical connection	M12-Micro Style - flange connector 5-pins (configura- tion according DeviceNet-specification)

Ordering information for process valve system with integrated control head

A complete process valve system consists of a Control Head Type 8695 and a process valve Type 21xx.

The following information is necessary for the selection of a complete system:

• **Item no.** of the desired control head **Type 8695** (see ordering chart on p. 4)

• **Item no.** of the desired process valve **Type 21xx**
(see separate datasheet e.g. Type 2100, 2101, 2103)

You order two components and receive a complete assembled and certified valve.

When you click on the orange box "More info." below, you will come to our website for the resp. product where you can download the datasheet.

Example for process valve systems

Control Head Type 8695



Desired process valve, example

More info.



2101
Globe valve
actuator
ø 50 mm

More info.



2100
Angle-seat
valve
actuator
ø 50 mm

More info.



2103
Diaphragm
valve
actuator
ø 50 mm

More info.



Third party
hygienic
process
valves

Complete process valve system



Valve system
On/Off ELEMENT
Type 8801-GC-M
2101 + 8695



Valve system
On/Off ELEMENT
Type 8801-YE-M
2100 + 8695



Valve system
On/Off ELEMENT
Type 8801-DF-M
2103 + 8695



Customised
attachment to
third party
actuators*

*: please see datasheet 8681/
ELEMENT installation kits to
third party process valves or
contact your sales office for
related drawings or individual
engineering support]

Ordering chart Control Head Type 8695 (other versions on request)

Communication	Control function pilot valve system	Pilot air ports	Position feedback	Item no.	
				Actuator series ELEMENT types 21xx	Actuator series CLASSIC types 20xx
AS-Interface S-B.A.E	Single acting (NO/NC)	threaded ports G1/8	2 switching points	227 444	223 896
	Single acting (NO/NC)	Push-in (tube Ø 6 mm and 1/4")	2 switching points	227 445	
	Double acting (springless)	threaded ports G1/8	2 switching points	227 440	223 906
	Double acting (springless)	Push-in (tube Ø 6 mm and 1/4")	2 switching points	227 441	
DeviceNet	Single acting (NO/NC)	threaded ports G1/8	2 switching points	238 724	238 726
	Single acting (NO/NC)	Push-in (tube Ø 6 mm and 1/4")	2 switching points	238 723	
	Double acting (springless)	threaded ports G1/8	2 switching points	*	238 727
	Double acting (springless)	Push-in (tube Ø 6 mm and 1/4")	2 switching points	*	
Without	Single acting (NO/NC)	threaded ports G1/8	2 switching points	227 446	223 895
	Single acting (NO/NC)	Push-in (tube Ø 6 mm and 1/4")	2 switching points	227 447	
	Double acting (springless)	threaded ports G1/8	2 switching points	227 442	223 905
	Double acting (springless)	Push-in (tube Ø 6 mm and 1/4")	2 switching points	227 443	
	without	threaded ports G1/8	2 switching points	234 246	*
		Push-in (tube Ø 6 mm and 1/4")	2 switching points	248 993	*

* on request

Further versions on request



Approvals
CSA
NEMA4X



Additional
AS-Interface version S-B.F.F (31 nodes)
AS-Interface version with external power supply
Switchpoint NPN-coded

Ordering chart adapter kit (has to be ordered separately)

Description	Actuator size	Control function	Item no.
Adapter kit ELEMENT types 21xx	Ø50 mm	universal	679 918
Adapter kit CLASSIC types 20xx	Ø40 mm	universal	683 057
Adapter kit CLASSIC types 20xx Globe and angle seat valves 2012/2000 Diaphragm valve 2030/2031	Ø50 mm	universal	683 058 683 059
Adapter kit CLASSIC types 20xx	Ø63 mm ¹⁾	universal	683 060

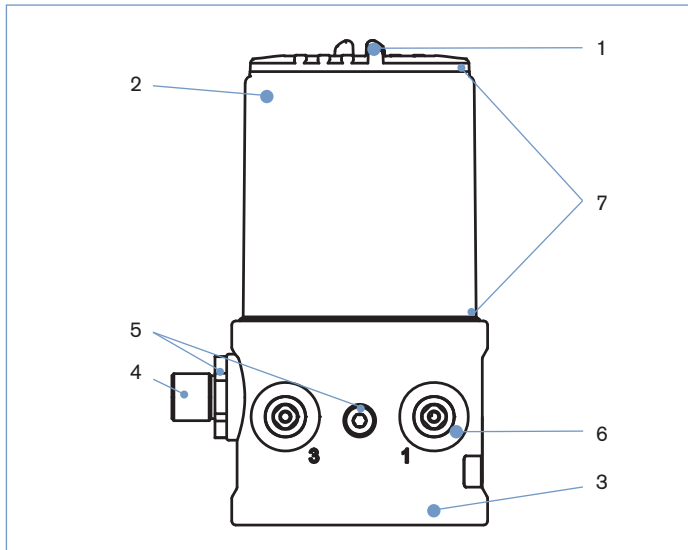
For installation kits to 3rd party process valves please see datasheet installation kits for hygienic process valves or contact your sales office for related drawings or individual engineering support

¹⁾When combining actuator size Ø 63 mm with 8695 CLASSIC reduced switching dynamics should be expected. Please choose Type 8691 for shorter response times.

Ordering chart accessories

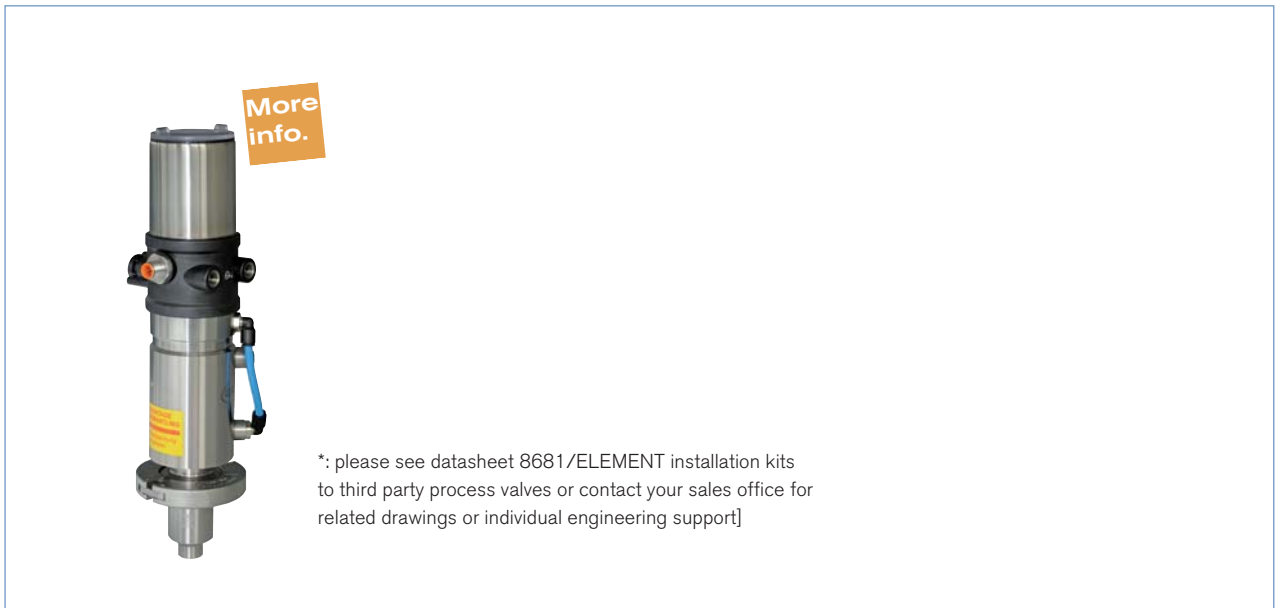
Description	Item no.
M12 socket, 8-pins, 2m assembled cable	919 061
M12 socket, 8-pins, 5m assembled cable	919 267
M12 socket, 4-pins, 5m assembled cable	918 038
M12 socket, 5-pins, 2m assembled cable	438 680
Silencer G1/8	780 779
Silencer, push-in connector	902 662
Sensor puck (spare part)	677 245

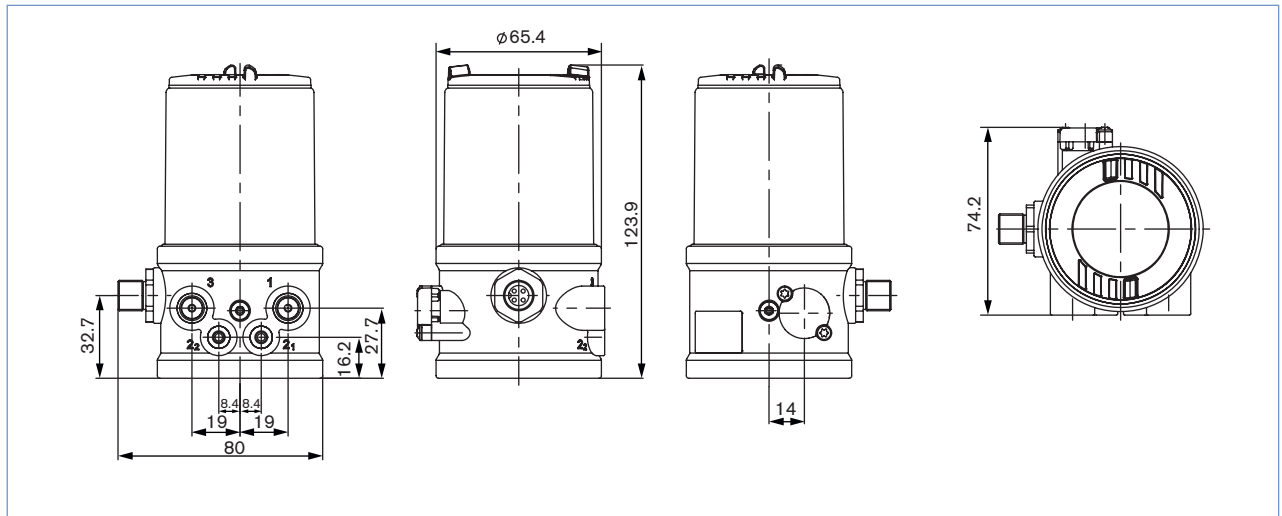
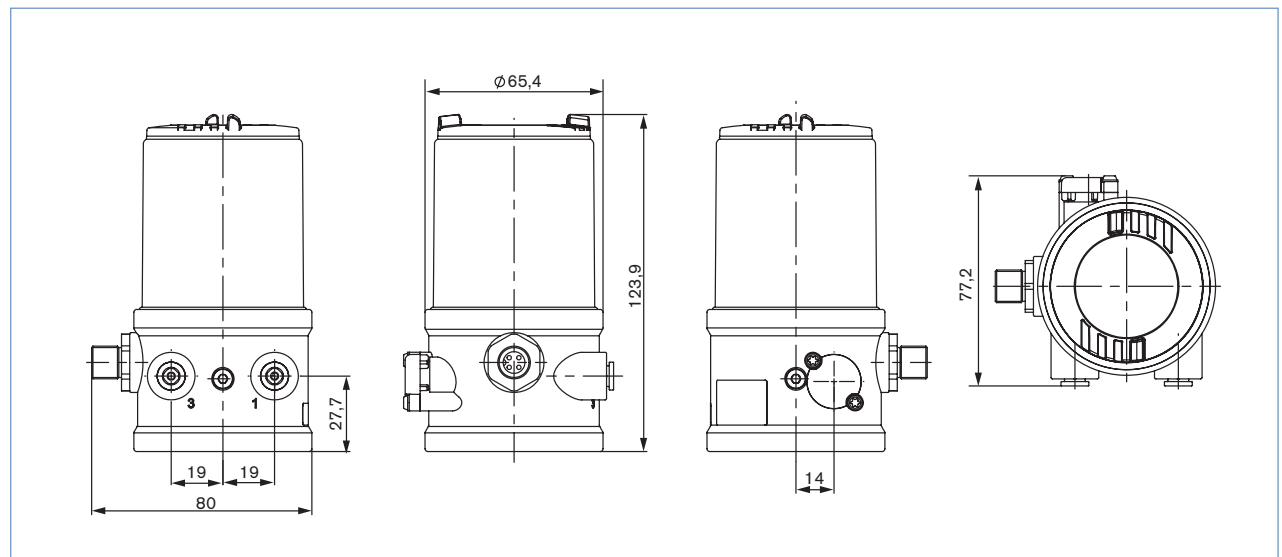
Materials



1 Cover	PC
2 Body casing	Stainless steel
3 Basic body	PPS
4 Plug M12	Stainless steel
5 Screws	Stainless steel
6 Push-in connector	POM/stainless steel
Threaded ports G1/8	Stainless steel
7 Sealing	EPDM

Mounting on third party hygienic process valves



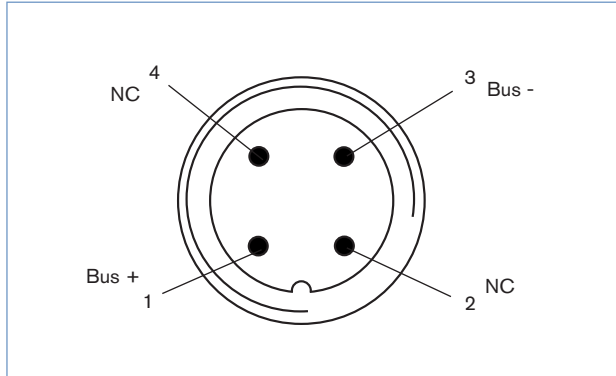
Dimensions [mm]**Mounting on process valve CLASSIC types 20xx****Mounting on process valve ELEMENT types 21xx**

Electrical installation

AS-Interface

Multipole connection AS-Interface

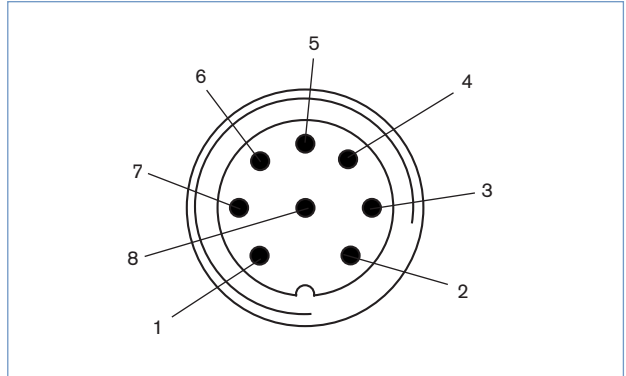
Bus connection (M12-circular connector, 4-pins, male)



Pin	Description	Configuration
1	Bus +	bus line AS-Interface +
2	NC	not assigned
3	Bus -	bus line AS-Interface -
4	NC	not assigned

24 V DC

Multipole connection M12, 8-pins



Pin	Description	Configuration
1	Limit switch 1	IN 1 / TOP
2	Limit switch 2	IN 2 / BOTTOM
3	Power supply	GND
4	Operating voltage +	24 V DC
5	Valve control +	Valve +
6	Valve control -	Valve
7	n.a.	not assigned
8	n.a.	not assigned

With fieldbus communication DeviceNet

