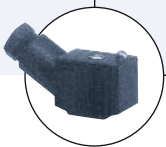


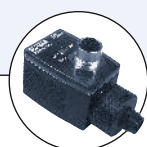


Type 6642 can be combined with...



Type 2506

Cable plug

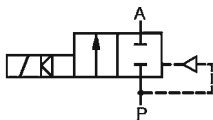


Type 2510

ASI Cable plug

Type 6642 is a servo-assisted solenoid valve with a servo-diaphragm and a plastic body. A minimum differential pressure of 0.5 bar is required for full opening and closing. The valve can be removed from pipework.

Circuit function A



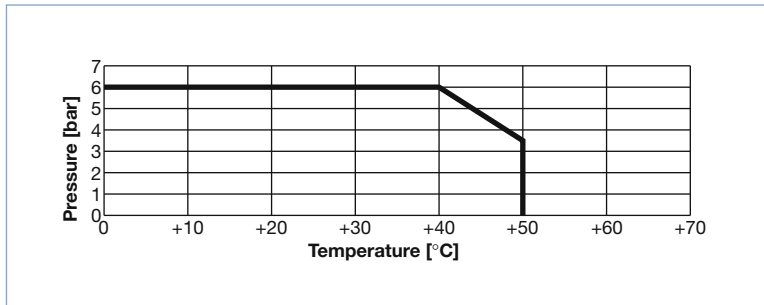
2/2-way flow valve, normally closed, with 3 way rocker solenoid pilot valve

2/2-way Solenoid Valve, servo-assisted

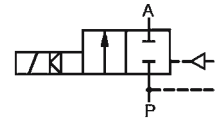
- Medium separated from the actuator system
- For aggressive fluids
- True union and threaded connection
- Can be mounted or removed radially for space-saving installation
- Low power consumption

Technical data		
Orifice	DN 10 and 13 mm	
Body material	PVC	
Body cap	PVC	
Pilot valve flange	PEEK	
Valve internal parts	PVDF	
Seal material	FKM, EPDM	
Media FKM	Neutral media, oxidizing acid, salt solution, oil with additives	All kinds of fluids which don't attack the materials in contact with the media
Media EPDM	Acid to medium concentration, alkaline media	
Temperature media	See Pressure-temperature chart	
FKM	0 to +50 °C	
EPDM	0 to +50 °C	
Ambient temperature	0 to +40 °C	
Operating voltage	24 V/DC (3.4 W) for 24 VAC, use cable plug with rectifier 230-240 V/UC (4 W)	
Voltage tolerance	±10%	
Duty cycle	100% continuous rating	
Electrical connection	Tag connector acc. to DIN EN 175301-803 Form C (previously DIN 43650)	Tag connector sideways at 24 V DC Tag connector above at 110/230 V/UC
Cable plugs	Acc. to DIN EN 175301-803 Form C (previously DIN 43650) for cable plugs type 2506 or type 2510 (see Accessories)	
Protection class	IP 65 with cable plug	
Installation	As required, preferably with actuator in upright position	
Power consumption	Inrush and hold	DC 3.4 W and UC 4 W
Response times	Opening [ms]	200 - 400
	Closing [ms]	400 - 600

Pressure-temperature chart PVC

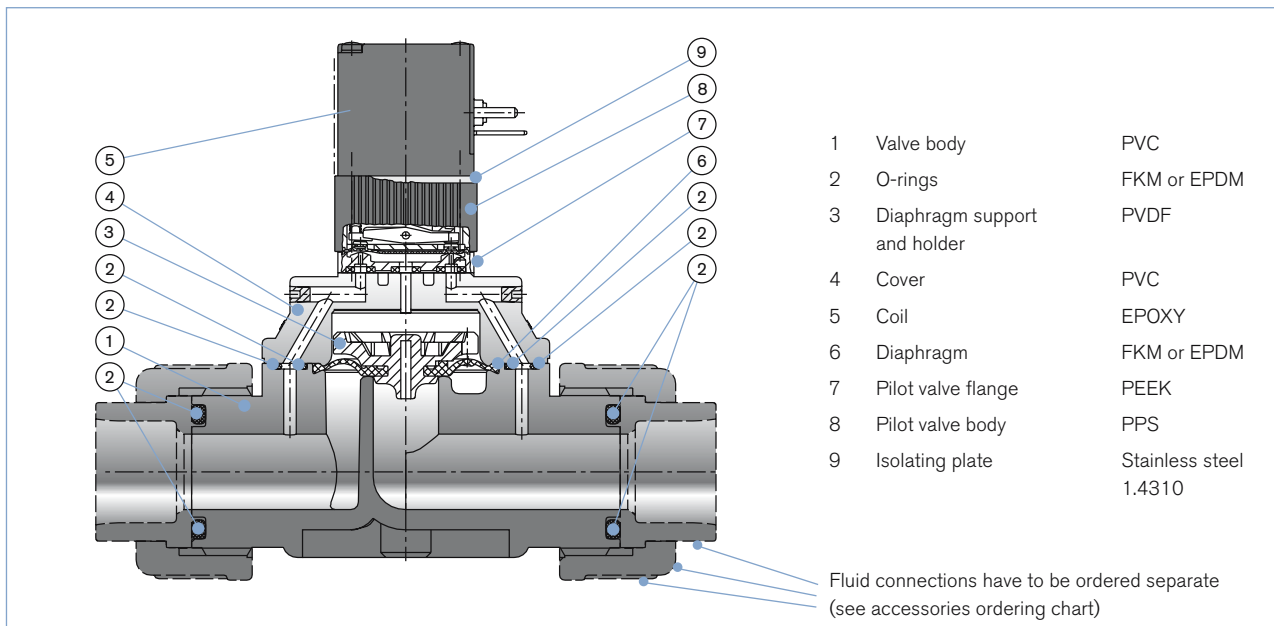


Circuit Function A



2/2-way valve, normally closed
by spring action

Materials



Ordering chart (other versions on request)

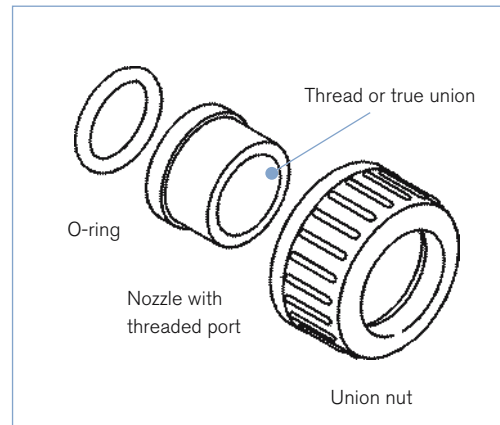
All valves with PVC body material, without cable plug and without connection set.

Note: the connection set is not supplied as standard, please order separately.

Circuit function	Orifice [mm]	Kv vav/ve water [m³/h]	Pressure range [bar]	Weight [kg]	Seal material	Voltage/ Frequency [V/Hz]	Item no.
A	10	1.8	0.5 - 6	0.15	EPDM	024/DC	142 165
						230-240/UC	142 167
					FKM	024/DC	142 171
						230-240/UC	142 173
	13	4.0	0.5 - 6	0.20	EPDM	024/DC	142 177
						230-240/UC	142 179
FKM	024/DC	142 183					
	230-240/UC	142 185					

Ordering chart for accessories

Orifice [mm]	Port connection	Seal material (O-ring)	Item no.
10	True union Ø 16 mm	FKM	142 413
		EPDM	142 416
	Threaded port G 3/8	FKM	142 414
		EPDM	142 417
13	True union Ø 20 mm	FKM	142 419
		EPDM	142 422
	Threaded port G 1/2	FKM	142 420
		EPDM	142 423




Note: 2 connection kits are required for 1 valve

A wide selection of further cable plugs is available (see special data sheets type 2506 and 2510)

Ordering chart for Cable plug

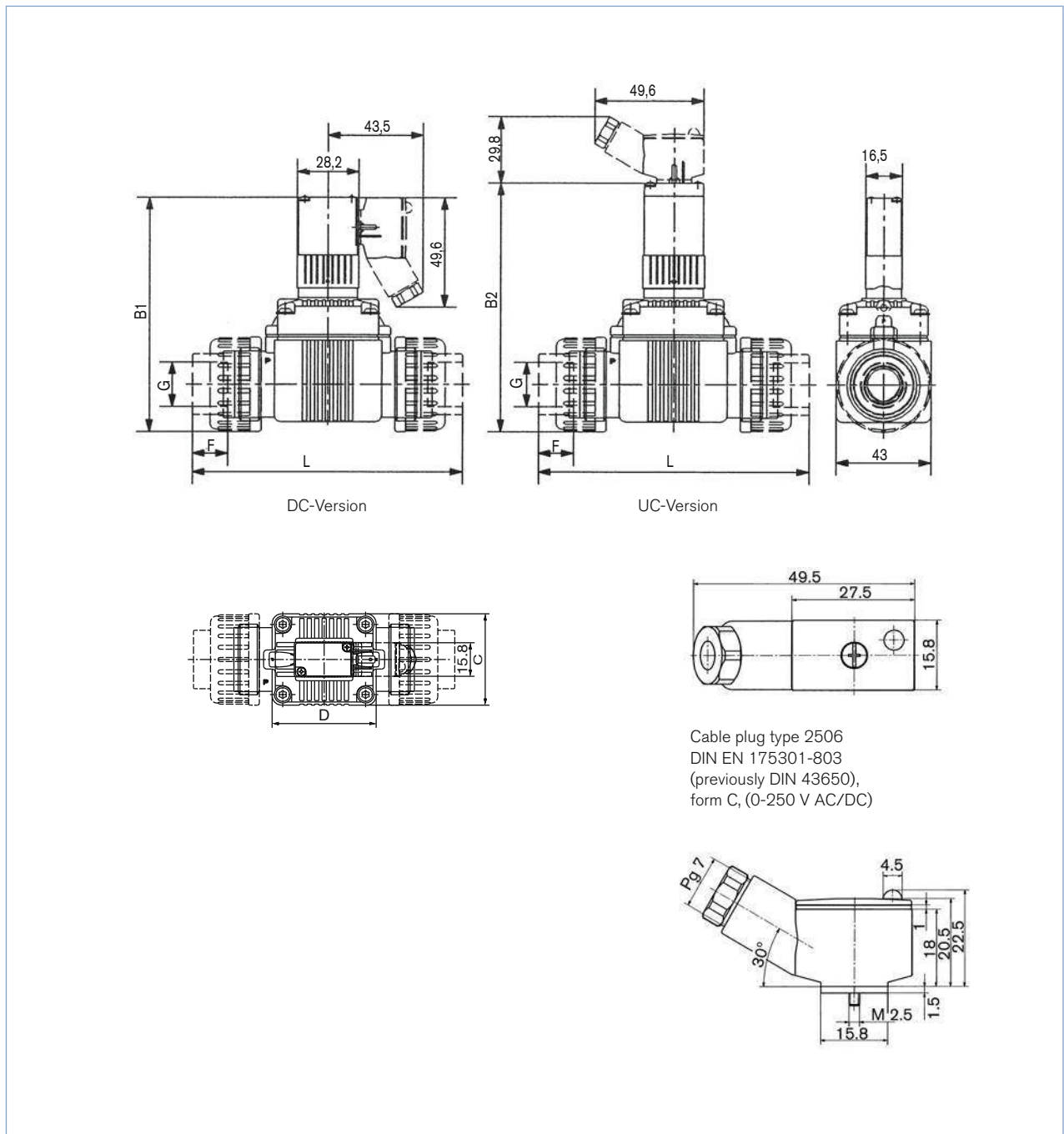
Cable plug Type 2506 acc. to DIN EN 175301-803 Form C, with flat seal and fixing screw, without cable

	Voltage	Current rating	Item no. without cable
	Without circuitry		
	0 to 250 V/AC/DC	max. 3 A	008 353

Other accessories on request

- Multiple manifolds
- Fittings and hoses (also see Type 1013-AA 05)
- Special electronics to shorten the response time

Dimensions [mm]



Orifice DN mm	Measurements Threaded Conn.				Measurements True Union				Measurements Hose Conn.				Measurements								
	G1	E	F1	L	E	F	G	L	E	F	G	L	A	B	C	D	H	K	I		
	Port Conn. [inch]	Thread depth [mm]	[mm]	[mm]	[mm]	[mm]	[mm]	[mm]	[mm]	[mm]	[mm]	[mm]	[mm]	[mm]	[mm]	[mm]	[mm]	[mm]	[mm]		
10	G 3/8	17.0	13.0	107.0	17.0	14.0	16.2	107.0	42.0	32.0	14.0	157.0	78.5	96.0	32.0	32.0	10.5	35.0	73.0		
13	G 1/2	19.0	13.0	123.0	19.0	16.0	20.2	123.0	43.0	32.0	16.0	171.0	85.0	106.5	43.0	49.0	15.0	43.0	85.0		