



2/2- and 3/2-Way Rocker Solenoid Valve

- Direct acting
- Hermetic isolation of fluid from the actuator
- Vacuum to 10 bar
- Orifice 2 or 3 mm
- Manual override as standard

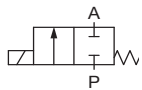
Note

This Type will be replaced by 6628 in 2013

The 6608 analytical solenoid valve combines all state of the art features in a compact design.

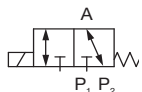
With high reliability, virtually no heat transfer between fluid and coil, low internal volume and Burkert's expertise in supplying customized solutions, these valves are a perfect fit even for the most demanding applications.

Circuit function A



2/2-way valve,
direct acting,
normally closed

Circuit function T



3/2-way valve,
direct acting,
universal function

Other circuit functions on request.

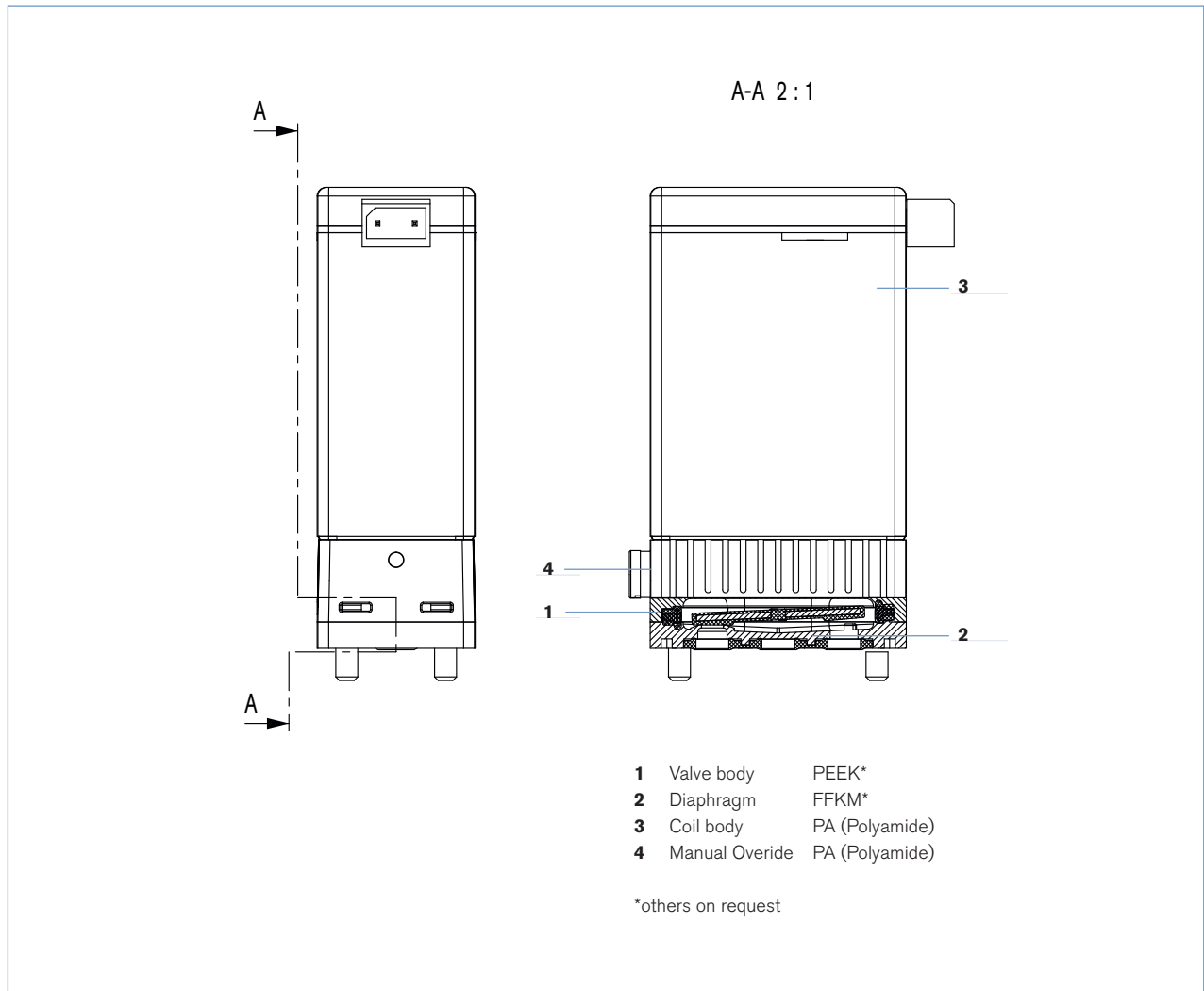
Technical data	
Orifice	DN 2.0–3.0 mm
Body material	PEEK (PPS on request - Type 6128)
Seal material	FFKM (Perfluorelastomer) FKM and EPDM on request
Medium	Resistant to neutral and aggressive gases and liquids acc. to our chemical resistance chart
Medium temperature	0 to +70 °C
Ambient temperature	0 to +60 °C
Viscosity	max. ca. 21 mm ² /s
Port connection	Bürkert sub-base G 1/8 NPT 1/8
Operating voltage	12 V DC, 24 V DC LED and Rectifier on request Other voltages on request
Voltage tolerance	±10%
Power consumption	5 W
Duty cycle	100 % continuous operation
Response times	
opening	18 ms
closing	8 ms
Manual override	Standard (non-lockable)
Electrical connections	Rectangular plug or single flying leads, 500 mm, cable plug form B on request
Protection class	IP 40
Installation	As required, preferably with actuator in upright position

Characteristics

Circuit function	Orifice DN [mm]	Kv value water [m³/h]	QNn value air [l/min]	Pressure range [bar]1)	Response times		Max. Pressure difference [bar]	Max. Pressure difference [PSI]
					opening [ms]	closing [ms]		
A	2.0	0.10	104	Vacu-10	18	8	10	145
	3.0	0.13	136	Vacu-3	18	8	3	43.5
T	2.0	0.11	119	Vacu-5	18	8	5	72.5
	3.0	0.13	136	Vacu-2	18	8	2	29

- Flow rate k_v -value water [m³/h]:
Measured at +20 °C, 1 bar pressure to atmosphere
- Response times [ms]:
Measured at valve outlet at 3 bar and +20 °C according to ISO 12238
Opening: Pressure rise from 0 ... 10%
Closing: Pressure drop from 100 ... 90%

Material specification



Ordering chart

Circuit function	Orifice [mm]	Body material	Seal material	Voltage/ Frequency [V/Hz]	Port connection	Electrical connection	Item no.
A	2.0	PEEK	FFKM	12/DC	Bürkert sub-base	Rectangular plug	160 730
						Flying leads, 500 mm	160 741
					G 1/8	Rectangular plug	160 742
					NPT 1/8	Rectangular plug	160 829
				24/DC	Bürkert sub-base	Rectangular plug	160 743
						Flying leads, 500 mm	160 744
					G 1/8	Rectangular plug	160 745
					NPT 1/8	Rectangular plug	160 830
	3.0	PEEK	FFKM	12/DC	Bürkert sub-base	Rectangular plug	160 746
						Flying leads, 500 mm	153 135
					G 1/8	Rectangular plug	160 747
					NPT 1/8	Rectangular plug	160 831
				24/DC	Bürkert sub-base	Rectangular plug	150 825
						Flying leads, 500 mm	150 826
					G 1/8	Rectangular plug	160 748
					NPT 1/8	Rectangular plug	160 832
T	2.0	PEEK	FFKM	12/DC	Bürkert sub-base	Rectangular plug	160 749
						Flying leads, 500 mm	160 750
					G 1/8	Rectangular plug	160 751
					NPT 1/8	Rectangular plug	160 833
				24/DC	Bürkert sub-base	Rectangular plug	160 752
						Flying leads, 500 mm	160 753
					G 1/8	Rectangular plug	160 754
					NPT 1/8	Rectangular plug	160 834
	3.0	PEEK	FFKM	12/DC	Bürkert sub-base	Rectangular plug	160 755
						Flying leads, 500 mm	159 356
					G 1/8	Rectangular plug	160 756
					NPT 1/8	Rectangular plug	160 835
				24/DC	Bürkert sub-base	Rectangular plug	150 797
						Flying leads, 500 mm	149 485
					G 1/8	Rectangular plug	160 757
					NPT 1/8	Rectangular plug	160 836

▪ Rectangular plug types delivered without plug (see ordering chart for accessories)

i Further versions on request



Electrical connection

Cable plug connection acc. to Form B (industrial standard)
Flying leads

Ordering chart for accessories

Accessories	Item no.	
Rectangular cable plug, Type 2505 5.08 mm matrix	with 3 m cable	133 486
	with 300 mm flying leads	644 068
	with 2 single contacts	644 067
Clamp kit for securing single valves suitable for Bürkert sub-base (1 packaging unit contains 10 clamps and 10 M4x6 screws)	648 231	

Dimensions [mm]

