

2/2 and 3/2-way Rocker Solenoid Valve for analytical applications



Type 6606 can be combined with...



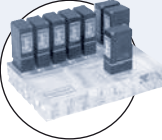
Type 2506

Cable plug form C



Type 2505

Rectangular Cable plug

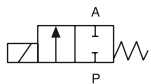


Manifolds

- With isolating diaphragm
- Low dead volume, low internal volume
- For aggressive media
- High back-pressure tightness
- NC, NO or universal circuit function
- Compact 16 mm design

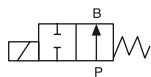
The direct-acting rocker solenoid valves with isolating diaphragm of Type 6606 (2/2- and 3/2-way) are high quality valves for analytical technology. They have minimal dead volume and internal volume with few crevices making them easy to flush out. The fluid only comes into contact with the body material and the FFKM seal. The heat transfer to the medium is minimal. The fluid path is isolated from the coil by a stainless steel plate. The valves are ideal for dosing, filling, mixing and distributing of small quantities of fluid for medical, analytical and laboratory applications.

Circuit function A



2/2-way valve, direct-acting, normally closed

Circuit function B



2/2-way valve, direct-acting, normally open

Circuit function T

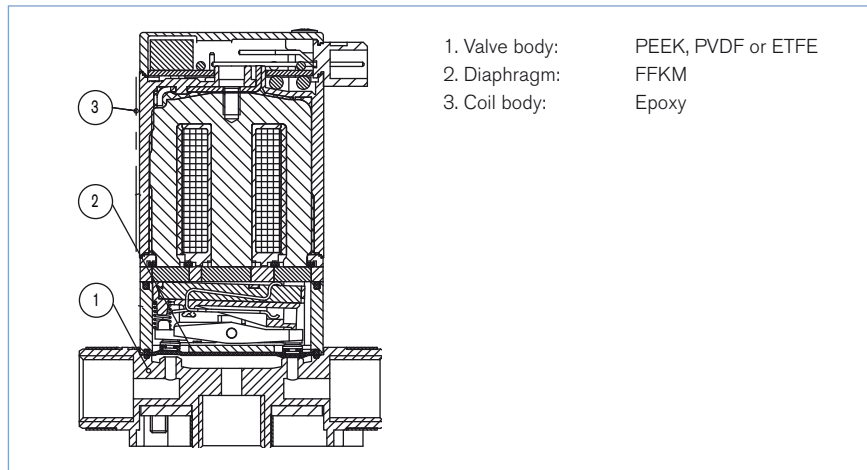


3/2-way valve, direct-acting, universal functions

Technical data

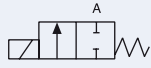
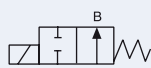
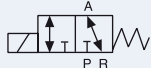
Orifice	DN 1.5 - 1.6 mm
Body material	PEEK, PVDF, ETFE
Seal material	FFKM
Media	Resistant to neutral and aggressive liquids and gases; see Burkert chemical resistance chart
Temperature media	0 to 50 °C
Ambient temperature	Max +55°C
Internal volume	Depending on body
NPT 1/8, G 1/8	85µl
Flange	68µl
Body UNF	30µl (2/2way); 55µl (3/2way)
On request	<10µl
Operating voltage	12 and 24V/DC ; other voltages on request
Voltage tolerance	± 10%
Power consumption	3.4 W
Duty cycle	100% continuous rating
Electrical connection	Rectangular plug, Type 2505 Spade connection acc. to DIN 43650 C for cable plug Type 2506 on top 2 FEP flying leads, AWG24, 500mm long Circular connector and spade connection at side on request
Protection class	IP65 with flying leads or with cable plug IP40 with rectangular plug
Installation	As required, preferably with actuator in upright position
Response times	According to ISO 12238:2001; Measured at valve outlet with air at 2 bar and +20 °C
Open	approx. 25 ms (Pressure rise 0 to 10%)
Close	approx. 25 ms (Pressure drop 100 to 90%)

Materials



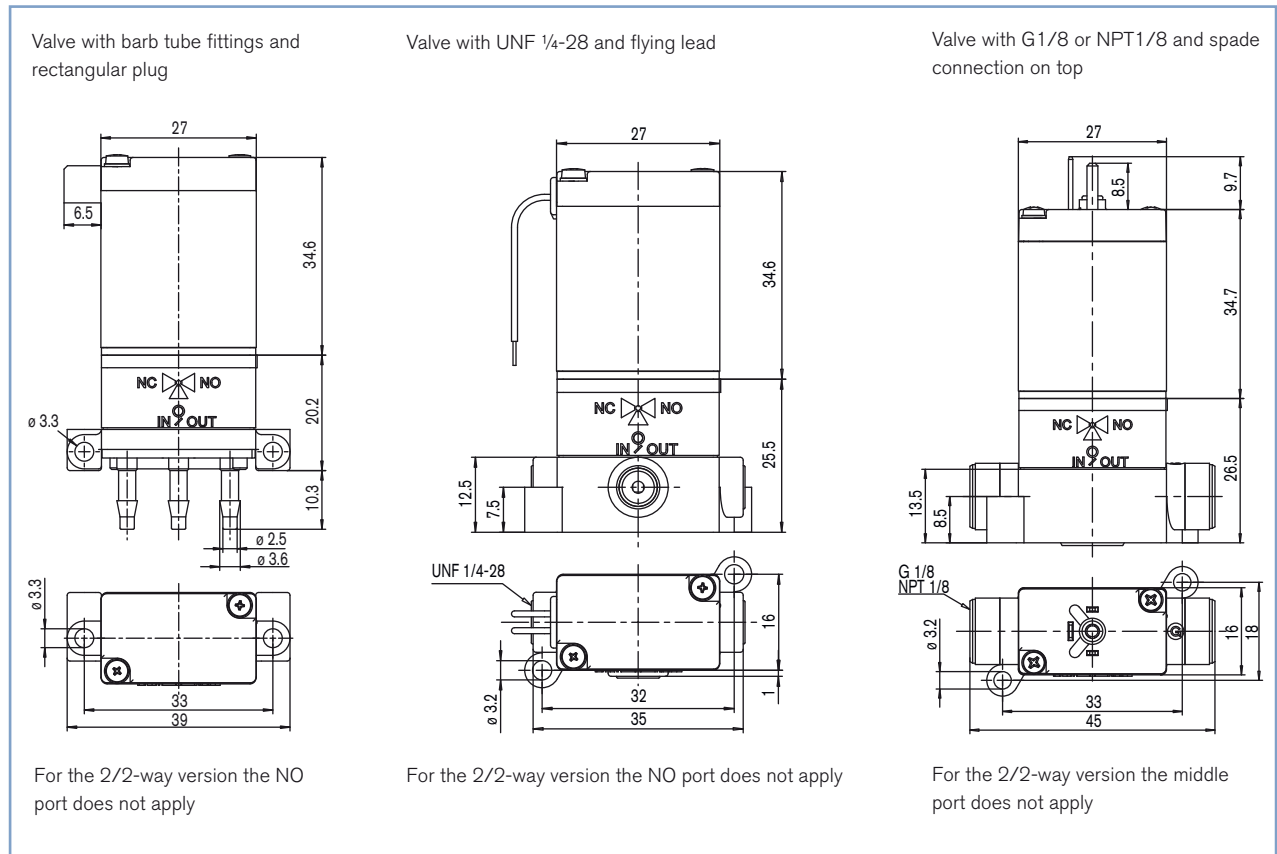
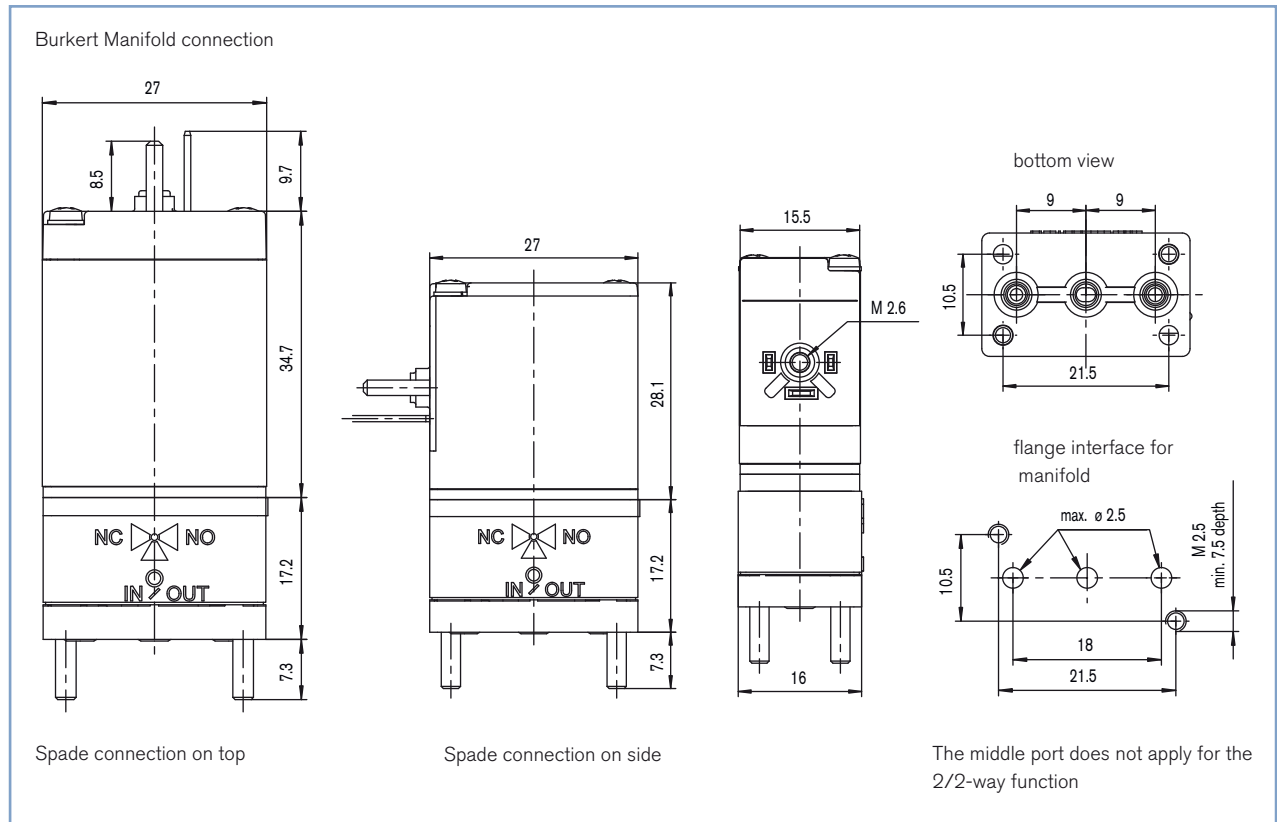
Ordering chart for Type 6606 (other versions on request)

All valves with FFKM seal material, spade connector version without cable plug (see accessories)

Circuit function	Port connection	Oorifice [mm]	Kv value water [m ³ /h] ¹⁾	Kv value water [l/min]	QNm value air [l/min]	Pressure range [bar] ²⁾	Body material	Electrical Connection	Voltage/Frequency [V/Hz]	Item No.
 2/2-way valve direct acting Normally closed	UNF 1/4-28	1.5	0.039	0.66	42	Vac- 2	ETFE	Flying leads, 500 mm	024/DC	137 759
	G 1/8	1.6	0.060	1.02	65	Vac- 2	PVDF	Rectangular plug	024/DC	139 146
	Tube connection	1.6	0.039	0.66	42	Vac- 2	PVDF	Flying leads , 500 mm	024/DC	137 764
								Rectangular plug	024/DC	139 147
								Flying leads , 500 mm	012/DC	137 744
									024/DC	137 745
Spade connector sidwards	024/DC	137 741								
 2/2-way valve direct acting Normally open	G 1/8	1.6	0.060	1.02	65	Vac- 2	PVDF	Spade connector sidwards	024/DC	137 747
	 3/2-way valve direct acting Universal functions	UNF 1/4-28	1.5	0.025	0.43	27	Vac- 2	ETFE	Flying leads, 500 mm	024/DC
G 1/8		1.6	0.047	0.80	51	Vac- 2	PVDF	Flying leads, 500 mm	024/DC	137 771
Tube connection		1.6	0.025	0.43	27	Vac- 2	PVDF	Rectangular plug	024/DC	139 149
								Spade connector sidwards	024/DC	137 769
								Flying leads , 500 mm	012/DC	137 782
								024/DC	137 783	
Sub-base		1.6	0.032	0.54	35	Vac- 2	PEEK	Rectangular plug	024/DC	139 150
								Spade connector sidwards	012/DC	137 781
	Flying leads , 500 mm							024/DC	137 768	
	024/DC							139 148		
Spade connector sidwards	012/DC	137 766								
Spade connector sidwards	024/DC	137 765								

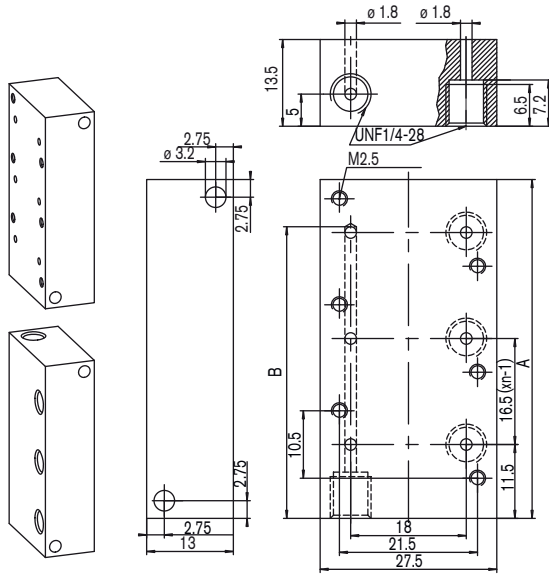
¹⁾ Measured at +20°C , 2 bar pressure at valve inlet and 1bar at outlet²⁾ Gauge pressure with respect to the prevailing atmosphere pressure

Dimensions [mm]



Dimensions of multiple manifolds [mm]

Standard divider/collector; one common inlet/outlet, individual outlets/inlets (all UNF 1/4-28), shipment without valves; Material PEEK



Ordering chart for Type 6606 manifolds


Stations	Dimension A [mm]	Item no.
2 valves	36.25	651 506
3 valves	52.75	651 510
4 valves	69.25	651 507
5 valves	85.75	651 508
6 valves	102.25	651 509
7 valves	118.75	651 521
8 valves	135.25	651 522


i Further versions on request

> Additional fittings and hoses (also see Type 1013-AA 05)

Ordering chart for accessory

Cable plug Type 2506 acc. to DIN EN 175301-803 Form C, with flat seal and fixing screw, without cable

	Cable plug Type 2506	Voltage	Item no.
	Standard without circuitry	0-250V/UC	008 353
	With LED	12-24V/DC	008 402
	With LED and varistor	12-24V/DC	008 408
	With rectifier, LED and varistor	12-24V/UC	008 354

	Rectangular cable plug Type 2505	Item no.
	With 3m cable	133 486
	With 300 mm flying leads	644 068
	With 2 single contacts	644 067