

2/2-way Solenoid Valve with servo diaphragm



Type 6212 can be combined with...



Type 2506

Cable plug



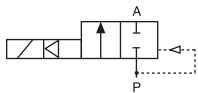
Type 2510

ASI cable plug

- Medium separation
- Waterhammer-free, low noise
- Low power consumption
- Stainless steel body for partially aggressive medium
- NC and NO circuit function

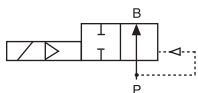
2/2-way solenoid valve with servo-diaphragm and 3-way pilot control with medium separation. Available in the circuit functions NC and NO. The medium separation in the pilot valve enables the valve to be used for slightly aggressive medium. (e.g. deionised water)

Circuit Function A



2/2-way flow valve, normally closed (NC), with 3 way rocker solenoid valve.

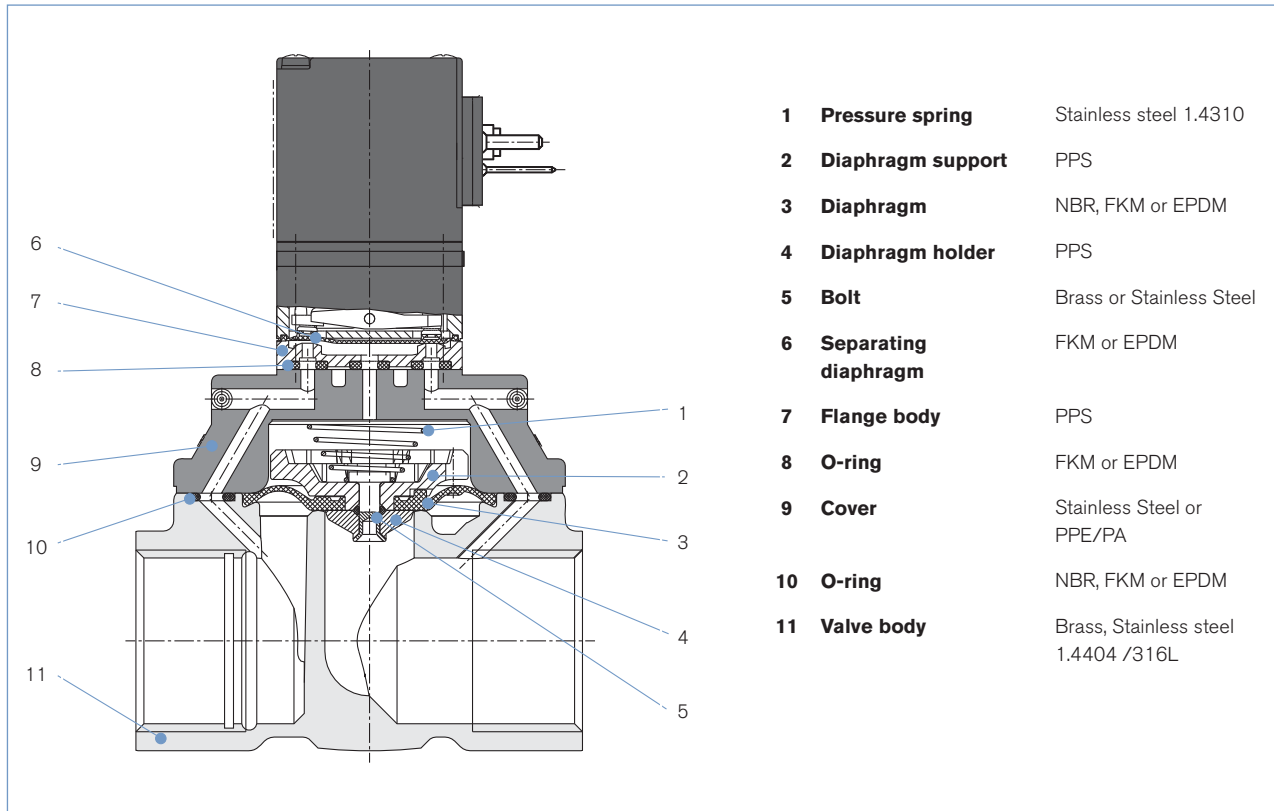
Circuit Function B



2/2-way flow valve, normally open (NO), with 3 way rocker solenoid valve.

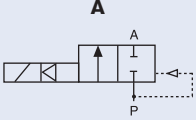
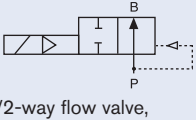
| Technical data | |
|---|--|
| Orifice | DN 10 - 20 mm |
| Body material | Brass or stainless steel 1.4404 |
| Body cover and internal part | PPE/PA Stainless steel 1.4404 |
| Pilot flange body | PPS |
| Seal material | NBR, EPDM, FKM |
| Medium | |
| NBR | Neutral medium, such as compressed air, water, hydraulic oil |
| EPDM | Oil and fat-free medium |
| FKM | Per-solutions, oil, fat, diluted acids |
| Medium temperature | |
| NBR | 0 to +50 °C |
| EPDM | -10 to +50 °C |
| FKM | 0 to +50 °C |
| Ambient temperature | Up to +55 °C |
| Operating voltage/ power consumption | 24 V/DC (3.4 W), for AC, use cable plug with rectifier; 110-120 V/UC (4 W), 230-240 V/UC (4 W) (on request) |
| Voltage tolerance | ±10 % |
| Duty cycle | 100% continuous rating (operating with 24V/DC) 40%, 20 min. intermittent duty (operating with 110-120 V/UC, 230-240 V/UC) |
| Electrical connection | |
| Tag connector acc. DIN EN 175301-803 C (previously DIN 43650) | Tag connector sideways at 24 V/DC Tag connector above at 110/230 V/UC (see dimensions page 4) |
| Cable plug | Types 2506 and 2510 (see Accessories) |
| Protection class | IP 65 with cable plug |
| Installation | As required, preferably with actuator upright |
| Response times | |
| Opening | 0.1 up to 0.5 s |
| Closing | 0.2 up to 2.2 s |

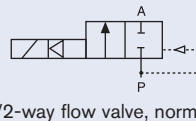
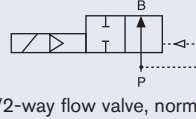
Materials



Ordering chart for valves (other versions on request)

Cable plug is not included in delivery. Please order separate. (see accessories)

| Circuit function | Pressure range [bar] | Orifice [mm] | Weight [kg] | Port connection | Kv-value water [m ³ /h] | Voltage/Frequency [V/Hz] | Item no. PPE/PA-Cover NBR-Seal | Item no. PPE/PA-Cover FKM-Seal | Item no. PPE/PA-Cover EPDM-Seal | | |
|--|----------------------|--------------|-------------|-----------------|------------------------------------|--------------------------|--------------------------------|--------------------------------|---------------------------------|---------|---------|
| Valves with brass body; cover material PPE/PA; different sealing materials | | | | | | | | | | | |
|  <p>2/2-way flow valve, normally closed</p> | 0.2 - 10 * | 10 | 0.31 | G 3/8 | 1.9 | 024/DC | 138 930 | 138 933 | 138 936 | | |
| | | | | G 1/2 | 1.9 | 024/DC | 138 943 | 138 946 | 138 949 | | |
| | | 13 | 0.44 | G 1/2 | 3.6 | 024/DC | 138 956 | 138 959 | 138 962 | | |
| | | | | | G 3/4 | 3.6 | 024/DC | 138 968 | 138 971 | 138 974 | |
| | | | | 20 | 0.85 | G 3/4 | 8.3 | 024/DC | 138 980 | 138 983 | 138 986 |
| | | | | | | G 1 | 8.3 | 024/DC | 138 992 | 138 995 | 138 998 |
|  <p>2/2-way flow valve, normally open</p> | 0.2 - 6 * | 10 | 0.31 | G 3/8 | 1.9 | 024/DC | 139 602 | 139 605 | 139 608 | | |
| | | | | G 1/2 | 1.9 | 024/DC | 139 612 | 139 615 | 139 618 | | |
| | | 13 | 0.44 | G 1/2 | 3.6 | 024/DC | 139 622 | 139 625 | 139 628 | | |
| | | | | | G 3/4 | 3.6 | 024/DC | 139 632 | 139 635 | 139 638 | |
| | | 20 | 0.85 | G 3/4 | 8.3 | 024/DC | 139 642 | 139 645 | 139 648 | | |
| | | | | | G 1 | 8.3 | 024/DC | 139 652 | 139 655 | 139 658 | |

| Circuit function | Pressure range [bar] | Orifice [mm] | Weight [kg] | Port connection | Kv-value water [m ³ /h] | Voltage/Frequency [V/Hz] | Item no. PPE/PA-Cover NBR-Seal | Item no. Stainless steel-Cover FKM-Seal | Item no. Stainless steel-Cover EPDM-Seal |
|--|----------------------|--------------|-------------|-----------------|------------------------------------|--------------------------|--------------------------------|---|--|
| Valves with Stainless steel body; different cover and sealing materials | | | | | | | | | |
|  <p>2/2-way flow valve, normally closed</p> | 0.2 - 10 * | 10 | 0.31 | G 3/8 | 1.9 | 024/DC | 140 693 | 139 578 | 140 669 |
| | | | | G 1/2 | 1.9 | 024/DC | 140 696 | 139 582 | 140 673 |
| | | 13 | 0.44 | G 1/2 | 3.6 | 024/DC | 140 699 | 139 586 | 140 677 |
| | | | | | G 3/4 | 3.6 | 024/DC | 140 702 | 139 590 |
| | | 20 | 0.85 | G 3/4 | 8.3 | 024/DC | 140 705 | 139 594 | 140 685 |
| | | | | | G 1 | 8.3 | 024/DC | 140 708 | 139 598 |
|  <p>2/2-way flow valve, normally open</p> | 0.2 - 6 * | 10 | 0.31 | G 3/8 | 1.9 | 024/DC | 140 735 | 139 662 | 140 711 |
| | | | | G 1/2 | 1.9 | 024/DC | 140 738 | 139 666 | 140 715 |
| | | 13 | 0.44 | G 1/2 | 3.6 | 024/DC | 140 741 | 139 670 | 140 719 |
| | | | | | G 3/4 | 3.6 | 024/DC | 140 744 | 139 674 |
| | | 20 | 0.85 | G 3/4 | 8.3 | 024/DC | 140 748 | 139 678 | 140 727 |
| | | | | | G 1 | 8.3 | 024/DC | 140 751 | 139 682 |

* A differential pressure of 0.5 bar is necessary to open to the full orifice.

On request 110-120 V and 230-240 V coils both with an integrated rectifier and a varistor. They are therefore suitable for use with both direct and alternating voltage. For this version, please use only the cable plug without electronics.

i Further versions on request



Voltages

Non standard voltages, 110-120 V, 230-240 V



Approvals

UR/ CSA approval

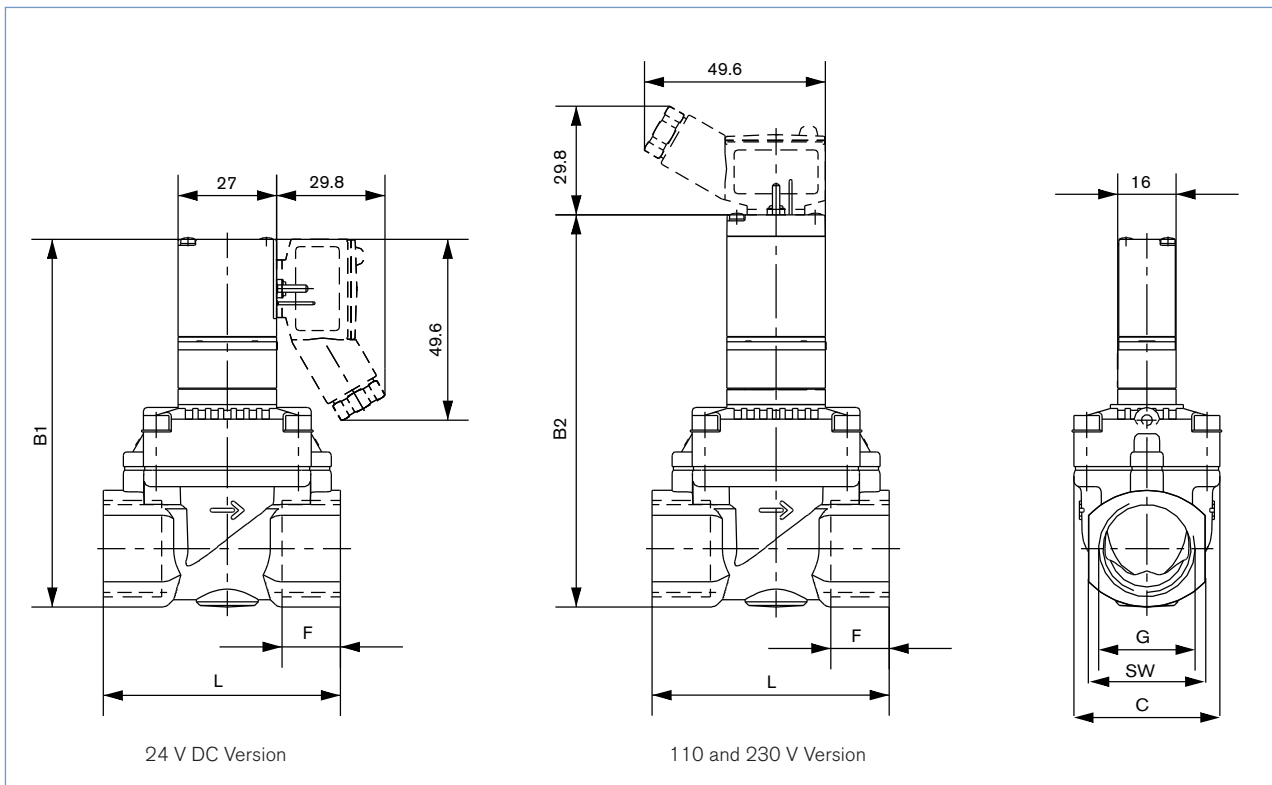
Ordering table for accessories - Connector acc. to DIN EN 175301-803 (previously DIN 43650) Form C

Included in delivery is a connector with flat seal and fixing screw. Further Versions with circuit protection, see datasheet Type 2506.

| Circuit | Voltage | Item no. Type 2506 |
|----------------------------------|-------------------------|-----------------------|
| without Circuit (standard) | 0 - 250 V DC | 008 353 |
| with LED | 12 - 24 V DC | 008 402 |
| with LED and varistor | 12 - 24 V DC | 008 408 |
| with rectifier, LED and varistor | 12 - 24 V AC/DC | 008 354 |
| further versions | see datasheet Type 2506 | |



Dimensions [mm]



| Tag conn. sideways | | | Tag conn. above | | | | |
|--------------------|-------|-------|-----------------|----|----|-----|----|
| DN | G | B1 | B2 | C | F | L | SW |
| 10 | G 3/8 | 94.5 | 101 | 32 | 12 | 55 | 27 |
| 10 | G 1/2 | 94.5 | 101 | 32 | 14 | 55 | 27 |
| 13 | G 1/2 | 100.0 | 106.5 | 40 | 14 | 65 | 32 |
| 13 | G 3/4 | 100.0 | 106.5 | 40 | 16 | 65 | 32 |
| 20 | G 3/4 | 114.5 | 121 | 60 | 16 | 100 | 41 |
| 20 | G 1 | 114.5 | 121 | 60 | 18 | 100 | 41 |