

3/2-way Miniature Rocker Solenoid Valve for pneumatic systems

- Direct-acting
- High cycling rate
- Reduced power consumption
- CNOMO and Bürkert flange interface
- ATEX Ex ia on request

Type 6106 can be combined with...



Type 2506

Cable plug



Type 2505

Rectangular
cable plug



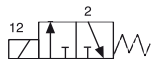
Manifolds

The direct-acting rocker solenoid valve type 6106 is especially designed for neutral gaseous mediums.

The heat input in the medium is minimal, because the housing is separated from the coil by a stainless steel plate.

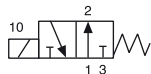
The valves can be mounted directly or also single or manifold mounted. They are used for dosing, filling, mixing and distributing small quantities of medium.

Circuit function C



3/2-way valve, direct acting,
normally closed 2 decreased

Circuit function D



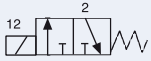

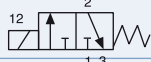

3/2-way valve, direct acting,
normally closed 2, pressurized

Technical data

Orifice	DN 0,9 and 1,2 mm, other on request
Body material	PA (polyamide)
Seal material	FKM
Media	Compressed air, neutral gases (5 µm filtering) technical vacuum
Media temperature	-10 to +55 °C
Ambient temperature	-10 to +55 °C
Port connection	Bürkert flange below, CNOMO flange sideways
Operating voltages	12V, 24V/DC, other voltages on request
Voltage tolerance	±10%
Power consumption	1 W and 2 W
Cycling rate	Approx. 1000/min
Duty cycle	100% continuous rating
Electrical connection	Tag connector sideways acc. to DIN EN 175301-803 (prev. DIN 43650) Form C for cable plug Type 2506, other on request
Protection class	IP 20 with tag connector, IP 65 with cable plug
Installation	As required, preferably with actuator upwards
Response times	acc. ISO 12238:2001; Measured at valve outlet at 6,3 bar and + 20°C
Opening	Approx. 25ms (pressure rise 0 to 10%)
Closing	Approx. 25ms (pressure rise 100% to 10%)

Ordering chart for valves (other versions on request)

All valves with manual override, tag connector sideways, mounting screws and flange seal, without cable plug

Circuit function	Port connection	Orifice [mm]	Q _{Nn} value air 1→2 [l/min]	Q _{Nn} value air 2→3 [l/min]	Pressure range [bar]	Power consumption [W]	Item no. per voltage/frequency [V/Hz]
							024/DC
C 3/2-way valve NC 	Bürkert	0.9	22	25	Vak.-8	1	126 417
	Bürkert	1.2	40	47	Vak.-10	2	126 411
D 3/2-way valve NO 	Bürkert	0.9	22	25	Vak.-8	1	126 421
	Bürkert	1.2	40	47	Vak.-10	2	126 419
C 3/2-way valve NC 	CNOMO	0.9	22	25	Vak.-8	1	126 418
	CNOMO	1.2	33	38	Vak.-10	2	126 414
D 3/2-way valve NO 	CNOMO	0.9	22	25	Vak.-8	1	126 422
	CNOMO	1.2	33	38	Vak.-10	2	126 420

Note: For alternating current, use a cable plug with a suitable rectifier.

Please note that the cable plug has to be ordered separately, see datasheet for Type 2506.

i Weitere Ausführungen auf Anfrage



Port connection

Flange, Cnomo, plug-in coupling, tube body



Electrical connections

Industrial plug C, Bürkert Rectangular plug, Circular connector M8; flying leads

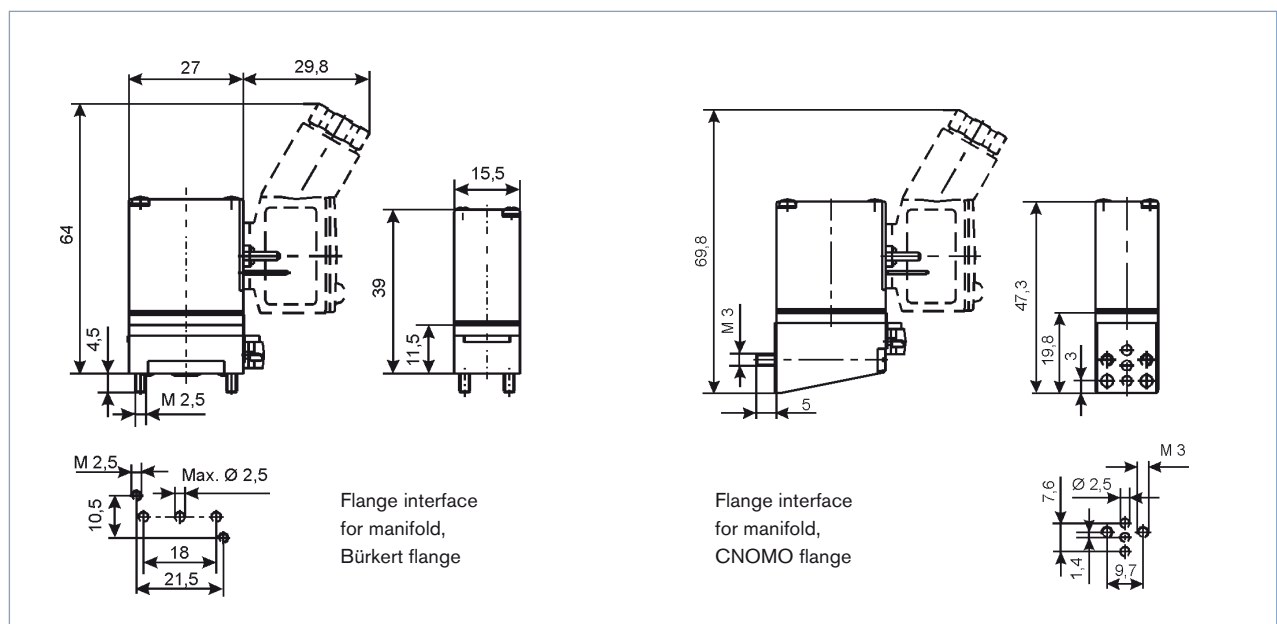


Approvals

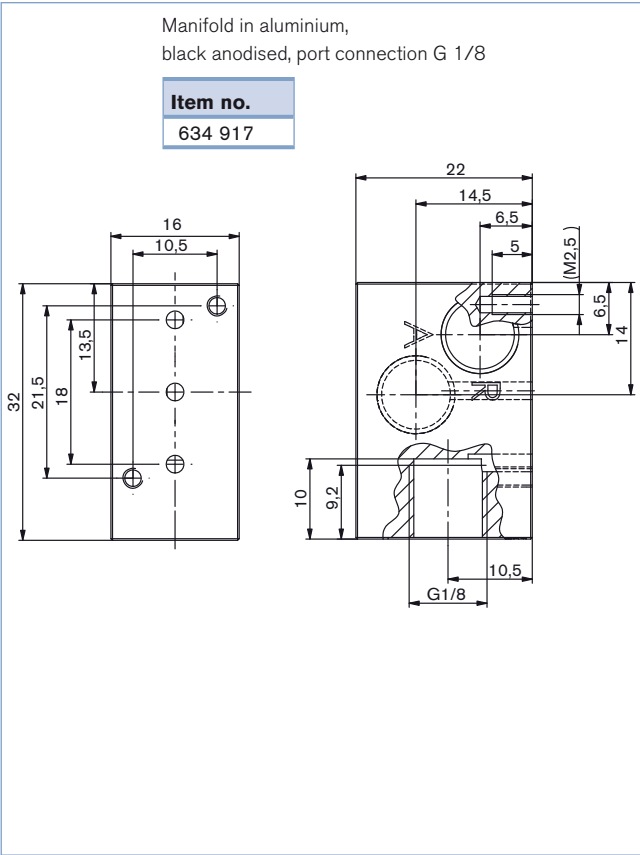
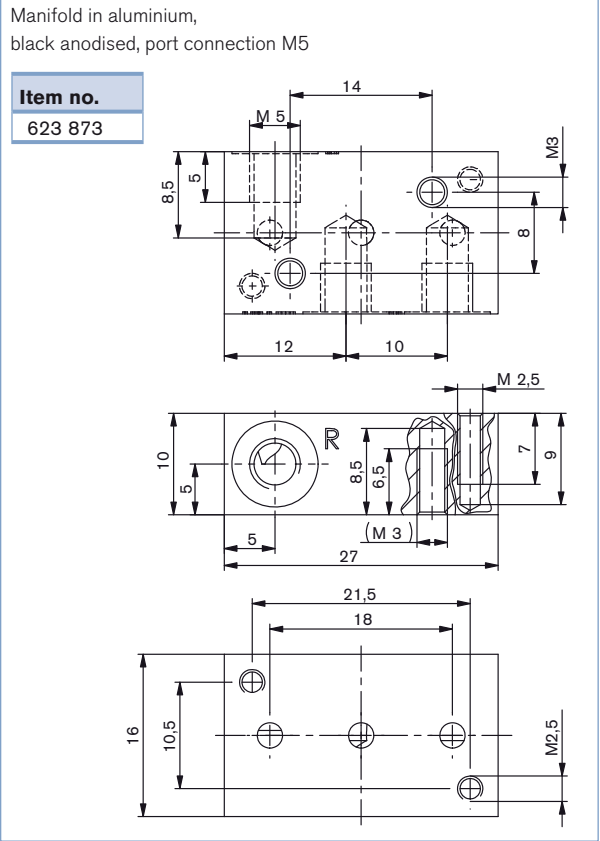
ATEX EEX I, UL / CSA

Note: Also available as an option without manual override.

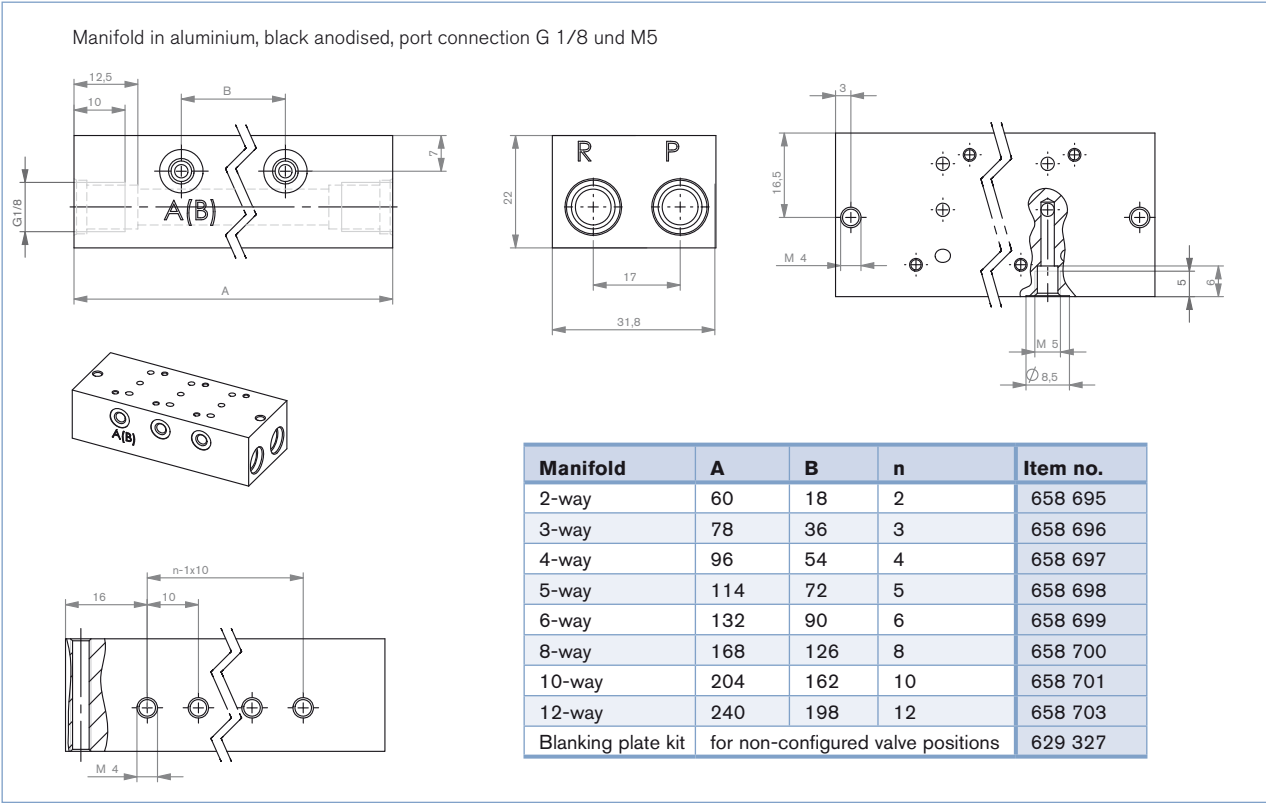
Dimensions [mm]



Single manifolds for Bürkert flange [mm]



Multiple manifolds for Bürkert flange 3-way [mm]



Single manifolds for CNOMO flange [mm]

Manifold for CNOMO flange, black anodised, port connection M5

Item no.
639 885

Mounting kit, complete for standard rail TS35 x 7,5 mm

Item no.
629 254


Multiple manifolds CNOMO flange 3-way

Manifold in aluminium, black anodised, port connection G 1/8 and M5



Manifold	L	Item no.
2-way	33	639 887
3-way	49.5	639 862
4-way	66	639 863
5-way	82.5	639 864
6-way	99	639 865
8-way	132	639 866
10-way	165	639 867
12-way	198	639 868
Blanking plate kit	for non-configured valve positions	639 695

Ordering chart for accessories

Cable plug type 2506 acc. DIN EN 175301-803 form C, with flat seal and mounting screw, without cable

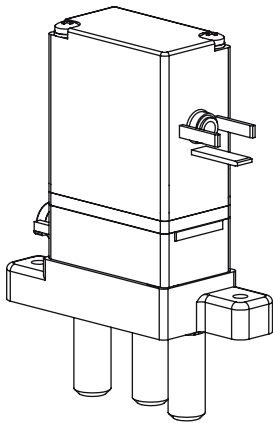
	Cable plug type 2506	Voltage	Item no.
	without circuitry	0-250V/AC+DC	008 353
	with LED	12-24V/DC	008 402
	with LED and varistor	12-24V/DC	008 408
	with rectifier, LED and varistor	12-24V/AC+DC	008 354

Cable plug type 2505

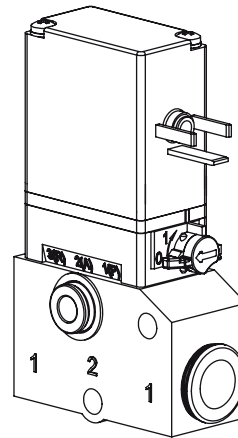
	Type 2505 cable version	Item no.
	with 3m cable	133 486
	with 5m cable	167 494
	Type 2505 flying leads version	Item no.
	with 300mm flying leads	644 068
	with 600mm flying leads	162 144

Application examples

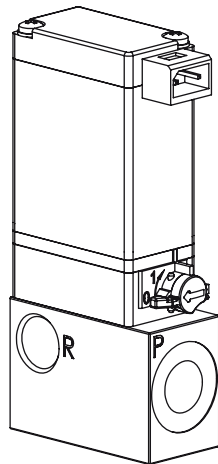
Plug type C device with tube spigot



Plug type C device with tube coupling



Rectangular plug device with G1/8 manifold



Flying leads with M5 manifold

