

6027 2/2-way



Type 6027 Compact can be combined with...

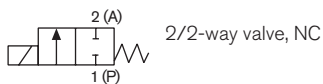


Type 2508

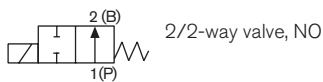
Cable plug

Type 6027 is a direct-acting solenoid valve used for shut-off, dosing, filling, and ventilation. The push-over solenoid system is of modular design and the coil can be rotated 360°.

Circuit function A



Circuit function B



2/2-way Solenoid Valve, G 1/4 - G 1/2

- Direct acting valve up to max. DN 12
- Push-over coil system
- High pressure version up to 250 bar
- High temperature version up to +140 °C

Technical data			
Port connection	G 1/4, G 3/8, G 1/2 (RC on request)		
Orifice	DN 1.0 - 12.0		
Body material	Brass or stainless steel 1.4404 (316L)		
Coil material	Epoxy		
Coil insulation class	Epoxy class H		
Seal material	FKM, PTFE / FKM and PTFE / PEEK for high temperatures (EPDM on request)		
Medium	Vacuum, neutral gases and liquids (e.g. compressed air, town gas, natural gas, water, hydraulic oil, petrol) and slightly aggressive medium Hot liquids and steam		
Seal material combination and medium temperature			
Seat seal/external seal			
Circuit function Normally Closed (NC)	Circuit function Normally Open (NO)		
FKM/FKM	-10 to +140°C	FKM/FKM	-10 to +100°C
PEEK/FKM	-10 to +80°C	PEEK/FKM	-10 to +80°C
PTFE/PEEK	-40 to +140°C	PTFE/PEEK	-40 to +100°C
NBR/NBR	-10 to +80°C		
Voltage tolerance	±10%		
Duty cycle / single valve	100% continuous rating		
Electrical connection	acc. to DIN EN 175301-803 Form A for cable plug Type 2508 (see accessories ordering chart)		
Protection class	IP65 with Cable Plug		
Installation	As required, preferably with actuator upright		

Power ratings				
Orifice [mm]	Power ratings			DC (hot/cold coil) [W]
	Inrush AC [VA]	Hold AC (hot coil) [VA] [W]		
1.0 -12.0	105	37	16	16 / 21

Response times				
Orifice [mm]	Response times AC		Response times DC	
	Opening [ms]	Closing [ms]	Opening [ms]	Closing [ms]
1.0 -12.0	10-30	20-30	20-80	20-30

Response times [ms]:


Measured at valve outlet at 6 bar and +20 °C

Opening: pressure build-up 0 to 90%, closing: pressure relief 100 to 10%


6027 2/2-way

Ordering chart for valves, brass

G internal thread

Brass body material, medium pressure up to 30 bar, G internal thread															
Circuit function	Port connection	Orifice	Kv-value water (m ³ /h)	Max. medium pressure (bar)						Seal material		Item No.			
				water		oil		air		FKM/FKM Standard	PTFE/PEEK possible option	24V DC	24V 50Hz	230V 50Hz	
				DC	AC	DC	AC	DC	AC						
 42 mm	G1/4	3.0	0.28	0-30	0-25	0-30	0-25	0-30	0-25	x	A	178 295	178 296	178 297	
		4.0	0.54	0-12	0-16	0-12	0-16	0-12	0-16	x	A	178 299	178 300	178 301	
		5.0	0.73	0-6	0-10	0-6	0-10	0-6	0-10	x	A	178 303	178 304	178 305	
		6.0	0.95	0-3	0-6	0-3	0-6	0-3	0-6	x	A	178 307	178 308	178 309	
		G3/8	3.0	0.28	0-30	0-25	0-30	0-25	0-30	0-25	x	A	178 311	178 312	178 313
			4.0	0.54	0-12	0-16	0-12	0-16	0-12	0-16	x	A	178 315	178 316	178 317
	G1/2	5.0	0.73	0-6	0-10	0-6	0-10	0-6	0-10	x	A	178 319	178 320	178 320	
		6.0	0.95	0-3	0-6	0-3	0-6	0-3	0-6	x	A	178 323	178 324	178 325	
		8.0	1.6	0-1	0-3	0-1	0-3	0-1	0-3	x	A	178 327	178 328	178 329	
		G1/2	6.0	0.95	0-3	0-6	0-3	0-6	0-3	0-6	x	A	178 331	178 332	178 333
			8.0	1.6	0-1	0-3	0-1	0-3	0-1	0-3	x	A	178 335	178 336	178 337
		10.0	1.8	0-0.4	0-2	0-0.4	0-2	0-0.4	0-2	x	A	178 339	178 340	178 341	
NO	G1/4	3.0	0.28	0-16	0-16	0-16	0-16	0-16	0-16	x	A	211 914	228 487	228 488	
		4.0	0.54	0-10	0-10	0-10	0-10	0-10	0-10	x	A	208 623	228 489	228 490	
		6.0	0.95	0-6	0-6	0-6	0-6	0-6	0-6	x	A	211 915	A	227 530	
	G1/2	8.0	1.6	0-3	0-3	0-3	0-3	0-3	0-3	x	A	211 916	228 503	228 504	
		10.0	1.8	0-2	0-2	0-2	0-2	0-2	0-2	x	A	210 436	219 530	210 438	


NPT internal thread

Brass body material, medium pressure up to 30 bar, NPT internal thread															
Circuit function	Port connection	Orifice	Kv-value water (m ³ /h)	Max. medium pressure (bar)						Seal material		Item No.			
				water		oil		air		FKM/FKM Standard	PTFE/PEEK possible option	24V DC	24V 50Hz	230V 50Hz	
				DC	AC	DC	AC	DC	AC						
 42 mm	NPT1/4	3.0	0.28	0-30	0-25	0-30	0-25	0-30	0-25	x	A	463 120	A	A	
		4.0	0.54	0-12	0-16	0-12	0-16	0-12	0-16	x	A	463 122	A	A	
		5.0	0.73	0-6	0-10	0-6	0-10	0-6	0-10	x	A	463 124	A	A	
		6.0	0.95	0-3	0-6	0-3	0-6	0-3	0-6	x	A	463 126	A	A	
		NPT3/8	3.0	0.28	0-30	0-25	0-30	0-25	0-30	0-25	x	A	A	A	A
			4.0	0.54	0-12	0-16	0-12	0-16	0-12	0-16	x	A	463 130	A	A
	NPT1/2	5.0	0.73	0-6	0-10	0-6	0-10	0-6	0-10	x	A	463 132	A	A	
		6.0	0.95	0-3	0-6	0-3	0-6	0-3	0-6	x	A	463 134	A	A	
		8.0	1.6	0-1	0-3	0-1	0-3	0-1	0-3	x	A	463 136	A	A	
		NPT1/2	6.0	0.95	0-3	0-6	0-3	0-6	0-3	0-6	x	A	463 138	A	A
			8.0	1.6	0-1	0-3	0-1	0-3	0-1	0-3	x	A	463 140	A	A
		10.0	1.8	0-0.4	0-2	0-0.4	0-2	0-0.4	0-2	x	A	463 142	A	A	
NO	NPT1/4	3.0	0.28	0-16	0-16	0-16	0-16	0-16	0-16	x	A	A	A	A	
		4.0	0.54	0-10	0-10	0-10	0-10	0-10	0-10	x	A	A	A	A	
		6.0	0.95	0-6	0-6	0-6	0-6	0-6	0-6	x	A	A	A	A	
	NPT1/2	8.0	1.6	0-3	0-3	0-3	0-3	0-3	0-3	x	A	A	A	A	
		10.0	1.8	0-2	0-2	0-2	0-2	0-2	0-2	x	A	A	A	A	


6027 2/2-way

Ordering chart for valves, stainless steel

G internal thread

Stainless steel body material, medium pressure up to 30 bar, G internal thread															
Circuit function	Port connection	Orifice	Kv-value water (m ³ /h)	Max. medium pressure (bar)						Seal material		Item No.			
				water		oil		air		FKM/FKM Standard	PTFE/PEEK possible option	24V DC	24V 50Hz	230V 50Hz	
				DC	AC	DC	AC	DC	AC						
 NC	G1/4	3.0	0.28	0-30	0-25	0-30	0-25	0-30	0-25	x	A	178 239	178 240	178 241	
		4.0	0.54	0-12	0-16	0-12	0-16	0-12	0-16	x	A	178 243	178 244	178 245	
		5.0	0.73	0-6	0-10	0-6	0-10	0-6	0-10	x	A	178 247	178 248	178 249	
		6.0	0.95	0-3	0-6	0-3	0-6	0-3	0-6	x	A	178 251	178252	178 253	
	G3/8	3.0	0.28	0-30	0-25	0-30	0-25	0-30	0-25	x	A	178 255	178 256	178 257	
		4.0	0.54	0-12	0-16	0-12	0-16	0-12	0-16	x	A	178 259	178 260	178 261	
		5.0	0.73	0-6	0-10	0-6	0-10	0-6	0-10	x	A	178 263	178 264	178 265	
		6.0	0.95	0-3	0-6	0-3	0-6	0-3	0-6	x	A	178 267	178 268	178 269	
		8.0	1.6	0-1	0-3	0-1	0-3	0-1	0-3	x	A	178 271	178 272	178 273	
		G1/2	6.0	0.95	0-3	0-6	0-3	0-6	0-3	0-6	x	A	178 275	178 276	178 277
			8.0	1.6	0-1	0-3	0-1	0-3	0-1	0-3	x	A	178 278	178 280	178 281
			10.0	1.8	0-0.4	0-2	0-0.4	0-2	0-0.4	0-2	x	A	178 283	178 284	178 285
	12.0		2	0-0.2	0-1.2	0-0.2	0-1.2	0-0.2	0-1.2	x	A	178 287	178 288	178 289	
	NO	G1/4	3.0	0.28	0-16	0-16	0-16	0-16	0-16	0-16	x	A	230 243	230 244	230 245
			4.0	0.54	0-10	0-10	0-10	0-10	0-10	0-10	x	A	230 246	230 247	230 248
			6.0	0.95	0-6	0-6	0-6	0-6	0-6	0-6	x	A	230 255	230 256	230 257
G1/2		8.0	1.6	0-3	0-3	0-3	0-3	0-3	0-3	x	A	230 261	230 262	230 263	
		10.0	1.8	0-2	0-2	0-2	0-2	0-2	0-2	x	A	225 248	230 264	230 265	

NPT internal thread

Stainless steel body material, medium pressure up to 30 bar, NPT internal thread															
Circuit function	Port connection	Orifice	Kv-value water (m ³ /h)	Max. medium pressure (bar)						Seal material		Item No.			
				water		oil		air		FKM/FKM Standard	PTFE/PEEK possible option	24V DC	24V 50Hz	230V 50Hz	
				DC	AC	DC	AC	DC	AC						
 NC	NPT1/4	3.0	0.28	0-30	0-25	0-30	0-25	0-30	0-25	x	A	A	A	A	
		4.0	0.54	0-12	0-16	0-12	0-16	0-12	0-16	x	A	A	A	A	
		5.0	0.73	0-6	0-10	0-6	0-10	0-6	0-10	x	A	A	A	A	
		6.0	0.95	0-3	0-6	0-3	0-6	0-3	0-6	x	A	A	A	A	
	NPT3/8	3.0	0.28	0-30	0-25	0-30	0-25	0-30	0-25	x	A	A	A	A	
		4.0	0.54	0-12	0-16	0-12	0-16	0-12	0-16	x	A	A	A	A	
		5.0	0.73	0-6	0-10	0-6	0-10	0-6	0-10	x	A	A	A	A	
		6.0	0.95	0-3	0-6	0-3	0-6	0-3	0-6	x	A	A	A	A	
		8.0	1.6	0-1	0-3	0-1	0-3	0-1	0-3	x	A	A	A	A	
		NPT1/2	6.0	0.95	0-3	0-6	0-3	0-6	0-3	0-6	x	A	A	A	A
			8.0	1.6	0-1	0-3	0-1	0-3	0-1	0-3	x	A	A	A	A
			10.0	1.8	0-0.4	0-2	0-0.4	0-2	0-0.4	0-2	x	A	A	A	A
	12.0		2	0-0.2	0-1.2	0-0.2	0-1.2	0-0.2	0-1.2	x	A	A	A	A	
	NO	NPT1/4	3.0	0.28	0-16	0-16	0-16	0-16	0-16	0-16	x	A	A	A	A
			4.0	0.54	0-10	0-10	0-10	0-10	0-10	0-10	x	A	A	A	A
			6.0	0.95	0-6	0-6	0-6	0-6	0-6	0-6	x	A	A	A	A
NPT1/2		8.0	1.6	0-3	0-3	0-3	0-3	0-3	0-3	x	A	A	A	A	
		10.0	1.8	0-2	0-2	0-2	0-2	0-2	0-2	x	A	A	A	A	

Ordering chart for valves

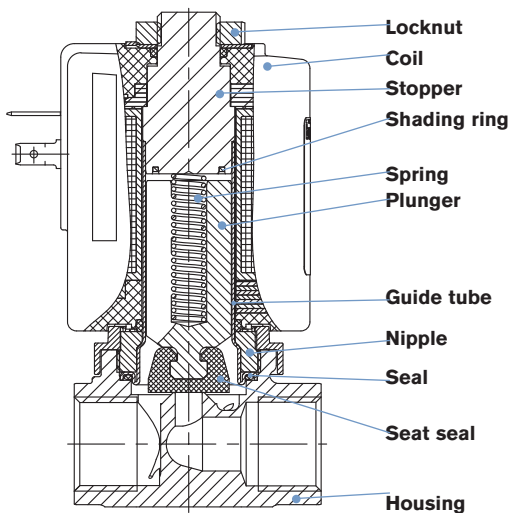
Approved models for gas applications DIN EN 161, automatic shut-off valves for gas burners up to 5 bar, valve class A

Circuit function	Port connection	Orifice	Kv-value water (m ³ /h)	Max. medium pressure		Body material	Seal material NBR Standard	Item No.	
				Gas				24V DC	230V 50Hz
				DC	AC				
NC	G1/4	4.0	0.54	0-5	0-5	Br	x	A	A
	G1/4	5.0	0.73	0-5	0-5	Br	x	A	A
	G1/4	6.0	0.95	0-3	0-5	Br	x	271 196	271 427
	G3/8	8.0	1.6	0-1	0-3	Br	x	271 197	271 428
	G3/8	10.0	1.8	0-0.4	0-2	Br	x	271 198	271 429
	G1/2	12.0	2	0-0.2	0-1.2	St. st.	x	271 199	271 430

Approved models for gas applications DIN 3394-1 actuators for backing up and cleaning as well as regulating pressures of 4 to 16 bar, valve class B, valve group 2

Circuit function	Port connection	Orifice	Kv-value water (m ³ /h)	Max. medium pressure		Body material	Seal material NBR Standard	Item No.	
				Gas				24V DC	230V 50Hz
				DC	AC				
3NC	G1/4	3.0	0.28	0-30	0-25	Br	x	258 288	A
	G1/4	4.0	0.54	0-12	0-16	Br	x	253 500	A
	G1/4	5.0	0.73	0-6	0-10	Br	x	A	A
	G1/4	6.0	0.95	0-3	0-5	Br	x	A	A
	G3/8	8.0	1.6	0-1	0-3	Br	x	A	A
	G3/8	10.0	1.8	0-0.4	0-2	Br	x	A	260 041
	G1/2	12.0	2	0-0.2	0-1.2	St. st.	x	258 289	A

Version up to 16 bar
Circuit function A (NC)



- Locknut: DIN 176 thick-film passivated or stainless steel
- Coil: Epoxy
- Stopper: Stainless steel 1.4113
- Shading ring: Copper (brass body), silver (stainless steel body)
- Spring: Stainless steel 1.4310
- Plunger: Stainless steel 1.4113
- Guide tube: Stainless steel 1.4303
- Nipple: Brass, stainless steel 1.4305
- Seal: NBR
- Seat seal: NBR
- Housing: Brass, stainless steel 1.4404 /316L

Ordering chart for valves

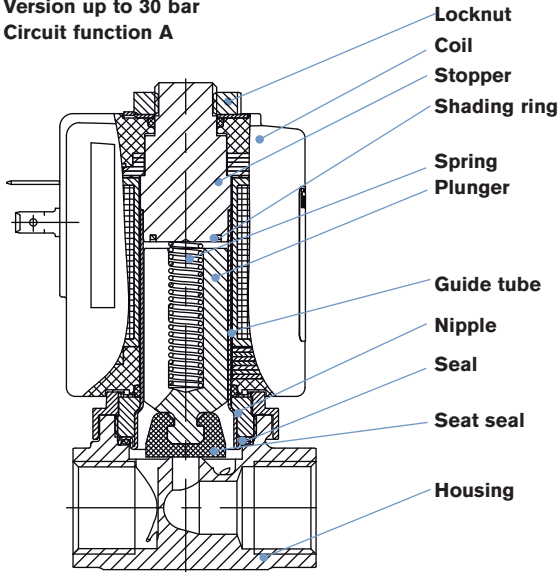
Order code MX 30 high pressure version with pendulum seal														
Brass and stainless steel body material, medium pressure up to 135 bar, G internal thread cable plug included in delivery														
Circuit function	Port connection	Orifice	Kv-value water (m ³ /h)	max. medium pressure (bar)						Seal material		Item No.		
				water		oil		Air		PTFE/FKM Standard	PTFE/PEEK Standard	24V DC	24V 50Hz	230V 50Hz
				DC	AC	DC	AC	DC	AC					
Brass body														
NC	G1/4	2.0		0-80	0-75	0-80	0-75	0-80	0-75	x	A	184 667	A	184 668
		4.0		0-20	0-30	0-20	0-30	0-20	0-50	x	A	184 670	A	184 671
Stainless steel body														
NC	G1/4	1.5		0-135	0-135	0-135	0-135	0-135	0-135	x	A	215 024	215 028	203 855
		2.0		0-100	0-75	0-100	0-75	0-100	0-75	x	A	271 439	205 407	271 440
		4.0		0-20	0-30	0-20	0-30	0-20	0-50	x	A	A	A	A

Order code MX 31 high pressure version with ball seal															
Stainless steel body material, medium pressure up to 250 bar, G internal thread cable plug included in delivery															
Circuit function	Port connection	Orifice	Kv-value water (m ³ /h)	max. medium pressure (bar)						Seal material	Item No.				
				Viscosity 1mm ² /s		Viscosity 21mm ² /s		Air			PEEK/FKM Standard	24V DC	24V 50-60Hz	230V 50-60 Hz	
				DC	AC	DC	AC	DC	AC						
Stainless steel body															
NC	G1/4	1.0		0-250	0-250	0-250	0-250	0-250	0-250	0-250	x	265 507	(-)	267 229	
						0-200	0-200			x	(-)	267 226	(-)		
		1.5		0-150	0-150	0-80	0-80	0-150	0-150			x	267 217	(-)	267 237
							0-70	0-70			x	(-)	267 234	(-)	
NO	G1/4	1.0		0-200	0-200	0-150	0-150	0-250	0-250	x	269 823	A	267 239		
		1.5		0-100	0-100	0-80	0-80	0-130	0-130	x	269 824	A	271 269		

6027 2/2-way

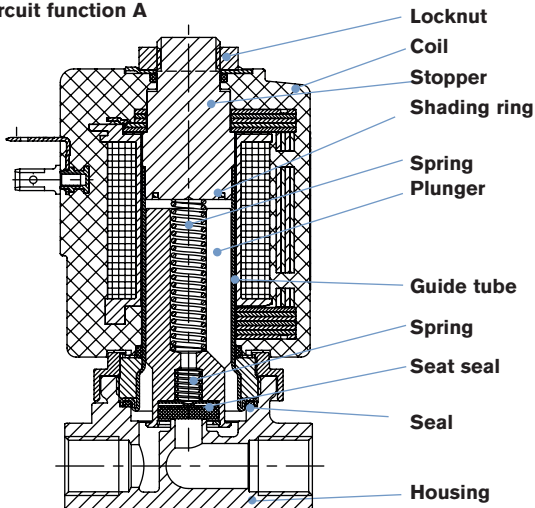
Materials

Version up to 30 bar Circuit function A



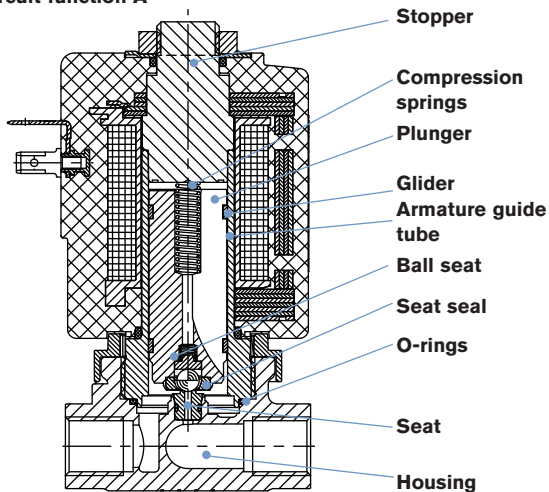
Locknut	DIN 176 thick-film passivated or stainless steel
Coil	Epoxy
Stopper	Stainless steel 1.4113
Shading ring	Copper (brass body), silver (stainless steel body)
Spring	Stainless steel 1.4310
Plunger	Stainless steel 1.4113
Guide tube	Stainless steel 1.4303
Nipple	Brass, stainless steel 1.4305
Seal	FKM, PEEK (EPDM on request)
Seat seal	FKM, PTFE (EPDM on request)
Housing	Brass, stainless steel 1.4404 /316L

Version up to 135 bar Circuit function A



Locknut	DIN 176 thick-film passivated or stainless steel
Coil	Epoxy
Stopper	Stainless steel 1.4113
Shading ring	Silver (stainless steel body)
Spring	Stainless steel 1.4310
Plunger	Stainless steel 1.4113
Guide tube	Stainless steel 1.4303
Spring	1.4310
Seat seal	PTFE pendulum seal
Seal	FKM
Housing	Brass, stainless steel 1.4404 /316L

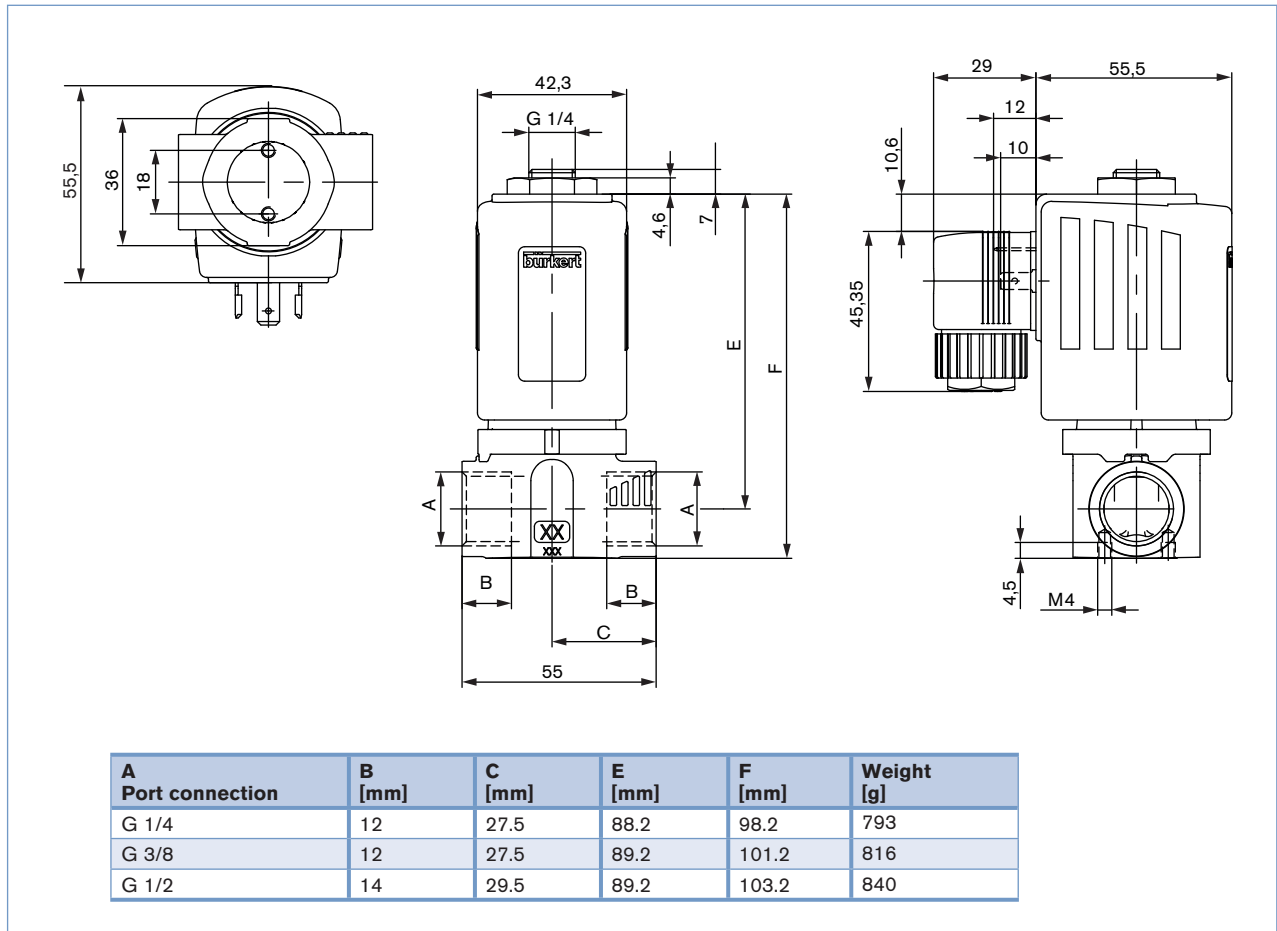
• High pressure version from 135 bar Circuit function A



Stopper	1.4523
Compression springs	1.4310
Plunger	Stainless steel 1.4113
Glider	PTFE
Armature guide tube	1.4571
Ball seat	1.4305
Seat seal	Ceramic ball
O-rings	FKM
Seat	PEEK
Housing	Stainless steel 1.4404 (316L) only in 1/4" G and NPT


6027 2/2-way

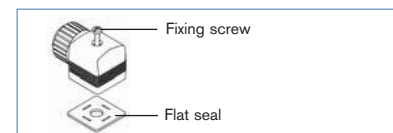
Dimensions [mm]



Ordering chart for accessories

Cable plug Type 2508 according to DIN EN 175301-803 Form A

	Circuitry	Voltage/ Frequency	Item No.
	without (Standard)	0 - 250 V AC/DC	008 376
	with LED	12 - 24 V AC/DC	008 360
	with LED and varistor	12 - 24 V AC/DC	008 367
	with rectifier, LED and varistor	12 - 24 V AC/DC	008 363
	with LED	200 - 240 V	008 362
	with LED and varistor	200 - 240 V	008 369
	further versions see datasheet Type 2508		



The delivery of a cable plug includes the flat seal and the fixing screw. For other cable plug versions according to DIN EN 175301-803 (previously DIN 43650) Form A, see separate datasheet for Type 2508. When you click on the orange box "More info." below, you will come to our website for the resp. product where you can download the datasheet.

**Mehr
Infos**