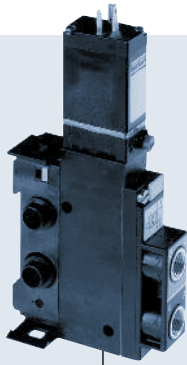
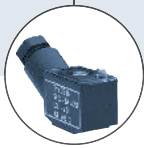


3/2 and 4/2-way Solenoid Valve for pneumatic systems



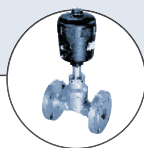
- Compact design in 3/2 and 4/2-way versions
- Extendable valve block
- Reduced power consumption
- Different pneumatic connections available
- Robust

Type 5470-R can be combined with ...



Type 2506

Cable plug



Type 2012

Single-seat globe valve



Type 0044

Pneumatic cylinder

Valves of type 5470 consist of a type 6104 pilot rocker solenoid valve and a pneumatic valve.

An armature with a tilting bearing, similar to a rocker, tilts within the body of the pilot valve, and switches the valve. The minimal tilting movement of the rocker is non-wearing, and basic lubrication is unnecessary.

The type 5470 R is available as a 3/2 and 4/2-way valve. The valves can be mounted together individually using the module flange. In various applications, they can be used advantageously as valve blocks. Different variants are available for service ports 2 and 4.

Power consumption

corresponds to the effective coil power in the ordering chart.

Technical data	
Orifice	DN 4.0 mm
Body material	polyamide (PA)
Valve internal	ultramide
Seal material	NBR
Media	Compressed air, neutral gases (5 µm filtering)
Media temperature	-10 ... +50 °C
Ambient temperature	-10 ... +55 °C
Supply connections 1 and 3	Module flange
Service port 2 and 4 (options)	Threaded port G 1/8 Threaded port NPT 1/8 Tube connection SL 6/4 mm Push-in connection Ø 6 mm
Operating voltage	24 V DC, 110 - 120 V DC, 220 - 240 V DC, (In the case of a.c. voltage, use the valves with a UC coil.)
Voltage tolerance	±10 %
Duty cycle	100 % continuous operation
Electrical connection	Tag connector above acc. to DIN 43 650 Form C, for cable plug type 2506 and type 1057 rectangular plug (5.08 mm)
Type of protection	EEx ia IIC T6 on request
Protection class	IP 65 (with cable plug) IP 20 (at type 1057) and IP 40 (at rectangular plug 5.08 mm)
Installation	as required, preferably with actuator upright

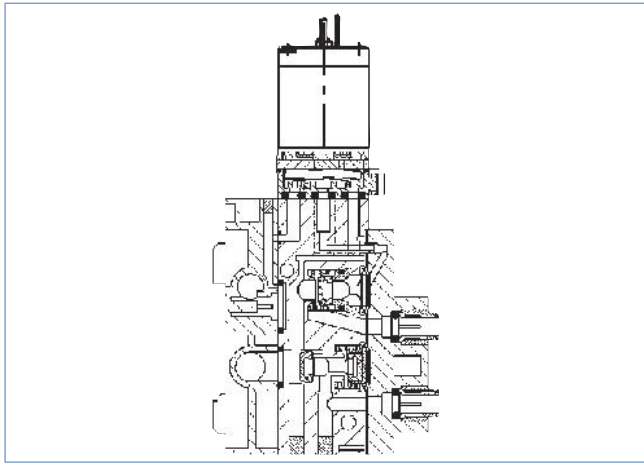
Response times

Orifice [mm]	Q _{Nn} value air [l/min]	Pressure range [bar] ¹⁾	Effective coil power [W] ²⁾	Response times				Weight [g]
				DC		AC		
				Opening [ms]	Closing [ms]	Opening [ms]	Closing [ms]	
4.0	300	2 - 10	2	15	12	15	20	ca. 120
4.0	300	2 - 10	3	15	12	15	20	ca. 120

¹⁾ Pressure data [bar]: Overpressure with respect to atmospheric pressure
²⁾ Magnetic coils with integrated rectifier, LED and varistor (UC-model)

- Q_{Nn} value [l/min]: Flow rate value for air, Measured at +20 °C and 6 bar pressure at the valve inlet port and 1 bar pressure differential
- Switching times [ms]: Measured at the valve outlet port acc. to ISO 12238.

Structure



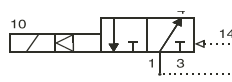
Circuit function of valve

Circuit function C



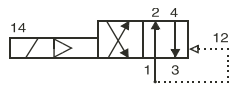
3/2-way valve
servo-assisted, Port 4 exhausted in
de-energized position

Circuit function D

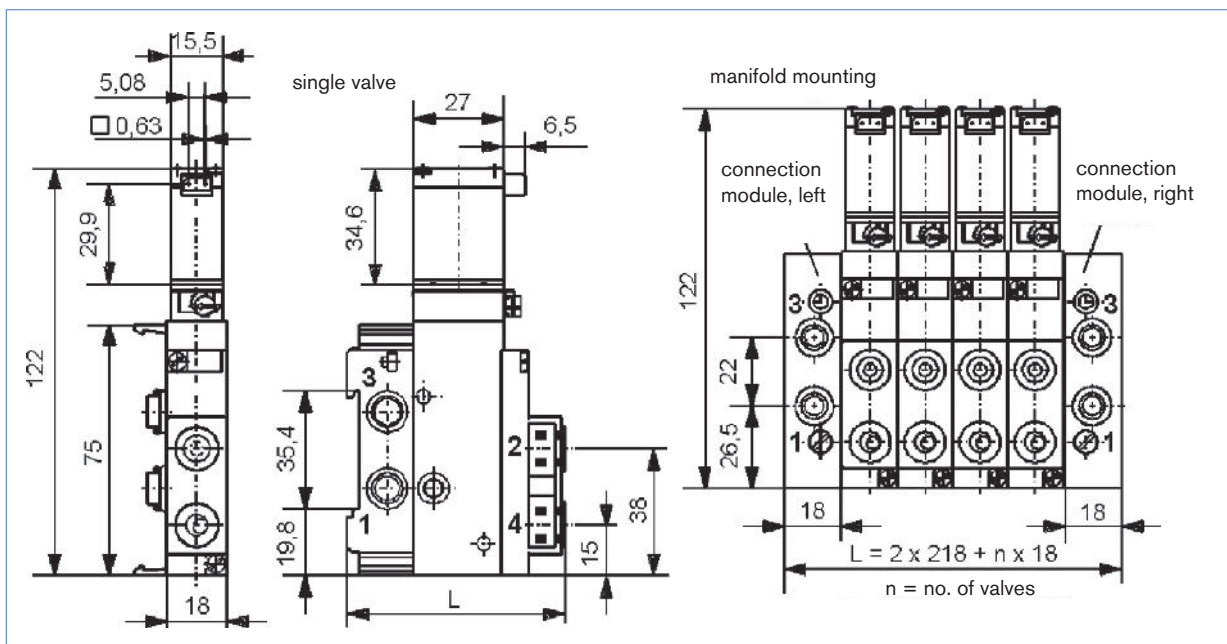


3/2-way valve
servo-assisted, Port 4 pressurized in
de-energized position

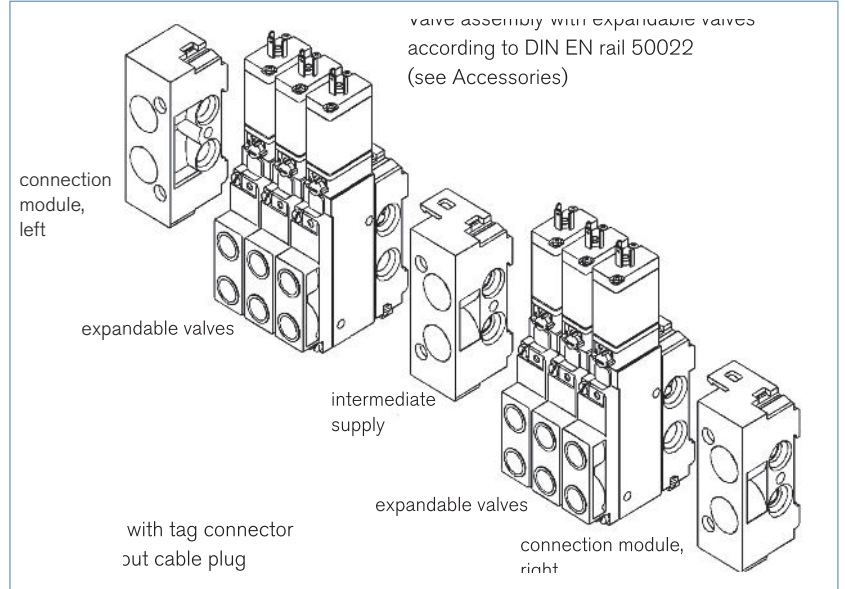
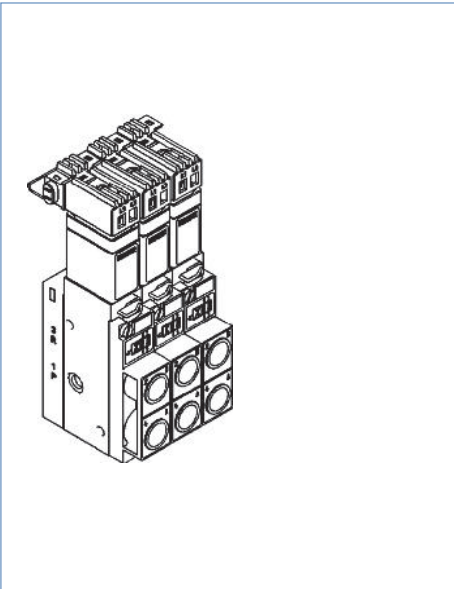
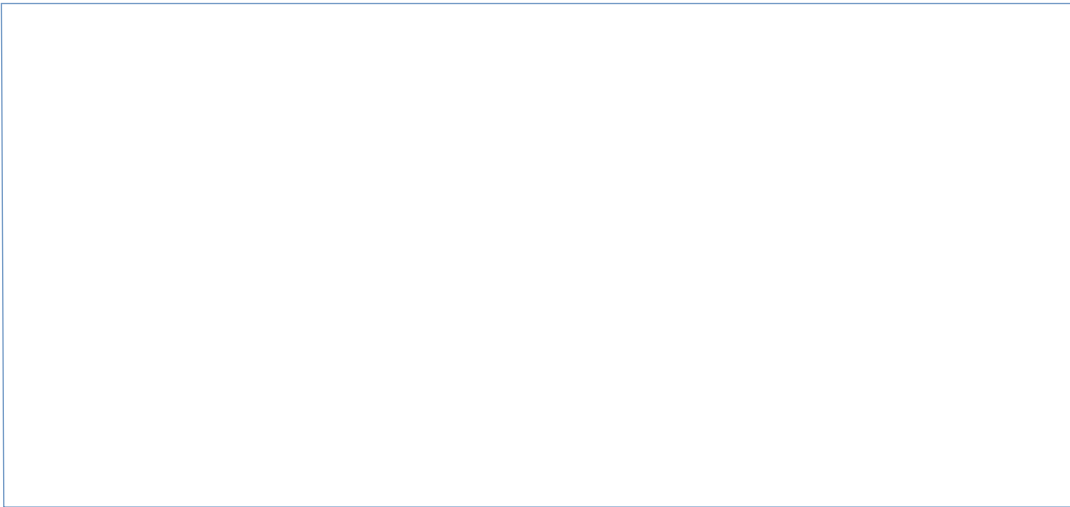
Circuit function G



Dimensions [mm] - Valve with rectangular plug on the side



Dimensions [mm] - Valve with tag connector above



Ordering chart for valves (other versions on request)

Extendable single valve with module flange for supply ports 1 and 3, tag connector above, supplied without cable plug (see Accessories)

Circuit function	Orifice [mm]	Q _{min} value air [l/min]	Pressure range [bar]	Service port 2 and 4	Voltage/Frequency [V/Hz]	Nominal power [W]	Item no. DC coil ²⁾	Item no. UC coil ³⁾
C 3/2-way valve, NC ¹⁾	4.0	300	2 - 10	Push-in connection Ø 6 mm below with check valve (option A)	24/DC/UC	2	136 872	-
					110-120/DC	3	136 873	145 970
					220-240/DC	3	136 874	145 971
D 3/2-way valve NO (on request)	4.0	300	2 - 10	Push-in connection Ø 6 mm below with check valve (option C)	24/DC	2	136 875	-
					110-120/DC	3	136 876	-
					220-240/DC	3	136 877	-
G 4/2-way valve	4.0	300	2 - 10	Tube connection at side 6/4 (option D)	24/DC/UC	2	136 878	-
					110-120/DC/UC	3	136 879	145 976
					220-240/DC/UC	3	136 880	145 977
				G 1/8 at side (option E)	24/DC/UC	2	136 881	-
					110-120/DC/UC	3	136 882	145 979
					220-240/DC/UC	3	136 883	145 980
				G 1/8 at side with one-way flow restrictor (option B)	24/DC/UC	2	136 884	-
					110-120/DC/UC	3	136 885	145 982
					220-240/DC/UC	3	136 886	145 983
				Push-in connection Ø 6 mm at side (option F)	24/DC/UC	2	136 887	-
					110-120/DC/UC	3	136 888	145 985
					220-240/DC/UC	3	136 889	145 986
Push-in connection Ø 6 mm underneath (option C)	24/DC/UC	2	136 890	-				
	110-120/DC/UC	3	136 891	145 988				
				220-240/DC/UC	3	136 892	145 989	

¹⁾ 3/2-way models (circuit functions C and D) with non-return valve in the module flange.

²⁾ Only for direct current operation (DC), for alternating current (AC), place a cable plug with a rectifier upstream.

³⁾ For universal current operation (UC = DC or AC); rectifier, varistor and LED integrated into the coil.

Groupable single valves with module flange for supply ports 1 and 3, with rectangular plug


Circuit function	Orifice [mm]	Q _{min} value air [l/min]	Pressure range [bar]	Service port 2 and 4	Voltage/Frequency [V/Hz]	Nominal power [W]	Item no. DC coil
C	4.0	300	2 - 10	Push-in connection Ø 6 mm under with check valve (option A)	24/DC	2	145 993
G	4.0	300	2 - 10	G 1/8 with 1-way restrictor valve (option B)	24/DC	2	145 997
				Push-in connection Ø 6 mm on side (option F)	24/DC	2	145 998
				Push-in connection Ø 6 mm underneath (option C)	24/DC	2	145 999

Ordering chart for accessories

Connector modules and accessories for valve blocks

Version	Port connection	Item no.
Connector module, left	G 1/8	623 753
	G 1/4	623 758
	Push-in connection Ø 8 mm	623 755
	Push-in connection Ø 10 mm	623 762
Connector module, right	G 1/8	623 767
	G 1/4	623 773
	Push-in connection Ø 8 mm	623 770
	Push-in connection Ø 10 mm	623 784
Intermediate supply	G 1/8	627 742
	G 1/4	631 288
	Push-in connection Ø 8 mm	631 287
	Push-in connection Ø 10 mm	631 290
Blanking plug	G 1/8	631 019
	G 1/4	631 020
Blanking plug	Ø 6 mm	015 397
	Ø 8 mm	900 065
Covering plate	for unused valve positions	643 223

Cable plug type 2506 to industrial standard, form B

	Accessory	Circuitry	Features	Item no.
	Cable plug type 2506	None (standard)	0 - 250 V/DC	008 353
		with LED	12 - 24 V/DC	008 402
		with varistor	12 - 24 V/DC	008 408
		with rectifier, LED and varistor	12 - 24 V/DC	008 345

- other versions: see Datasheet type 2506
- Supplied with cable plug: flat seal and fixing screw.

Ordering chart for accessories**Additional accessories**

Version	Item no.
Extendable 3-way cable plug type 1057-SA, IP20, with looped-through neutral and protective earth (for 24 V only)	629 253
Protective conductor and neutral cable kit	629 262
Control line with AMP plug, 540 mm wires	629 181
Standard 300 mm rail for 8 - 12-way block with intermediate supply (ZE) or for 8 - 14-way block w/o ZE	640 789
Standard 408 mm rail for 13 - 17-way block with intermediate supply (ZE) or for 15 - 19-way block w/o ZE	640 788
Standard 498 mm rail for 17 - 22-way block with 2 intermediate supplies (ZE) or for 18 - 23-way block with 1 ZE	630 579