



Typ 5404 kombinierbar mit


Type 2508

Cable plug


Type 2513

 Cable plug
(ATEX Cat. 3 GD)

Type 1078

Timer unit


Type 2511

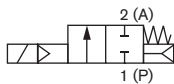
ASI cable plug

Servo-assisted 2/2 way piston valve

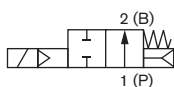
- Servo-assisted piston valve with diameter of up to DN 25
- Vibration-proof, screwed coil system
- Moulded housing with high surface quality
- Explosion proof versions
- Suitable for gas and steam applications

The 5404 valve is a servo-assisted piston valve available in both NC and NO versions. A minimum differential pressure is required for the valve switching function. The standard brass housing satisfies all European drinking water requirements. The solenoid coils are moulded with high-quality polyamide. For reduced energy requirement, all coils can be delivered with electronic power reduction. In combination with a plug in accordance with DIN EN 17301-803 Form A, the valves satisfy protection class P65.

Circuit function A


 2/2 way valve NC,
normally closed

Circuit function B


 2/2 way valve NO,
normally open

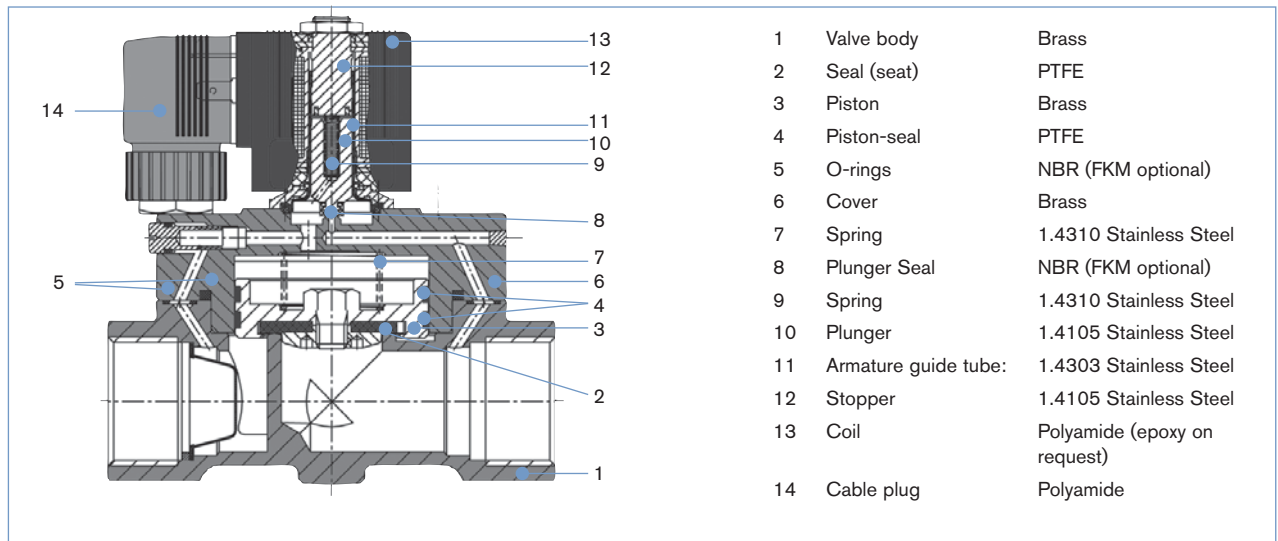
Technical data	
Orifice	DN 12 - 25 mm
Body material	Brass
Coil material	Polyamide
Coil insulation class	B (H on request)
Valve internals	Stainless steel, brass
Seal material	PTFE seat seal + NBR PTFE seat seal + FKM
Media	Neutral media, compressed air, water, hydraulic oil
Media temperature	0 to +100 °C
Ambient temperature	Max. +55 °C
Voltage tolerance	±10 %
Duty cycle	100% continuous rating
Electrical connection	Tag connector acc. to DIN EN 175301-803 (previously DIN 43650) Form A for cable plug Type 2508 (see accessories)
Protection class	IP 65 with cable plug
Installation	As required, preferably with actuator upright

Response times	
Opening [ms]	20-400
Closing [ms]	100-1500 (depending on orifice and differential pressure)

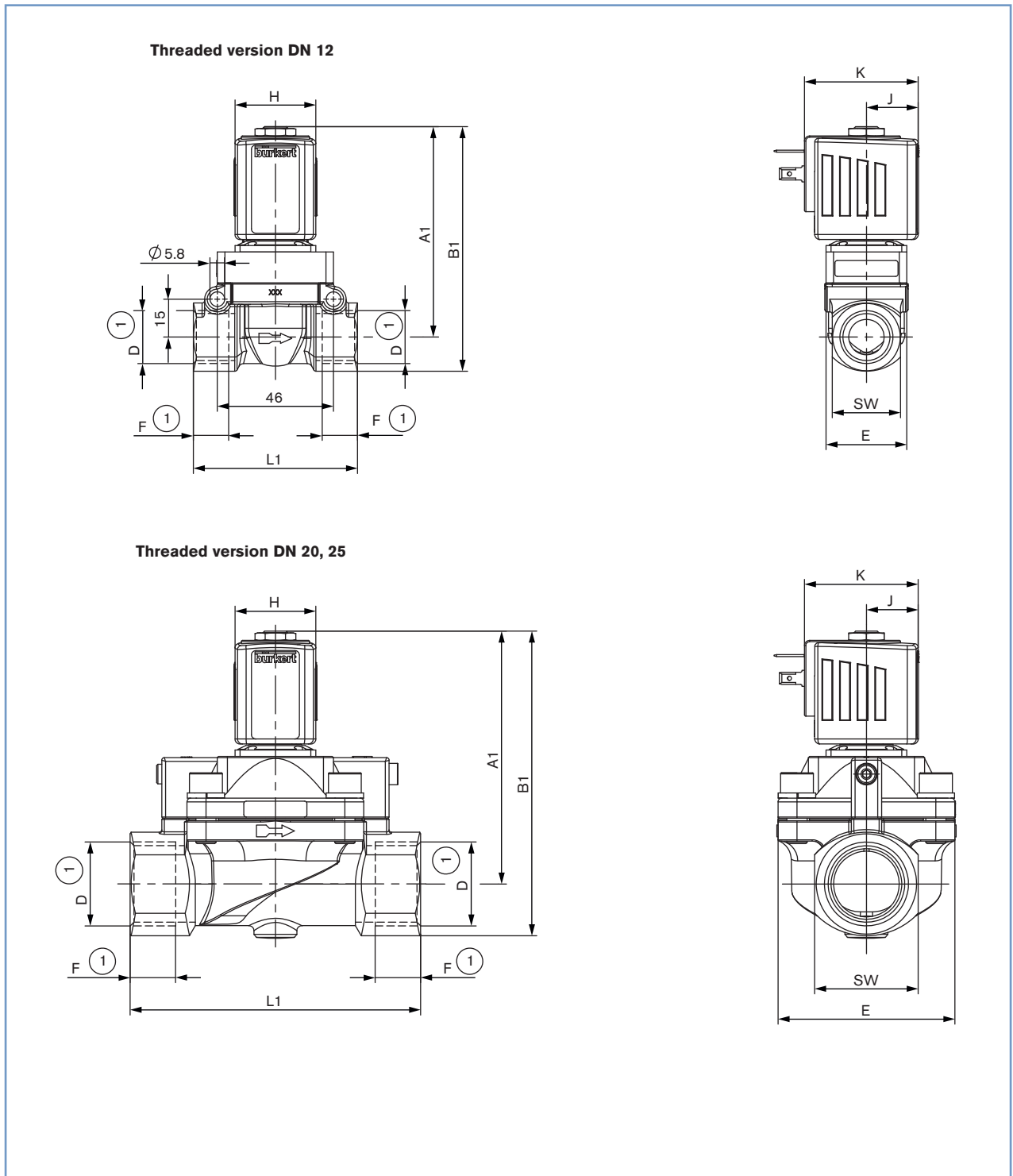
Power consumption			
Standard Inrush AC [VA]	Hold AC (hot coil) [VA]	Hold DC (hot/cold coil) [W]	Hold DC (hot/cold coil) [W]
Circuit function A			
24	14	8	8/9.5
Circuit function B			
24	16	7	8/9.5
Ex Coil ¹⁾ (Circuit function A)			
9	9		9

¹⁾ with internal rectifier

Materials



Dimensions [mm] - standard version

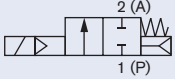
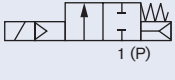


Threaded version

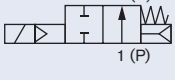
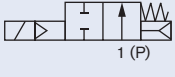
DN [mm]	WWA		WWB		D1	F1	D2	F2	D3	F3	E	L1	SW	H	J	K	Coil size
	A1	B1	A1	B1													
12.0	83	96.5	90.5	104	G 1/2	14	NPT 1/2	13.7	Rc 1/2	13.2	32	65	27	32	20.5	45	5
20.0	93	109			G 3/4	16	NPT 3/4	14	Rc 3/4	14.5	60	100	32				
25.0	99.5	119			G1	18	NPT1	16.8	Rc1	16.8	70	115	41				
12.0	83	96.5	90.5	104	G 1/2	14	NPT 1/2	13.7	Rc 1/2	13.2	32	65	27	40	23.5	51	6
20.0	93	109			G 3/4	16	NPT 3/4	14	Rc 3/4	14.5	60	100	32				
25.0	99.5	119			G1	18	NPT1	16.8	Rc1	16.8	70	115	41				

Ordering chart for valves - Standard version (other versions on request)

Circuit function A (NC, normally closed), brass body; delivered without cable plug

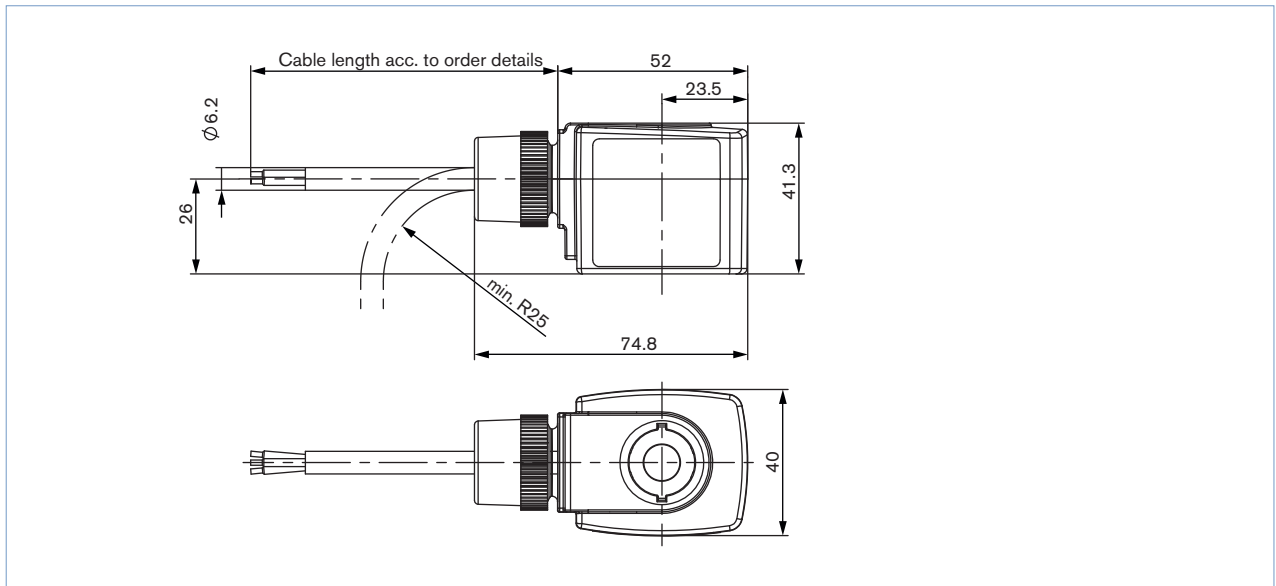
Circuit function	Port connection	Orifice [mm]	Kv value water [m ³ /h]	Pressure range for liquids [bar]	pressure range for gases [bar]	Item no. per voltage/frequency [V/Hz]		
						024/DC	024/50	230/50
PTFE + NBR								
A 2/2 way valve, NC 	G 1/2	12	2.0	1 - 50	1 - 50	134 590	134 591	134 593
	G 3/4	20	5.0	1 - 25	1 - 32	134 594	-	-
				1 - 25	1 - 40	-	134 595	134 597
	G 1	25	10.0	1 - 25	1 - 32	134 598	-	-
1 - 25				1 - 40	-	134 599	134 601	
PTFE + FKM								
A 2/2 way valve, NC 	G 1/2	12	2.0	1 - 50	1 - 50	140 564	140 565	140 566
	G 3/4	20	5.0	1 - 25	1 - 32	X	-	-
				1 - 25	1 - 40	-	X	X
	G 1	25	10.0	1 - 25	1 - 32	189 860	-	-
1 - 25				1 - 40	-	X	X	

Circuit function B (NO, normally open), internal feedback, brass body; delivered without cable plug

Circuit function	Port connection	Orifice [mm]	Kv value water [m ³ /h]	Pressure range for liquids [bar]	pressure range for gases [bar]	Item no. per voltage/frequency [V/Hz]		
						024/DC	024/50	230/50
PTFE + NBR								
B 2/2 way valve, NO 	G 1/2	12	2.0	1 - 40	1 - 40	X	X	X
	G 3/4	20	5.0	1 - 25	1 - 25	X	X	X
	G 1	25	10.0	1 - 25	1 - 25	X	X	X
PTFE + FKM								
B 2/2 way valve, NO 	G 1/2	12	2.0	1 - 40	1 - 40	X	X	X
	G 3/4	20	5.0	1 - 25	1 - 25	X	254 636	X
	G 1	25	10.0	1 - 25	1 - 25	X	X	X

X on request

Dimensions [mm] - ATEX/IECEX version



ordering chart for valves - ATEX/IECEX versions (other versions on request)

Circuit function A (NC, normally closed), brass body; delivered without cable plug

The maximum fluid temperature must not in any case exceed the permissible temperature class (T4 135 °C, 100 °C T5, T6 85 °C), minus 5 K.

Circuit function	Port connection	Orifice [mm]	Kv value water [m³/h]	Pressure range for liquids [bar]	pressure range for gases [bar]	Item no. per voltage/frequency [V/Hz]	
						024/UC	230/UC
PTFE + NBR							
A 2/2 way valve, NC 	G 1/2	12	2.0	1-50	1-50	X	278 115
	G 3/4	20	5.0	1-25	1-32	X	X
	G 1	25	10.0	1-25	1-32	X	X
PTFE + FKM							
A 2/2 way valve, NC 	G 1/2	12	2.0	1-50	1-50	278 117	278 118
	G 3/4	20	5.0	1-25	1-32	285 858	278 121
	G 1	25	10.0	1-25	1-32	X	X

X on request

Explosion-proof approvals

ATEX: PTB 14 ATEX 2023 X

II 2G Ex mb IIC T4 Gb

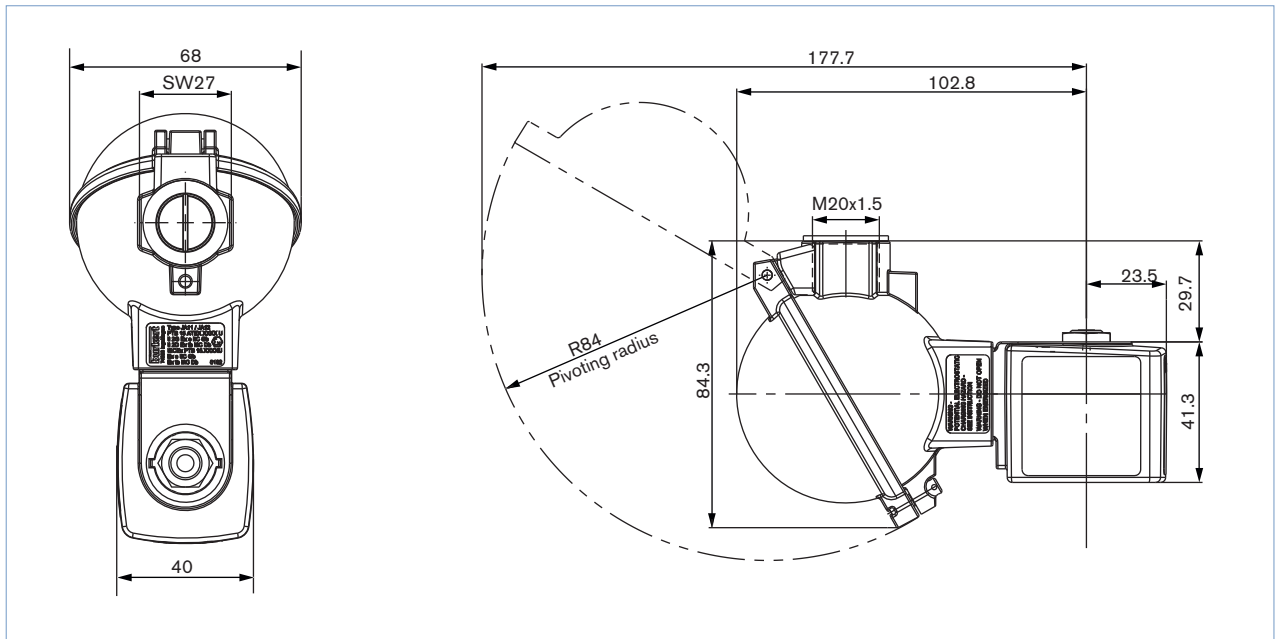
II 2D Ex mb IIIC T130 °C Db

IECEX: IECEX PTB 14.0049 X

Ex mb IIC T4 Gb

Ex mb IIIC T130 °C Db

Dimensions [mm] - ATEX/IECEX junction box version



Ordering chart for valves - ATEX/IECEX junction box version (Further versions on request)

Circuit function A (NC, normally closed), brass body; delivery without cable plug

The maximum fluid temperature must not in any case exceed the permissible temperature class (T4 135 °C, 100 °C T5, T6 85 °C), minus 5 K.

Circuit function	Port connection	Orifice [mm]	Kv value water [m ³ /h]	Pressure range for liquids [bar]	pressure range for gases [bar]	Item no. per voltage/frequency [V/Hz]	
						024/UC	230/UC
PTFE + NBR							
A 2/2 way valve, NC 	G 1/2	12	2,0	1-50	1-50	x	x
	G 3/4	20	5,0	1-25	1-32	x	x
	G 1	25	10,0	1-25	1-32	x	x
PTFE + FKM							
A 2/2 way valve, NC 	G 1/2	12	2,0	1-50	1-50	289 362	289 371
	G 3/4	20	5,0	1-25	1-32	x	x
	G 1	25	10,0	1-25	1-32	x	x

Explosion-proof approvals

ATEX: PTB 15 ATEX 1011U

IECEX: PTB 15.0037U

X on request

Note: the pressure values for liquid media are shown on the rating plate!

Please note that the cable plug has to be ordered separately, see Ordering chart for accessory below and separate datasheet, Type 2508

i Further versions on request



Approvals

UL, UR, CSA, Hazardous Locations Expl. proof, EEx m/ed




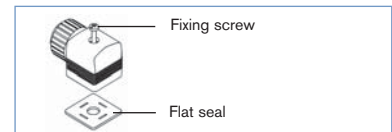
Voltage

110/50, non-standard voltages

Ordering chart for accessories

Cable plug Type 2508 according to DIN EN 175301-803 Form A


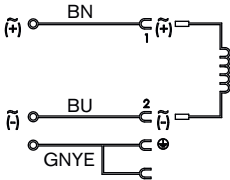
	Circuitry	Voltage / frequency	Item no.
	None (standard)	0 - 250 V AC/DC	008 376
	with LED	12 - 24 V AC/DC	008 360
	with LED and varistor	12 - 24 V AC/DC	008 367
	with rectifier, LED and varistor	12 - 24 V AC/DC	008 363
	with LED	200 - 240 V	008 362
	with LED and varistor	200 - 240 V	008 369
further versions see datasheet Type 2508			



The delivery of a cable plug includes the flat seal and the fixing screw. For other cable plug versions acc. to DIN EN 175301-803 Form A (previously DIN 43650), see separate datasheet Type 2508.


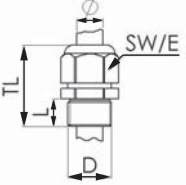

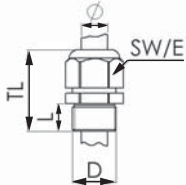
Cable plug Type 2513 acc. to DIN EN 175301-803, Form A

Meets the requirements of ATEX category 3 GD

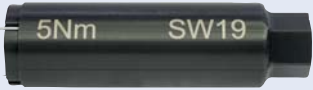
		Cable length [mm]	Item no. [in mm]
		12000	260 893
		5000	260 892
		3000	260 891
		300	260 890

Ex-Cable glands

(polyamide version included in delivery / surcharge applied for brass nickel plated version)

Photo	Description	Ex Approvals		Item no	Drawing										
		Certification	Identifica- tion												
	Brass, nickelplated, 6-13 mm	PTB 04 ATEX 1112 X, IECEx PTB 13.0027X	II 2 G Ex e IIC Gb, II 2 D Ex tb IIIC Db IP68,	773 278	 <table border="1"> <tr><td>TL</td><td>29-37 mm</td></tr> <tr><td>L</td><td>6 mm</td></tr> <tr><td>D</td><td>20</td></tr> <tr><td>SW</td><td>24 mm</td></tr> <tr><td>E</td><td>27 mm</td></tr> </table>	TL	29-37 mm	L	6 mm	D	20	SW	24 mm	E	27 mm
TL	29-37 mm														
L	6 mm														
D	20														
SW	24 mm														
E	27 mm														
	Polyamide, 7-13 mm	PTB 13 ATEX 1015 X, IECEx PTB 13.0034X	II 2 G Ex e IIC Gb, II 2 D Ex tb IIIC Db IP68	773 277	 <table border="1"> <tr><td>TL</td><td>36-45 mm</td></tr> <tr><td>L</td><td>10 mm</td></tr> <tr><td>D</td><td>20</td></tr> <tr><td>SW</td><td>24 mm</td></tr> <tr><td>E</td><td>28 mm</td></tr> </table>	TL	36-45 mm	L	10 mm	D	20	SW	24 mm	E	28 mm
TL	36-45 mm														
L	10 mm														
D	20														
SW	24 mm														
E	28 mm														

Special tool to turn the junction box (not included in delivery)

Photo	Description	Item no.
	Set SC02-AC10 Special wrench Service Manual	293 488