

2/2-way Solenoid Valve for neutral media, EEx version

- General purpose range with servo-diaphragm
- Anti-waterhammer, low noise
- Push-over solenoid system
- Seal material NBR

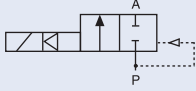
The servo-assisted solenoid valve Type 5281 EEx with servo-diaphragm can be used in accordance with its protection type for the shutting off, dosing and filling of gaseous and liquid media in environments where there is a danger of explosion.

| Technical data | |
|----------------------------|---|
| Orifice | DN 13 - 65 mm |
| Body material | Brass |
| Valve internal material | Stainless steel, brass |
| Seal material | NBR (EPDM and FKM on request) |
| Media with NBR | Neutral media, compressed air, water |
| Media temperature with NBR | -10 to +80 °C |
| Ambient temperature | -10 to +60 °C |
| Type of current | AC/DC |
| Voltage tolerance | ±10% |
| Power consumption | 9 W |
| Duty cycle | 100% continuous rating |
| Electrical connection | Moulded-on cable 3 m long, 3 x 0.75 mm ² (non-separable), with cable outlet to the side. Terminal box on request |
| Protection class | IP 65 |
| Type of protection | II 2G EEx m II T4 PTB 00 ATEX 2129X II 2D IP 65 T 135°C |
| Installation | As required, preferably with actuator in upright position |


| Power consumption | |
|-------------------|-------------|
| Inrush UC [W] | Hold UC [W] |
| 9 | 9 |


Ordering chart for valves (other versions on request)

Brass body with threaded ports and NBR seal

| Circuit function | Port connection | Orifice [mm] | Kv value water [m ³ /h] | Pressure range [bar] | Per Item no. Voltage/Frequency [V/Hz] with 3 m cable | |
|---|-----------------|--------------|------------------------------------|----------------------|--|---------|
| | | | | | 024/UC | 230/UC |
| A 2/2-way, normally closed (NC)  | G 1/2 | 13 | 4.0 | 0.2 - 16 | 136 125 | 136 127 |
| | G 3/4 | 20 | 5.0 | 0.2 - 10 | 136 128 | 136 130 |
| | G 1 | 25 | 10.0 | 0.2 - 10 | 136 131 | 136 133 |
| | G 1 1/4 | 32 | 20.0 | 0.2 - 10 | 136 134 | 136 136 |
| | G 1 1/2 | 40 | 20.0 | 0.2 - 10 | 136 137 | 136 139 |
| | G 2 | 50 | 40.0 | 0.2 - 10 | 136 140 | 136 142 |
| | G 2 1/2 | 65 | 40.0 | 0.2 - 10 | 136 143 | 136 145 |

 Further versions on request

 **Material**
Seal material: EPDM, FKM

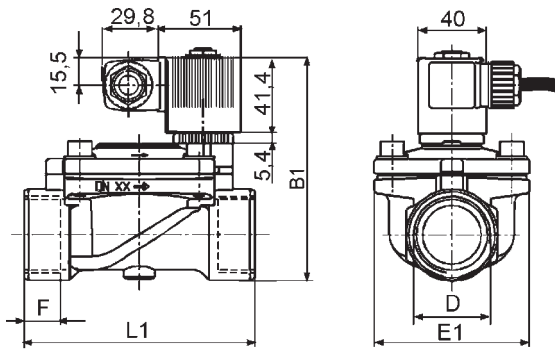
 **Electrical connection**
Terminal box without safety fuse

 **Port connection**
Flange

Ordering chart for fuses for the 9W coil

| Voltage [V] | Nominal current [mA] | Item no. |
|-------------|----------------------|----------|
| 24 | 1000 | 153 738 |
| 110 | 250 | 153 732 |
| 230 | 100 | 153 718 |

Dimensions [mm]



| Threaded port version | | | | | |
|-----------------------|---------|-------|-----|----|-----|
| DN | D | B1 | E1 | F | L1 |
| 13 | G 1/2 | 100.5 | 40 | 14 | 65 |
| 20 | G 3/4 | 108.0 | 60 | 16 | 100 |
| 25 | G 1 | 116.5 | 70 | 18 | 115 |
| 32 | G 1 1/4 | 127.0 | 85 | 20 | 126 |
| 40 | G 1 1/2 | 136.0 | 85 | 22 | 126 |
| 50 | G 2 | 157.6 | 115 | 24 | 164 |
| 65 | G 2 1/2 | 157.6 | 115 | 27 | 180 |