



Type 3232 can be combined with...



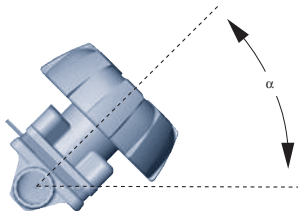
Type 2030/31

Version with
pneumatic actuator

Manually-operated diaphragm valves in compact model consisting of plastic bodies, diaphragm seal, PPS bonnet and PPS handwheel. The diaphragm is both a switching element and a seal element towards the outside, and is easily replaced. The flow can be continually adjusted with the handwheel. The valves have no dead volume and can be mounted to be self-draining.

Installation for self-draining operation

$\alpha = 15$ to 30° plus 3° to 5° inclination to pipe axis



2/2-way Diaphragm Valve with plastic body, manually operated, DN 15-50

- Application with aggressive media
- Flow-optimised body
- Zero dead volume
- Removable radial true union and spigot connections
- Self-draining

Technical data

| | |
|---|--|
| Orifice | DN 15 - 50 (65-100 on request) |
| Body materials | PVC-U, PP, PVDF |
| Actuator material | PPS manual actuator and bonnet |
| Seal material | EPDM, PTFE/EPDM (FKM on request) |
| Medium | Neutral or aggressive medium |
| Viscosity | Up to viscous |
| Medium temperature ¹⁾ | See chart on p. 2 |
| Ambient temperature | -10 to +60 °C |
| Port connections | True union and spigot |
| Installation | As required |
| Installation for self draining | Tilted 5 to 30° to the horizontal and Inclined 3 to 5° to the flow direction (see drawing) |
| Options (on request) | Locking function |

¹⁾ The permissible nominal pressure falls with increasing medium temperature (see Pressure-temperature chart)

Ordering chart for valves (other versions on request)

All bonnets and handwheels are manufactured from PPS


| Orifice DN [mm] | Orifice DN [inch] | Connection internal Ø [mm] | Kv value water [m ³ /h] | Pressure range at +20°C [bar] | Item no. EPDM diaphragm | Item no. EPDM/ PTFE diaphragm |
|------------------------------|----------------------|----------------------------------|--|-------------------------------------|-------------------------------|--|
| Body in PVC | | | | | | |
| True union connection | | | | | | |
| 15 | 1/2 | 20 | 3.5 | 0 - 10 | 144 758 | 144 764 |
| 20 | 3/4 | 25 | 7.2 | 0 - 10 | 144 759 | 144 765 |
| 25 | 1 | 32 | 12.5 | 0 - 10 | 144 760 | 144 766 |
| 32 | 1 1/4 | 40 | 19.0 | 0 - 10 | 144 761 | 144 767 |
| 40 | 1 1/2 | 50 | 28.0 | 0 - 10 | 144 762 | 144 768 |
| 50 | 2 | 63 | 40.0 | 0 - 7 | 144 763 | 144 769 |
| Spigot connection | | | | | | |
| 15 | 1/2 | 20 | 3.5 | 0 - 10 | 144 770 | 144 776 |
| 20 | 3/4 | 25 | 7.2 | 0 - 10 | 144 771 | 144 777 |
| 25 | 1 | 32 | 12.5 | 0 - 10 | 144 772 | 144 778 |
| 32 | 1 1/4 | 40 | 19.0 | 0 - 10 | 144 773 | 144 779 |
| 40 | 1 1/2 | 50 | 28.0 | 0 - 10 | 144 774 | 144 780 |
| 50 | 2 | 63 | 40.0 | 0 - 7 | 144 775 | 144 781 |
| Body in PP | | | | | | |
| True union connection | | | | | | |
| 15 | 1/2 | 20 | 3.5 | 0 - 10 | 144 782 | 144 788 |
| 20 | 3/4 | 25 | 7.2 | 0 - 10 | 144 783 | 144 789 |
| 25 | 1 | 32 | 12.5 | 0 - 10 | 144 784 | 144 790 |
| 32 | 1 1/4 | 40 | 19.0 | 0 - 10 | 144 785 | 144 791 |
| 40 | 1 1/2 | 50 | 28.0 | 0 - 10 | 144 786 | 144 792 |
| 50 | 2 | 63 | 40.0 | 0 - 7 | 144 787 | 144 793 |
| Spigot connection | | | | | | |
| 15 | 1/2 | 20 | 3.5 | 0 - 10 | 144 794 | 144 800 |
| 20 | 3/4 | 25 | 7.2 | 0 - 10 | 144 795 | 144 801 |
| 25 | 1 | 32 | 12.5 | 0 - 10 | 144 796 | 144 802 |
| 32 | 1 1/4 | 40 | 19.0 | 0 - 10 | 144 797 | 144 803 |
| 40 | 1 1/2 | 50 | 28.0 | 0 - 10 | 144 798 | 144 804 |
| 50 | 2 | 63 | 40.0 | 0 - 7 | 144 799 | 144 805 |
| Body in PVDF | | | | | | |
| True union connection | | | | | | |
| 15 | 1/2 | 20 | 3.5 | 0 - 10 | 144 806 | 144 812 |
| 20 | 3/4 | 25 | 7.2 | 0 - 10 | 144 807 | 144 813 |
| 25 | 1 | 32 | 12.5 | 0 - 10 | 144 808 | 144 814 |
| 32 | 1 1/4 | 40 | 19.0 | 0 - 10 | 144 809 | 144 815 |
| 40 | 1 1/2 | 50 | 28.0 | 0 - 10 | 144 810 | 144 816 |
| 50 | 2 | 63 | 40.0 | 0 - 7 | 144 811 | 144 817 |
| Spigot connection | | | | | | |
| 15 | 1/2 | 20 | 3.5 | 0 - 10 | 144 818 | 144 824 |
| 20 | 3/4 | 25 | 7.2 | 0 - 10 | 144 819 | 144 825 |
| 25 | 1 | 32 | 12.5 | 0 - 10 | 144 820 | 144 826 |
| 32 | 1 1/4 | 40 | 19.0 | 0 - 10 | 144 821 | 144 827 |
| 40 | 1 1/2 | 50 | 28.0 | 0 - 10 | 144 822 | 144 828 |
| 50 | 2 | 63 | 40.0 | 0 - 7 | 144 823 | 144 829 |

Note: The permissible nominal pressure falls with increasing medium temperature (see Pressure-temperature chart next page).

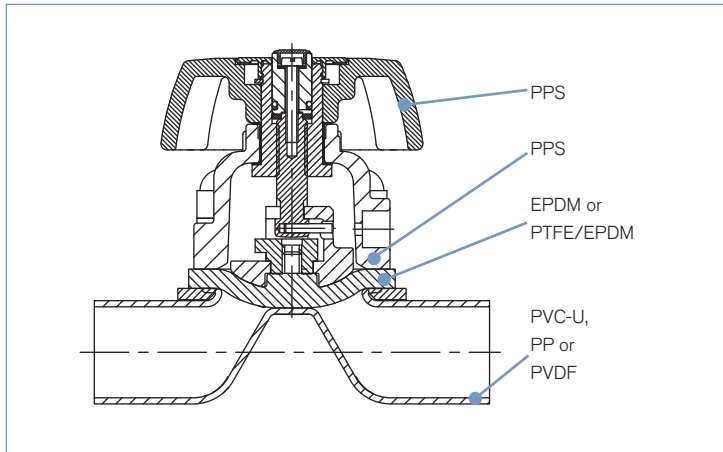
 Further versions on request

 **Material**
Sealing: FKM

 **Port connection**
Orifice 65-100


 **Additional**
Versions with locking function

Materials



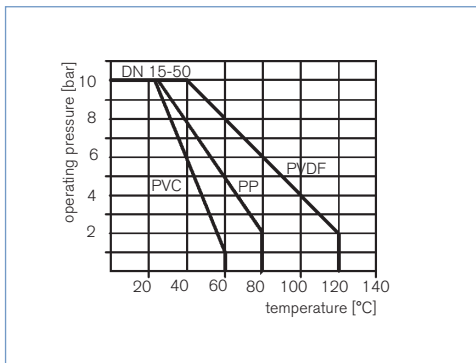
Approvals

Suitable for foodstuffs

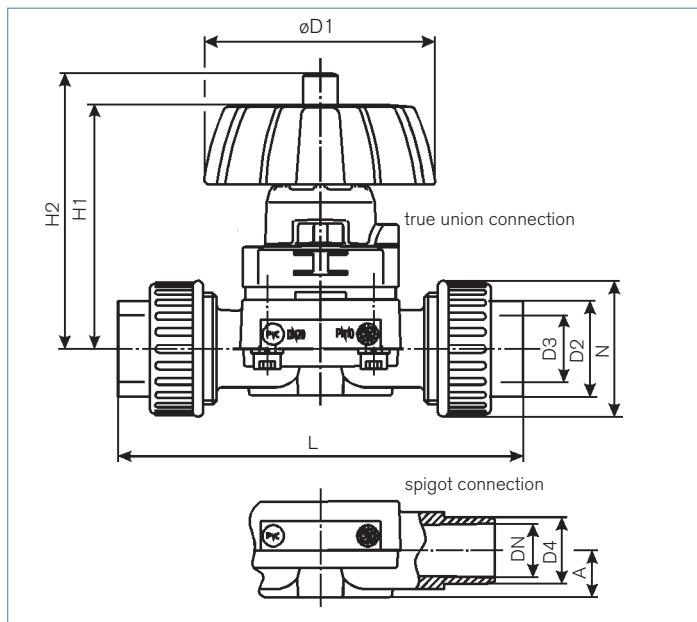
- 
 The composition of the EPDM and PTFE/EPDM diaphragms corresponds to the *Code of Federal Regulations*, published by the *FDA* (Food and Drug Administration, USA).

Medium temperature

Pressure-temperature compatibility chart



Dimensions [mm]



| All versions | | | | True union connection | | | | Spigot connection | | |
|--------------|------------------|-----|-----|-----------------------|----|-----|-----|-------------------|----|-----|
| DN | $\varnothing D1$ | H1 | H2 | D2 | D3 | L | N | A | D4 | L |
| 15 | 86 | 84 | 92 | 28 | 20 | 128 | 41 | 14 | 20 | 124 |
| 20 | 86 | 92 | 102 | 36 | 25 | 152 | 51 | 17.5 | 25 | 144 |
| 25 | 86 | 96 | 108 | 42 | 32 | 166 | 58 | 21 | 32 | 154 |
| 32 | 114 | 124 | 139 | 53 | 40 | 192 | 72 | 25.5 | 40 | 174 |
| 40 | 114 | 130 | 149 | 59 | 50 | 222 | 80 | 32.5 | 50 | 194 |
| 50 | 114 | 145 | 170 | 74 | 63 | 266 | 100 | 39 | 63 | 224 |