

## 2/2-way Diaphragm Valve, cast valve body, weld end and clamp connection, port connection DN 4-50



Type 2031 with weld end connection

Type 2031 with clamp connection

Type 2031 can be combined with...



**Type 8691**

Control head



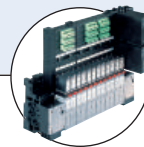
**Type 8690**

Pneum. control unit with feedback



**Type 1062**

Electrical position feedback



**Type 8640/8644**

Valve block



**Type 6012/6014 P**

Pilot valve



**Type 8311**

Pressure Sensor/ Switch

The externally piloted diaphragm valve consists of a pneumatically operated piston actuator, a diaphragm and a 2-way valve housing made of investment cast stainless steel.

The standard material of the actuator is PPS. With its favourable flow characteristics and zero dead volume, the valve housing enables high flow capacities and a variety of applications to be realized.

### Applications

- Water treatment
- Biotechnology
- Food industry

- Hermetical separation of fluids from the operating mechanism by diaphragm
- Zero dead volume
- Various surface finishes
- Quality certifications /

Technical data	
<b>Port Connection</b>	DN 4 - 50
<b>Body material</b>	Cast stainless steel 316 L/1.4435
<b>Actuator material</b>	PPS (PA polyamide on request)
<b>Pilot air ports</b>	Stainless steel 1.4305
<b>Seal materials</b>	EPDM, PTFE/EPDM (advanced PTFE/EPDM, FKM on request)
<b>Medium</b>	Neutral gases and liquids, high purity, sterile, aggressive or abrasive fluids
<b>Viscosity</b>	up to viscous
<b>Surface finish</b> internal mechanical polished (external cast surface) internal electro polished (external cast surface electro polished) (more on request)	(average surface finish) Ra ≤ 0.8 µm  Ra ≤ 0.6 µm
<b>Medium temperatures</b> EPDM, PTFE/EPDM, advanced PTFE/EPDM <sup>1)</sup> FKM	-10 to +130°C (briefly up to +150°C for steam sterilisation) -10 to +130°C
<b>Ambient temperature</b> Actuator size < 100 Actuator size ≥ 100	+5 to +140°C +5 to +90°C Briefly up to +140°C
<b>Control medium</b>	neutral gases; air
<b>Pilot pressure max.</b>	max. 7 bar, see table p. 2
<b>Port connections</b> Weld end acc. Clamp acc. Sterile threaded ends	EN ISO 1127/ISO 4200, DIN 11850 S0 to S3, SMS 3008 ISO 2852/SMS 3017, DIN 32676, BS 4825 on request DIN 11851, SMS 1145
<b>Installation</b>	As required, preferably with actuator in upright position

<sup>1)</sup> Advanced PTFE/EPDM is recommended for sterilization cycle

### Content



#### Valve specifications

#### Type 2031 cast

Technical data & ordering info.

p. 1-8



#### System spec. On/Off Classic

#### Type 8801-DB/ 8803-DB

Ordering info. & technical data

p. 9-12

#### Request for quotation

#### Type 8801-DB/ 8803-DB

p. 13

## Technical data

### Kv-values

Port connection DN		Orifice (diaphragm size) [mm]	Kv-value water <sup>1)</sup> [m <sup>3</sup> /h]	Actuator size Ø [mm]	Pilot pressure (bar)		Max. operating pressure for seal material [bar]		Weight [kg]
[mm]	[inch]				min.	max.	EPDM, FKM	PTFE/EPDM, advanced PTFE/EPDM	
4/6	–	8	0.8	40	5.0	7	10	10	0.4
8	1/4"	8	1.0	40	5.0	7	10	10	0.4
10	3/8"	8	1.0	40	5.0	7	10	10	0.4
15	1/2"	15	4.0	50	5.0	7	8.5	–	0.7
			4.5	63	5.0	7	–	10	0.9
20	3/4"	20	7.0	63	5.5	7	10	–	1.3
			7.5	80	5.0	7	–	10	2.0
25	1"	25	12.0	80	5.0	7	10	–	2.2
			12.0	80	5.5	7	–	7.5	2.2
32	1 1/4"	32	30.0	100	5.5	7	6.5	–	4.2
			30.5	125	5.5	7	–	10	5.7
40	1 1/2"	40	30.0	100	5.5	7	6.5	–	4.2
			30.5	125	5.5	7	–	10	5.7
50	2"	50	51.5	125	5.5	7	8	–	7.6
			51.5	125	5.5	7	–	7	7.6

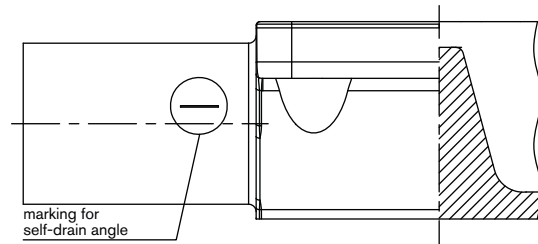
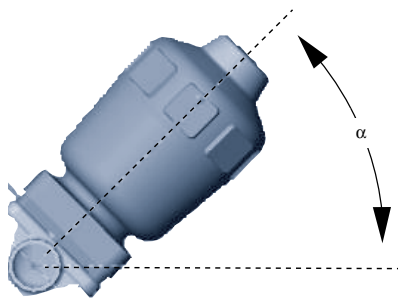
1) Measured at +20°C, 1 bar pressure at valve inlet and free outlet.

**Pressure values (bar):** Gauge pressures with respect to the prevailing atmospheric pressure.

### Remark:

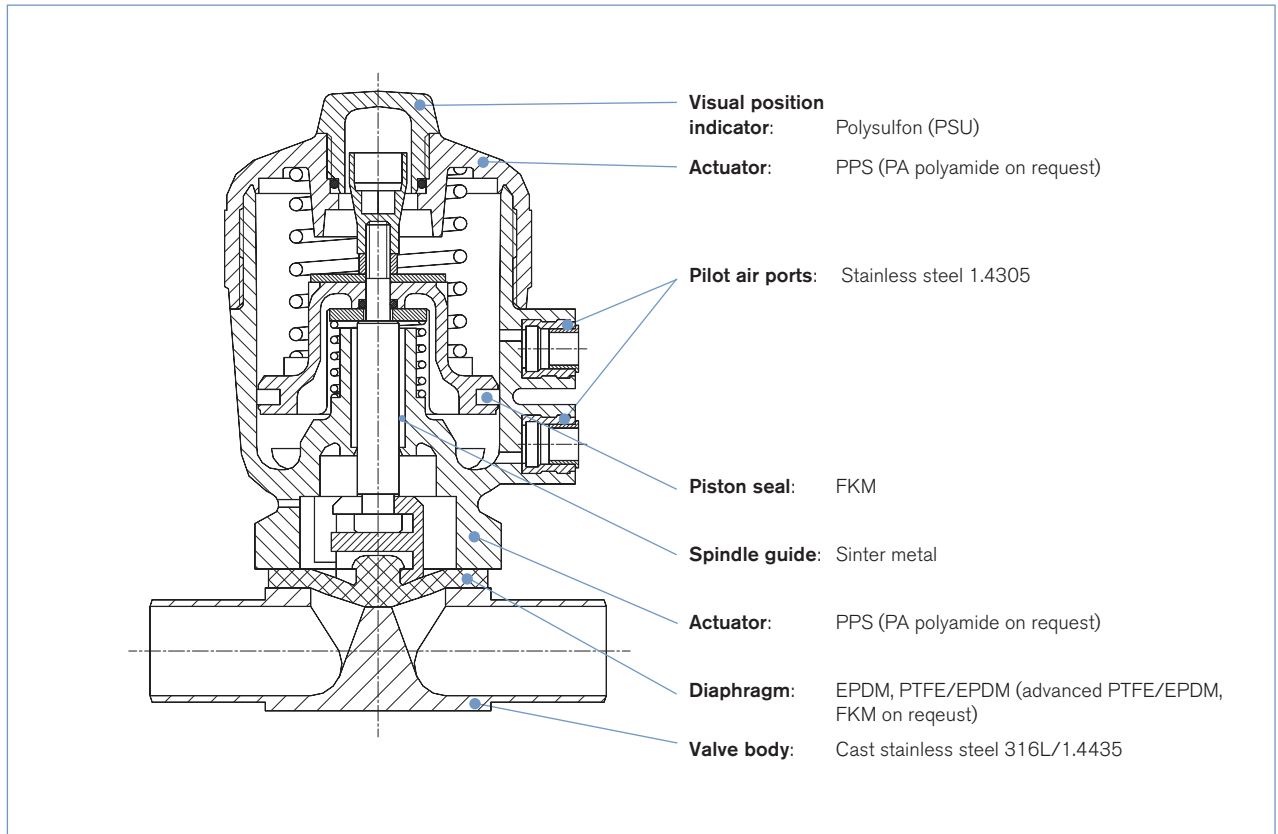
For low operating pressures we recommend reduced spring versions.

## Installation for self-draining operation



$\alpha = 15^\circ$  up to  $35^\circ$  (Marking must face upwards, 12 o'clock position)  
plus  $1^\circ$  to  $5^\circ$  inclination to the pipe axis.  
Drain marks permanently marked on both sides of the valve body  
show the correct mounting position to optimise drain ability.

## Materials



## Approvals

### Suitable for foodstuffs / sterile applications




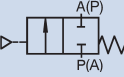
▪ The composition of the EPDM and PTFE/EPDM diaphragms corresponds to the *Code of Federal Regulations*, published by the *FDA* (Food and Drug Administration, USA).



- The 3-A approved diaphragm valves on request (3-A Sanitary Standards Symbol Administrative Council)
- The EPDM und PTFE/EPDM diaphragms are approved acc. USP Class VI
- Approval according TA-Luft (Port connections DN4-50)

Ordering chart for valves (other versions on request)

Body with weld end

	Port connection DN		Orifice (Diaphragm-size) [mm]	External Ø [mm]	Kv-value water [m³/h]	Actuator size Ø [mm]	Pilot pressure [bar]	Max. operating pressure [bar]	Item no. mech. polished, Ra <sub>V</sub> 0.8 µm	Item no. electro polished, Ra <sub>V</sub> 0.6 µm	
	[mm]	[inch]									
<b>Control function A</b>  2/2-way, NC by spring return	<b>Acc. EN ISO 1127/ ISO 4200</b>										
	Diaphragm material EPDM										
	8	1/4"	8	13.5	1.0	40	5.0-7	10	441 215	441 216	
	10	3/8"	8	17.2	1.0	40	5.0-7	10	441 239	441 240	
	15	1/2"	15	21.3	4.0	50	5.0-7	8.5	441 282	441 283	
	20	3/4"	20	26.9	7.0	63	5.5-7	10	441 321	441 322	
	25	1"	25	33.7	12.0	80	5.5-7	10	441 364	441 365	
	32	1 1/4"	40	42.4	30.0	100	5.5-7	6.5	551 966	553 353	
	40	1 1/2"	40	48.3	30.0	100	5.5-7	6.5	441 422	441 423	
	50	2"	50	60.3	51.5	125	5.5-7	8	441 477	441 478	
	Diaphragm material PTFE/EPDM										
	8	1/4"	8	13.5	1.0	40	5.0-7	10	441 952	441 953	
	10	3/8"	8	17.2	1.0	40	5.0-7	10	441 963	441 964	
	15	1/2"	15	21.3	4.5	63	5.0-7	10	441 967	441 968	
	20	3/4"	20	26.9	7.5	80	5.0-7	10	441 971	441 972	
	25	1"	25	33.7	12.0	80	5.5-7	7.5	441 975	441 976	
	32	1 1/4"	40	42.4	30.5	125	5.5-7	10	550 766	554 965	
	40	1 1/2"	40	48.3	30.5	125	5.5-7	10	441 979	441 980	
	50	2"	50	60.3	51.5	125	5.5-7	7	441 983	441 984	
	<b>Acc. SMS 3008</b>										
	Diaphragm material EPDM										
	25	1"	25	25.0	12.0	80	5.5-7	10	441 368	441 369	
	40	1 1/2"	40	38.0	30.0	100	5.5-7	6.5	441 426	441 427	
	50	2"	50	51.0	51.5	125	5.5-7	8	441 481	441 482	
	Diaphragm material PTFE/EPDM										
	25	1"	25	25.0	12.0	80	5.5-7	7.5	442 061	442 062	
	40	1 1/2"	40	38.0	30.5	125	5.5-7	10	442 065	442 066	
	50	2"	50	51.0	51.5	125	5.5-7	7	442 069	442 070	


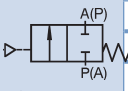
Port connection size equals the orifice diaphragm size except for port connection 32 mm. At port connection 32 mm the orifice diaphragm size equals 40 mm.

**i Further versions on request**

**> Additional**  
 Versions with reduced spring force

## Ordering chart for valves (other versions on request)

Body with weld end, *cont.*


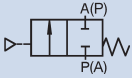
	Port connection DN		Orifice (Diaphragm size) [mm]	External Ø [mm]	KV-value water [m³/h]	Actuator size Ø [mm]	Pilot pressure [bar]	Max. operating pressure [bar]	Item no. mech. polished, Ra $\leq$ 0.8 µm	Item no. electro polished, Ra $\leq$ 0.6 µm	
	[mm]	[inch]									
<b>Control function A</b>  2/2-way, NC by spring return	<b>Acc. DIN 11850</b>										
	Diaphragm material EPDM										
	Series 0										
	4	-	8	6.0	0.8	40	5.0-7	10	443 769	443 770	
	6	-	8	8.0	0.8	40	5.0-7	10	443 773	443 774	
	Series 2										
	10	3/8"	8	13.0	1.0	40	5.0-7	10	441 231	441 232	
	15	1/2"	15	19.0	4.0	50	5.0-7	8.5	441 274	441 275	
	20	3/4"	20	23.0	7.0	63	5.5-7	10	441 313	441 314	
	25	1"	25	29.0	12.0	80	5.5-7	10	441 356	441 357	
	40	1 1/2"	40	41.0	30.0	100	5.5-7	6.5	441 414	441 415	
	50	2"	50	53.0	51.5	125	5.5-7	8	441 469	441 470	
	Diaphragm material PTFE/EPDM										
	Series 0										
	4	-	8	6.0	0.8	40	5.0-7	10	443 777	443 778	
	6	-	8	8.0	0.8	40	5.0-7	10	443 781	443 782	
	Series 2										
	10	3/8"	8	13.0	1.0	40	5.0-7	10	441 778	441 779	
	15	1/2"	15	19.0	4.5	63	5.0-7	10	441 794	441 795	
	20	3/4"	20	23.0	7.5	80	5.0-7	10	441 866	441 867	
	25	1"	25	29.0	12.0	80	5.5-7	7.5	441 885	441 886	
	40	1 1/2"	40	41.0	30.5	125	5.5-7	10	441 901	441 902	
	50	2"	50	53.0	51.5	125	5.5-7	7	441 956	441 957	

**i** Further versions on request

**>** **Additional**  
 Versions with reduced spring force

Ordering chart for valves (other versions on request)

Body with clamp connection

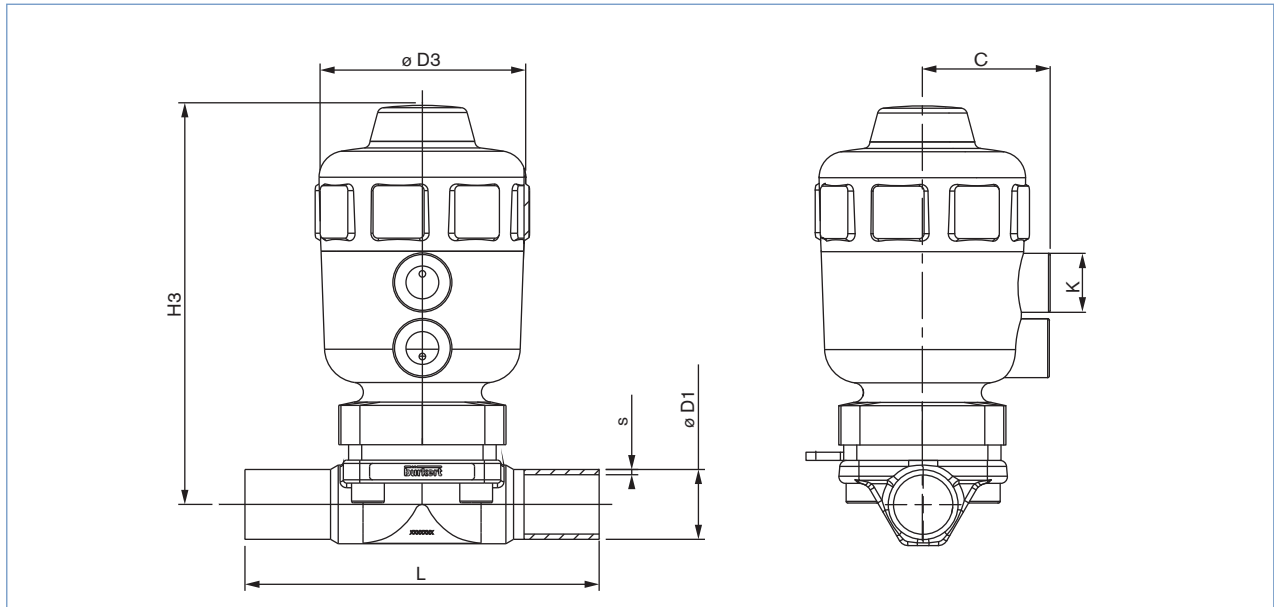
	Port connection DN		Orifice (Diaphragm size) [mm]	External Ø [mm]	Kv-value water [m³/h]	Actuator size Ø [mm]	Pilot pressure [bar]	Max. operating pressure [bar]	Item no. mech. polished, Ra < 0.8 µm	Item no. electro polished, Ra < 0.6 µm	
	[mm]	[inch]									
<b>Control function A</b>  2/2-way, NC by spring return	<b>Acc. ISO 2852 – SMS 3017</b>										
	Diaphragm material EPDM										
	25	1"	25	50.5	12.0	80	5.5-7	10	441 384	441 385	
	40	1 1/2"	40	50.5	30.0	100	5.5-7	6.5	441 442	441 443	
	50	2"	50	64.0	51.5	125	5.5-7	8	441 497	441 498	
	Diaphragm material PTFE/EPDM										
	25	1"	25	50.5	12.0	80	5.5-7	7.5	442 076	442 077	
	40	1 1/2"	40	50.5	30.5	125	5.5-7	10	442 080	442 081	
	50	2"	50	64.0	51.5	125	5.5-7	7	442 084	442 085	
	<b>Acc. DIN 32676</b>										
	Diaphragm material EPDM										
	15	1/2"	15	34.0	4.0	50	5.0-7	8.5	441 294	441 295	
	20	3/4"	20	34.0	7.0	63	5.5-7	10	441 333	441 334	
	25	1"	25	50.5	12.0	80	5.5-7	10	441 380	441 381	
	40	1 1/2"	40	50.5	30.0	100	5.5-7	6.5	441 438	441 439	
	50	2"	50	64.0	51.5	125	5.5-7	8	441 493	441 494	
	Diaphragm material PTFE/EPDM										
	15	1/2"	15	34.0	4.5	63	5.0-7	10	442 041	442 042	
	20	3/4"	20	34.0	7.5	80	5.0-7	10	442 045	442 046	
	25	1"	25	50.5	12.0	80	5.5-7	7.5	442 049	442 050	
	40	1 1/2"	40	50.5	30.5	125	5.5-7	10	442 053	442 054	
	50	2"	50	64.0	51.5	125	5.5-7	7	442 057	442 058	
	<b>Acc. BS 4825</b>										
	Diaphragm material EPDM										
	8	1/4"	8	25.0	1.0	40	5.0-7	10	441 247	441 248	
	10	3/8"	8	25.0	1.0	40	5.0-7	10	441 255	441 256	
	15	1/2"	15	25.0	4.0	50	5.0-7	8.5	441 337	441 338	
	25	1"	25	50.5	12.0	80	5.5-7	10	441 388	441 389	
40	1 1/2"	40	50.5	30.0	100	5.5-7	6.5	441 446	441 447		
50	2"	50	64.0	51.5	125	5.5-7	8.0	441 501	441 502		
Diaphragm material PTFE/EPDM											
8	3/8"	8	25.0	1.0	40	5.0-7	10	441 987	441 988		
10	1/2"	8	25.0	1.0	40	5.0-7	10	441 991	441 992		
15	3/4"	15	25.0	4.5	63	5.0-7	10	441 995	441 996		
25	1"	25	50.5	12.0	80	5.5-7	7.5	441 999	442 000		
40	1 1/2"	40	50.5	30.5	125	5.5-7	10	442 003	442 004		
50	2"	50	64.0	51.5	125	5.5-7	7.0	442 007	442 008		

**i Further versions on request**

**> Additional**  
 Versions with reduced spring force

Dimensions [mm]

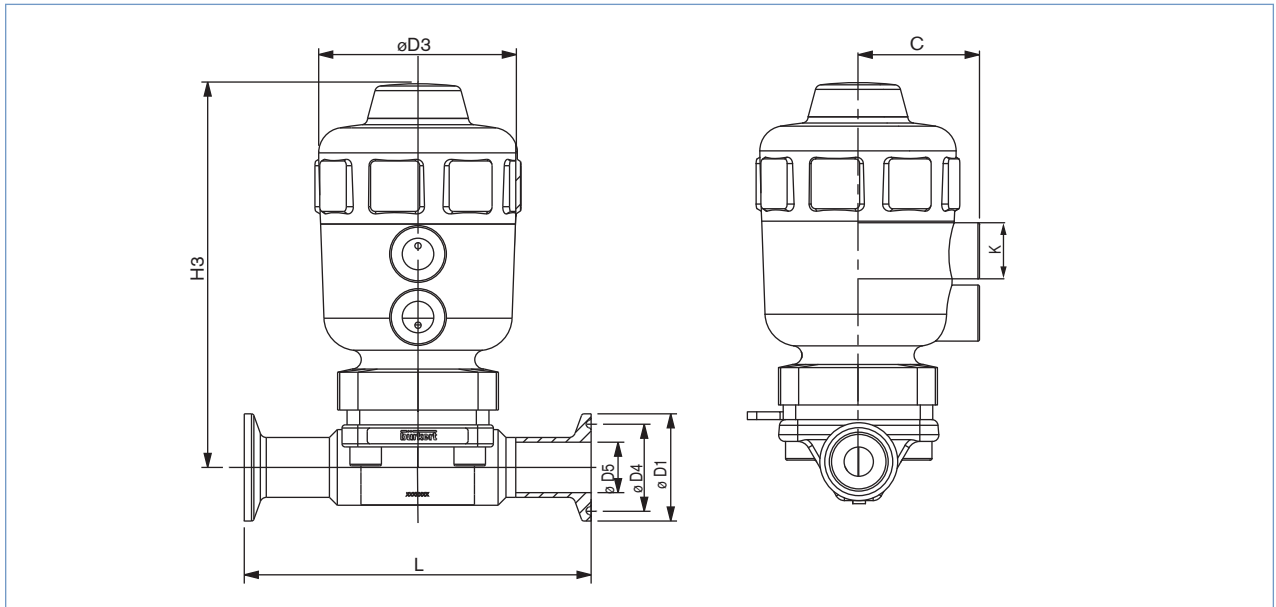
Body with weld end



Port connection		Actuator size		C	K	L	H3	ØD3	ØD1	s	ØD1	s
[mm]	[inch]	Ø	Ø									
<b>Acc. EN ISO 1127/ISO 4200 and SMS 3008</b>									<b>EN ISO 1127/ISO 4200</b>		<b>SMS 3008</b>	
8	1/4"	40	40	34	G 1/8	90.0	85.0	53.0	13.5	1.6	-	-
10	3/8"	40	40	34	G 1/8	90.0	85.0	53.0	17.2	1.6	-	-
15	1/2"	50	50	39	G 1/8	110.0	121.0	64.0	21.3	1.6	-	-
		63	63	52	G 1/4	110.0	138.0	80.0	21.3	1.6	-	-
20	3/4"	63	63	52	G 1/4	119.0	148.0	80.0	26.9	1.6	-	-
		80	80	60	G 1/4	119.0	174.0	101.0	26.9	1.6	-	-
25	1"	63	63	52	G 1/4	129.0	157.0	80.0	33.7	2.0	25.0	1.2
		80	80	60	G 1/4	129.0	177.0	101.0	33.7	2.0	25.0	1.2
32	1 1/4"	100	100	73	G 1/4	161.0	233.0	127.0	42.4	2.0	-	-
		125	125	86	G 1/4	161.0	272.0	153.0	42.4	2.0	-	-
40	1 1/2"	100	100	73	G 1/4	161.0	233.0	127.0	48.3	2.0	38.0	1.2
		125	125	86	G 1/4	161.0	272.0	153.0	48.3	2.0	38.0	1.2
50	2"	100	100	73	G 1/4	192.0	244.0	127.0	60.3	2.0	51.0	1.2
		125	125	86	G 1/4	192.0	278.0	153.0	60.3	2.0	51.0	1.2
<b>Acc. to DIN 11850</b>									<b>DIN 11850</b>			
Series 0												
4	-	40	40	34	G 1/8	90.0	85.0	53.0	6.0	1.0		
6	-	40	40	34	G 1/8	90.0	85.0	53.0	8.0	1.0		
Series 2												
10	3/8"	40	40	34	G 1/8	90.0	85.0	53.0	13.0	1.5		
15	1/2"	50	50	39	G 1/8	110.0	121.0	64.0	19.0	1.5		
		63	63	52	G 1/4	110.0	138.0	80.0	19.0	1.5		
20	3/4"	63	63	52	G 1/4	119.0	148.0	80.0	23.0	1.5		
		80	80	60	G 1/4	119.0	174.0	101.0	23.0	1.5		
25	1"	63	63	52	G 1/4	129.0	157.0	80.0	29.0	1.5		
		80	80	60	G 1/4	129.0	177.0	101.0	29.0	1.5		
40	1 1/2"	100	100	73	G 1/4	161.0	233.0	127.0	41.0	1.5		
		125	125	86	G 1/4	161.0	272.0	153.0	41.0	1.5		
50	2"	100	100	73	G 1/4	192.0	244.0	127.0	53.0	1.5		
		125	125	86	G 1/4	192.0	278.0	153.0	53.0	1.5		

## Dimensions [mm]

## Body with clamp connection



Port connection		Actuator size Ø	C	K	L	H3	ØD3	ØD1	ØD4	ØD5	ØD5
[mm]	[inch]										
<b>Acc. ISO 2852/SMS 3017 and SMS 3008</b>										<b>ISO 2852</b>	<b>DIN 32676</b>
15	1/2"	50	39	G 1/8	110.0	121.0	64.0	34.0	27.5	-	16.0
		63	52	G 1/4	110.0	138.0	80.0	34.0	27.5	-	16.0
20	3/4"	63	52	G 1/4	119.0	148.0	80.0	34.0	27.5	-	20.0
		80	60	G 1/4	119.0	174.0	101.0	34.0	27.5	-	20.0
25	1"	63	52	G 1/4	129.0	157.0	80.0	50.5	43.5	22.6	26.0
		80	60	G 1/4	129.0	177.0	101.0	50.5	43.5	22.6	26.0
40	1 1/2"	100	73	G 1/4	161.0	233.0	127.0	50.5	43.5	35.6	38.0
		125	86	G 1/4	161.0	272.0	153.0	50.5	43.5	35.6	38.0
50	2"	100	73	G 1/4	192.0	244.0	127.0	64.0	56.5	48.6	50.0
		125	86	G 1/4	192.0	278.0	153.0	64.0	56.5	48.6	50.0
<b>Acc. BS 4825</b>										<b>BS 4825</b>	
8	3/8"	40	34	G 1/8	89.0	85.0	53.0	25.0	20.22	7.1	
10	1/2"	40	34	G 1/8	89.0	85.0	53.0	25.0	20.22	10.3	
15	3/4"	50	39	G 1/8	102.0	121.0	64.0	25.0	20.22	16.7	
		63	52	G 1/4	102.0	138.0	80.0	25.0	20.22	16.7	
25	1"	63	52	G 1/4	114.0	157.0	80.0	50.5	43.5	22.2	
		80	60	G 1/4	114.0	177.0	101.0	50.5	43.5	22.2	
40	1 1/2"	100	73	G 1/4	140.0	233.0	127.0	50.5	43.5	34.9	
		125	86	G 1/4	140.0	272.0	153.0	50.5	43.5	34.9	
50	2"	100	73	G 1/4	159.0	244.0	127.0	64.0	56.5	47.6	
		125	86	G 1/4	159.0	278.0	153.0	64.0	56.5	47.6	



Ordering information for valve system On/Off Classic Type 8801-DB/8803-DB

A valve system On/Off Classic Type 8801-DB/8803-DB consists of a diaphragm valve Type 2031 and a valve actuation system control head Type 8691, a pneumatic control unit Type 8690 or an electrical position feedback Type 1062 (see separate datasheets).

For the configuration of further valve systems please use the "Request for quotation" on p. 13 [go to page](#)  
You order two components and receive a complete assembled and certified valve.

Ordering the valve system On/Off Classic Type 8801-DB/8803-DB

Diaphragm valve Type 2031  
with required port connection

Control units



Diaphragm valve with  
desired control unit



Valve system  
On/Off Classic  
Type 8801-DB-H  
2031 + 8691



Valve system  
On/Off Classic  
Type 8801-DB-K  
2031 + 8690



Valve system  
On/Off Classic  
Type 8803-DB  
2031 + 1062

When you click on the orange box "More info." below, you will come to our website for the resp. product where you can download the datasheet.

Control head Type 8691



More info.

The new generation of integrated control heads for combination with actuators from the process valve series Type 20xx/21xx is specially designed for the requirements of hygienic process environments. The intelligent control head, Type 8691, detects the valve position by means of a contact-free analog position sensor circumventing excessive wear of mechanical parts. Single or double-acting actuators are controlled via the integral pilot valve. Communication interfaces AS-Interface and DeviceNet are available as options.

Main customer benefits:

- Automatic setting of the control head at the push of a button
- Even under dirty or dark environments, a clearly visible status display due to powerful LEDs
- Monitoring and diagnosis: Process valve systems with field bus interface used in modern plant processes
- Integrated pilot valve with manual actuation
- Air intake filter enhances the process valve system availability
- Simple and reliable actuator adaptations allowing additional actuators of the process valve series, Type 20xx or actuators from other manufacturers to be used

Pneumatic control unit  
Type 8690



More info.

The new generation of integrated controllers for combination with actuators from the process valve series Type 20xx/21xx is specially designed for the requirements of hygienic process environments. The pneumatic control unit Type 8690 combines electrical position feedback and pneumatic control for single or double-acting actuators, and is also optionally available as an intrinsically safe model to ATEX.

Main customer benefits:

- Integrated pilot valve with manual actuation
- Air intake filter enhances the process valve system availability
- Simple and reliable actuator adaptations allowing additional actuators of the process valve series, Type 20xx or actuators from other manufacturers to be used

Electrical position feedback  
Type 1062



More info.

Positions are electrically signaled according to switch type:

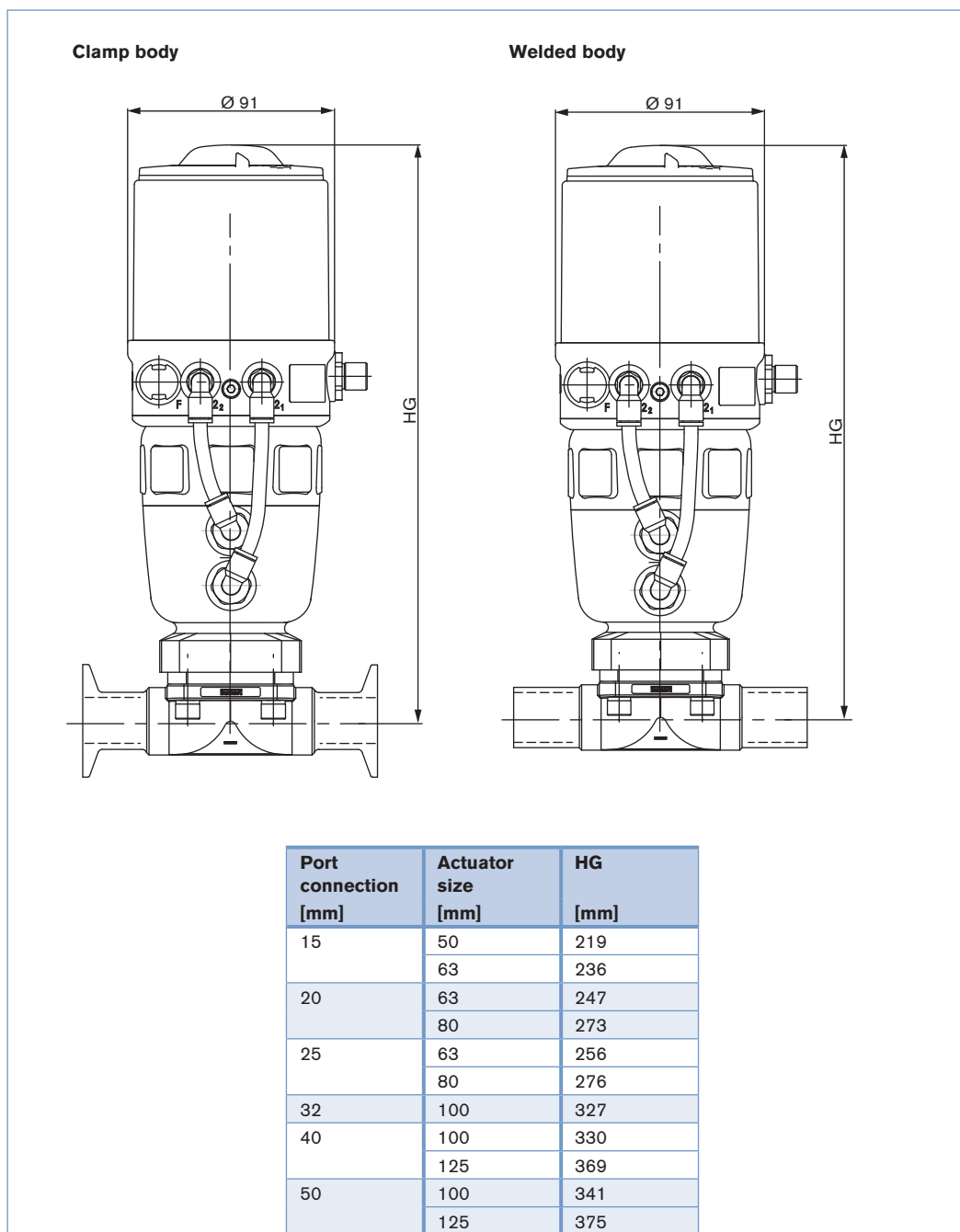
- open,
- closed or
- open and closed.

LEDs provide optical position indication (except for Namur Ex-version). Mechanical or inductive switches are housed in a compact splash-proof enclosure. The position indicator can be rotated 360° and is easily fitted to the valve. Trip cams do not require adjustment. The unit only needs to be screwed on and connected to be ready for operation.

Dimensions for valve system On/Off Classic Type 8801-DB-H [mm]

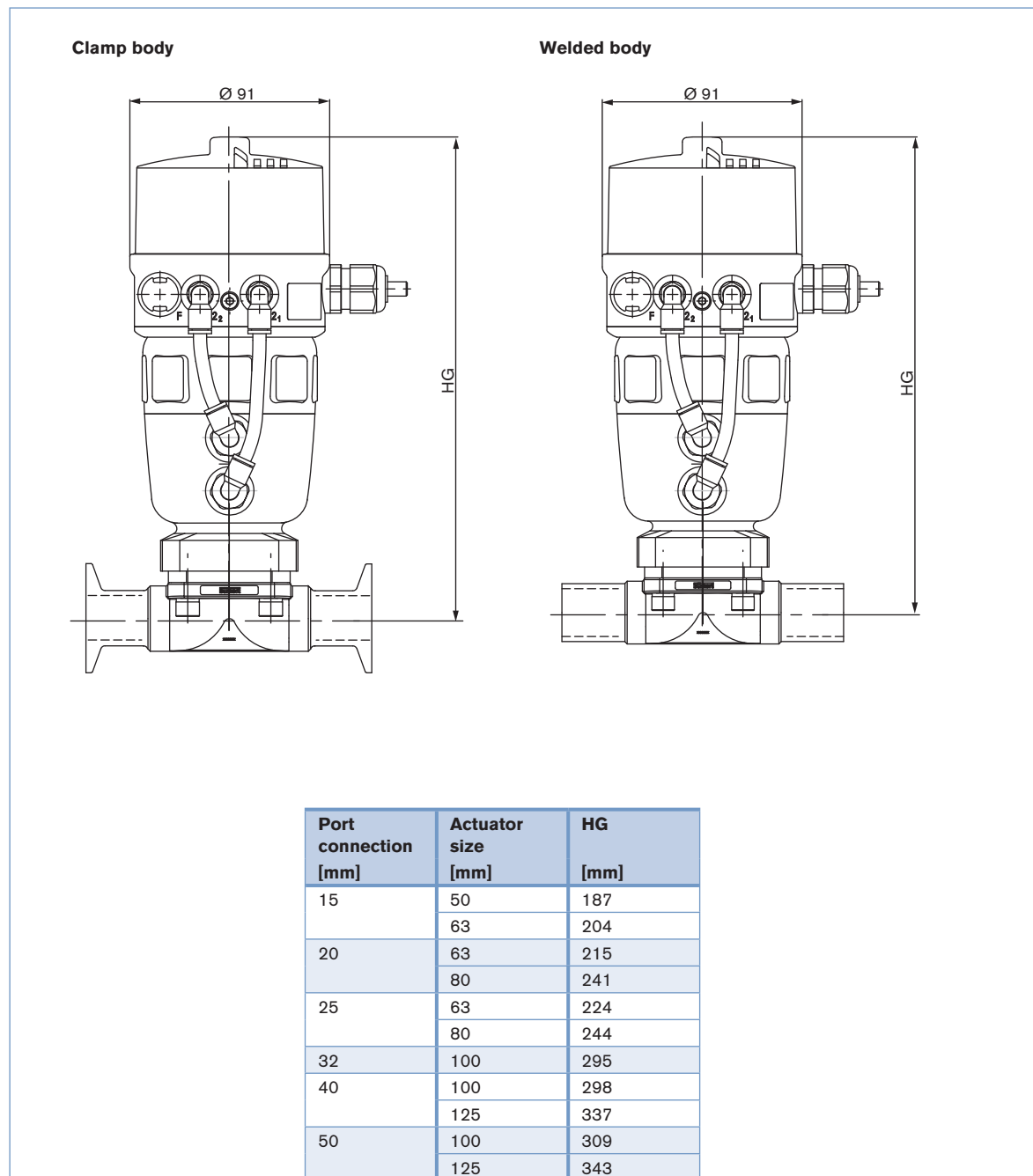
Dimensions valve system On/Off Classic Type 8801-DB-H with control head Type 8691 [mm]

013



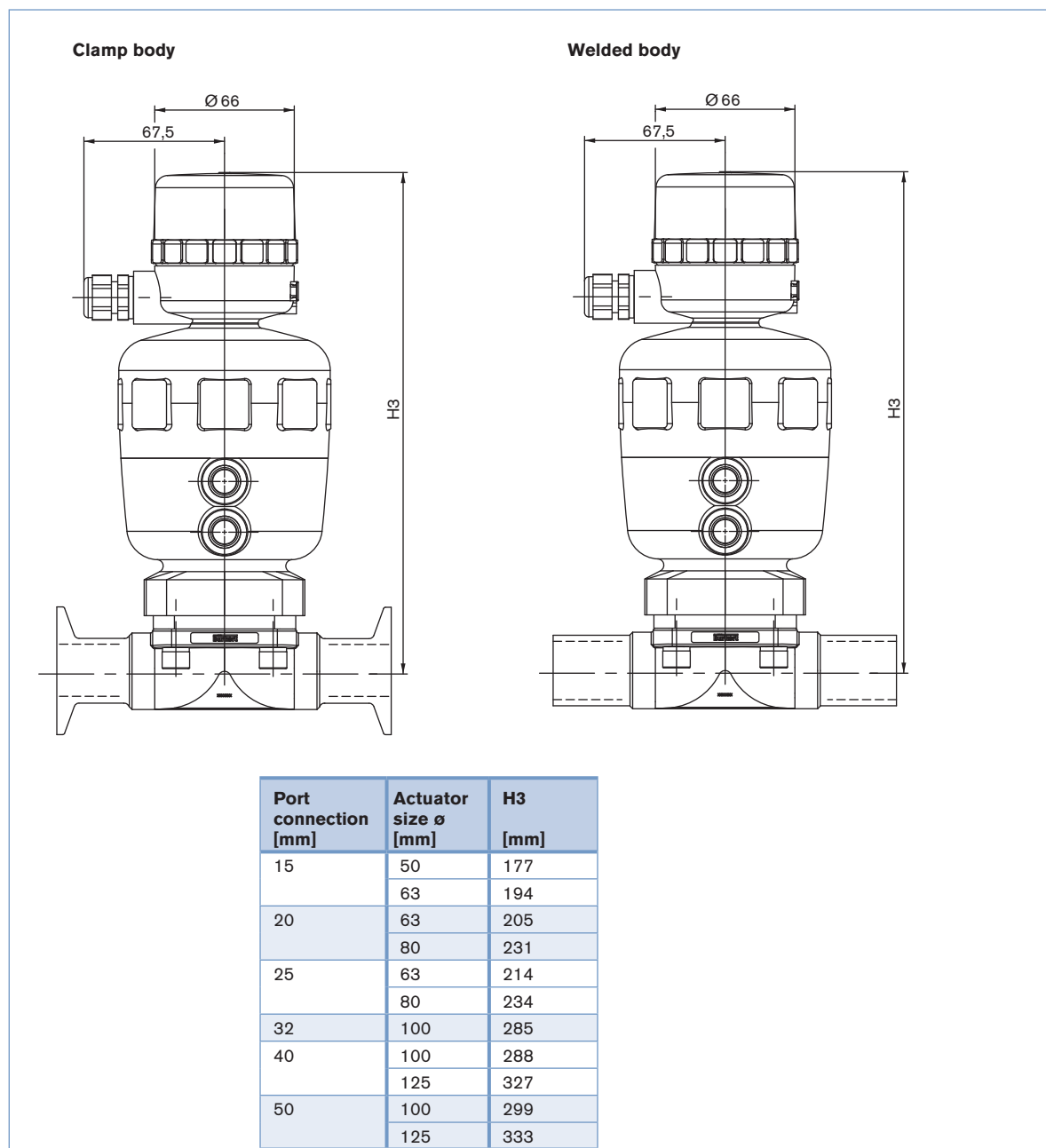
Dimensions for valve system On/Off Classic Type 8801-DB-K [mm]

Dimensions valve system On/Off Classic Type 8801-DB-K with pneumatic control unit Type 8690 [mm]



Dimensions for valve system On/Off Classic Type 8803-DB [mm]

Dimensions valve system On/Off Classic Type 8803-DB with electrical position feedback Type 1062 [mm]



**Note**  
You can fill out the fields directly in the PDF file before printing out the form.

**Valve system On/Off Classic Type 8801-DB/8803-DB – request for quotation**

Please fill out and send to your nearest Bürkert facility\* with your inquiry or order

Company	Contact person
Customer no.	Department
Address	Tel./Fax
Postcode/town	E-Mail

= mandatory fields to fill out       Quantity       Required delivery date

**Operating data**

Pipeline	DN	<input type="text"/>	PN	<input type="text"/>
Pipe material	<input type="text"/>			
Process medium	<input type="text"/>			
Type of medium	<input type="checkbox"/> Liquid	<input type="checkbox"/> Steam	<input type="checkbox"/> Gas	
	standard	unit		
Flow rate (Q, Q <sub>N</sub> , W) <sup>1)</sup>	<input type="text"/>	<input type="text"/>		
Temperature at valve inlet	<input type="text"/>	<input type="text"/>		
Absolute pressure at valve inlet	<input type="text"/>	<input type="text"/>		
Steam sterilisation	temperature	<input type="text"/>		

<sup>1)</sup> standard unit: Liquid Q = m<sup>3</sup>/h; Steam W = kg/h; Gas Q<sub>N</sub> = Nm<sup>3</sup>/h

**Valve features**

**Specification key**

automatically transferred from last page

[go to page](#)

<input type="checkbox"/>	<input type="checkbox"/>	<input type="checkbox"/>	<input type="checkbox"/>	<input type="checkbox"/>	<input type="checkbox"/>	<input type="checkbox"/>	<input type="checkbox"/>	<input type="checkbox"/>
--------------------------	--------------------------	--------------------------	--------------------------	--------------------------	--------------------------	--------------------------	--------------------------	--------------------------

Surface finish (if not standard)

internal  μm      external  μm

Pilot pressure

min.       max.

**Control unit features**

Click on the orange box "More info." below... you will come to our website for the resp. product where you can download the datasheet.

Control head	Pneumatic control unit	Electrical position feedback
<input type="checkbox"/> <b>Type 8691</b> <span style="background-color: orange; color: white; padding: 2px;">More info.</span>	<input type="checkbox"/> <b>Type 8690</b> <span style="background-color: orange; color: white; padding: 2px;">More info.</span>	<input type="checkbox"/> <b>Type 1062</b> <span style="background-color: orange; color: white; padding: 2px;">More info.</span>
<b>Pneumatic function</b> <input type="checkbox"/> Single-acting <input type="checkbox"/> Double-acting  <b>Pilot air ports</b> <input type="checkbox"/> Push-in connector external ø 6 mm or 1/4" <input type="checkbox"/> Thread G 1/8"  <b>Communication</b> <input type="checkbox"/> ASI <input type="checkbox"/> Multipol M12 <input type="checkbox"/> Flat cable clip, 1 m cable <input type="checkbox"/> DeviceNet  <b>Please specify item no. if known:</b> <input type="text"/>	<b>Pneumatic function</b> <input type="checkbox"/> Single-acting <input type="checkbox"/> Double-acting <input type="checkbox"/> Without pilot valve  <b>Position feedback</b> <input type="checkbox"/> 1x inductive <input type="checkbox"/> 2x inductive <input type="checkbox"/> 1x inductive (NAMUR) <input type="checkbox"/> 2x inductive (NAMUR) <input type="checkbox"/> 1x mechanical <input type="checkbox"/> 2x mechanical  <b>Supply voltage</b> <input type="checkbox"/> 24 V / DC (ATEX Zone 2/22) <input type="checkbox"/> Ex ia IIC T6 (ATEX Zone 1)  <b>Pilot air ports</b> <input type="checkbox"/> Push-in connector <input type="checkbox"/> Thread G 1/8" external ø 6 mm or 1/4"  <b>Please specify item no. if known:</b> <input type="text"/>	<b>Limit switches</b> <input type="checkbox"/> mechanical <input type="checkbox"/> Voltage 12-48 V <input type="checkbox"/> Voltage 110-250 V <input type="checkbox"/> inductive <input type="checkbox"/> NAMUR EExi  <b>Status</b> <input type="checkbox"/> closed <input type="checkbox"/> open <input type="checkbox"/> open/closed  <b>Please specify item no. if known:</b> <input type="text"/>

continued on next page →

Valve system On/Off Classic Type 8801-DB/8803-DB – request for quotation, *cont.*

Control unit features	
<b>Pilot valve</b>	<b>Stroke limitation</b>
<input type="checkbox"/> Pilot valve	<input type="checkbox"/> Stroke limitation
Power supply <input type="text"/>	<input type="checkbox"/> <b>Min./max. stroke limitation</b> , with visual position indicator
	<input type="checkbox"/> <b>Max. stroke limitation</b> , without visual position indicator
Please specify item no. if known: <input type="text"/>	Please specify item no. if known: <input type="text"/>

Certifications
<input type="checkbox"/> Attestation of compliance with the order EN-ISO 10204 2.1 (Item-No. 440 788)
<input type="checkbox"/> Test report EN-ISO 10204 2.2 (Item-No. 803 722)
<input type="checkbox"/> Certification of Conformity for Raw Material EN-ISO 10204 3.1 (Item-No. 803 723)
<input type="checkbox"/> EN161 (European Gas Device guideline)
<input type="checkbox"/> FDA - USP certificate

Comment / sketch

Valve features, specification key

Example

A 15 AB VG SA42 D D NO16

Specification key

Please make a choice

CONTROL FUNCTION

A	normally closed by spring action
B	normally open by spring action
I	double acting

ORIFICE (Diaphragm size) [mm]

08
15
20
25
40
50

SEAL MATERIAL

AB	EPDM in food quality
EA	PTFE/EPDM
FF	FKM
EU	advanced PTFE/EPDM in two pieces
ET	advanced PTFE (bonded on EPDM)

BODY MATERIAL

Standard	VG	Cast stainless steel 316L/1.4435
----------	----	----------------------------------

VARIABLE CODES

Surface finish, internal

NO06	Mechanical polished Ra=0.8 µm
NO16	Electro polished Ra=0.6 µm

ACTUATOR SIZE <sup>1)</sup>

C	ø 40 mm
D	ø 50 mm
E	ø 63 mm
F	ø 80 mm
G	ø 100 mm
H	ø 125 mm

<sup>1)</sup> for technical spec. see table, page 2

ACTUATOR MATERIAL

C	PA	
D	PPS	Standard



PORT CONNECTION

Welded

Port conn. [mm]	EN ISO 1127/ISO 4200	SMS 3008	DIN 11850				BS 4825	ASME BPE	JIS Sanitary	JIS Utility
			Serie 0	Serie 1	Serie 2	Serie 3				
4			SC40=6x1.0							
6			SC41=8x1.0							
8	SA40=13.5x1.6		SC42=10x1.0				SODB=6.35x1.2	SA90=6.35x0.89	SA70=13.8x1.65	
10	SA41=17.2x1.6			SF40=12x1.0	SD40=13x1.5	SE40=14x2.0	SODC=9.53x1.2	SA91=9.53x0.89	SA71=17.3x1.65	
15	SA42=21.3x1.6		SC43=18x1.5	SF41=18x1.0	SD42=19x1.5	SE42=20x2.0	SODD=12.7x1.2	SA92=12.7x1.65	SA72=21.7x2.1	
20	SA43=26.9x1.6		SC44=22x1.5	SF42=22x1.0	SD43=23x1.5	SE43=24x2.0	SODE=19.05x1.2	SA93=19.05x1.65	SA76=27.2x2.1	
25	SA44=33.7x2.0	SA60=25.0x1.2	SC45=28x1.5	SF43=28x1.0	SD44=29x1.5	SE44=30x2.0	SODF=25.4x1.65	SODF=25.4x1.65	SA73=25.4x1.65	
32	SA45=42.4x2.0		SC46=34x1.5	SF44=34x1.0	SD45=35x1.5	SE45=36x2.0				
40	SA46=48.3x2.0	SA62=38.0x1.2	SC47=40x1.5	SF45=40x1.0	SD46=41x1.5	SE46=42x2.0	SODH=38.1x1.65	SODH=38.1x1.65	SA74=38.1x1.2	
50	SA47=60.3x2.0	SA63=51.0x1.2	SC48=52x1.5	SF46=52x1.0	SD47=53x1.5	SE47=54x2.0	SODI=50.8x1.65	SODI=50.8x1.65	SA75=50.8x1.5	

Clamp

Port conn. [mm]	ISO 2852 SMS 3017	BS4825	DIN 32676
8	TC51=Clamp 34 - for tube ISO 4200	TG41=Clamp 25 - Rohr 9.53x1.2	
10	TC41=Clamp 34 - for tube ISO 4200	TH42=Clamp 25 - Rohr 12.7x1.2	TD41=Clamp 34 - Tube 13x1.5
15	TC42=Clamp 34 - for tube ISO 4200	TH43=Clamp 25 - Rohr 19.05x1.2	TD42=Clamp 34 - Tube 19x1.5
20	TC43=Clamp 50.5 - for tube ISO 4200		TD43=Clamp 34 - Tube 23x1.5
25	TC44=Clamp 50.5 - for tube ISO 4200	TG44=Clamp 50.5 - Rohr 25.4x1.65	TD44=Clamp 50.5 - Tube 29x1.5
40	TC46=Clamp 64 - for tube ISO 4200	TG45=Clamp 50.5 - Rohr 38.1x1.65	TD46=Clamp 50.5 - Tube 41x1.5
50	TC47=Clamp 77.5 - for tube ISO 4200	TG46=Clamp 64 - Rohr 50.8x1.65	TD47=Clamp 64 - Tube 53x1.5