

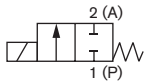
## 2/2-way Solenoid Valve for neutral mediums

- Direct acting
- G 1/8" and G 1/4"
- Normally closed
- Ex e mb IIC T4 Gb

Compact 2/2-way solenoid valve in threaded version, direct acting, with epoxy encapsulated coil. For neutral mediums such as compressed air, inert gases, heating gases, water and oils. For shut off, dosing, filling and ventilation. A compact universal valve for low flow rates.

### Circuit function A

Normally closed

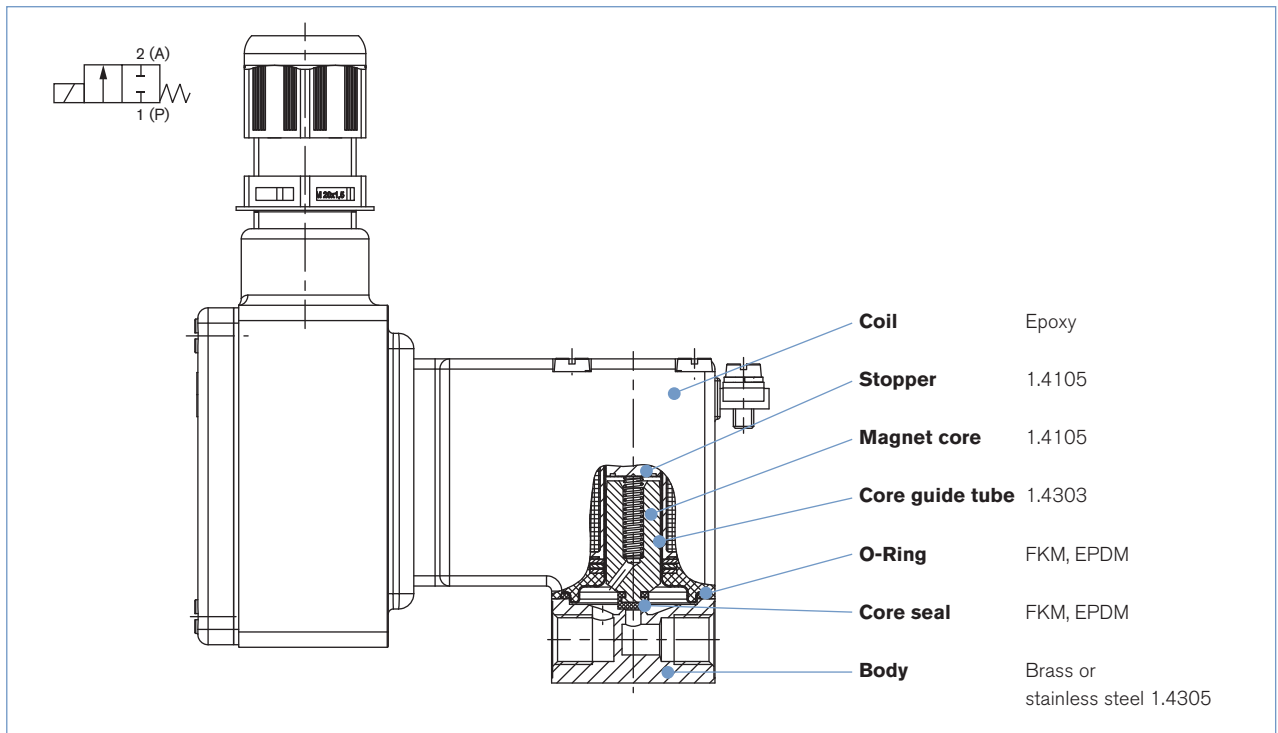


Technical data	
<b>Orifice</b>	1,5; 2; 2,5;3; 4
<b>Port connection</b>	G 1/8", G 1/4", NPT 1/8", NPT 1/4"
<b>Body material</b>	brass, stainless steel
<b>Internal parts</b>	1.4105, 1.4303
<b>Seal material</b>	EPDM, FKM
<b>Medium</b>	
FKM	neutral gases and liquids like e.g. compressed air, town gas, water, hydraulic oil
EPDM	oil and fat free medium, warm water
<b>Mediums temperature</b>	-10 °C to +60 °C
<b>Response times <sup>1)</sup></b>	
Opening times	ca. 30 ms
Closing times	ca. 60 ms
<b>Cycling rate</b>	approximately 600 cycles/min
<b>Installation</b>	as required (preferably with solenoid system upright)
<b>Type of protection</b>	II 2 G Ex e mb IIC T4, PTB02 ATEX 2094 X Ex mb e II T4, IECEx PTB 09.0064 X
<b>Power consumption</b>	7 W (operating temperature)
<b>Ambient temperature</b>	Max. +60 °C, single mounting
<b>Voltage</b>	024/UC 230/UC others on request
<b>Duty cycle</b>	Continuous operation
<b>Voltage tolerance</b>	±10%
<b>Elect. Connection</b>	Terminal box without fuse, screwed, Cable outlet upright

<sup>1)</sup> Measured at valve outlet at 6 bar and +20 °C.

Opening: pressure rise 0 to 90%, closing: pressure drop 100 to 10%

## Circuit function A



## Ordering chart

Version acc. to **Ex e mb IIC T4**, all valves with FKM seal and **terminal box without fuse**, cable outlet upright; **only for single mounting** (ambient temperature -30 °C to +60 °C). without manual override; different housing materials; sealing material FKM

Circuit function	Orifice DN [mm]	Water kv value [m <sup>3</sup> /h] <sup>1)</sup>	Port connection	Pressure range <sup>2)</sup>	Coil power [W]	Voltage/ Frequency [V/Hz]	Item no. Brass body	Item no. Stainless steel body
<b>A</b> 2/2-way valve NC 	2.0	0.12	G 1/8	0-7	7	24/UC 230/UC	078 927	on request
							on request	on request
	2.0	0.12	G 1/4	0-7	7	24/UC 230/UC	265 570	265 580
							120 193	125 103
	2.5	0.16	G 1/8	0-5.5	7	24/UC 230/UC	on request	on request
							on request	on request
	3.0	0.23	G 1/8	0-4	7	24/UC 230/UC	on request	on request
							on request	on request
3.0	0.23	G 1/4	0-4	7	24/UC 230/UC	120 751	045 446	
						on request	041 669	
4.0	0.30	G 1/4	0-1	7	24/UC 230/UC	on request	on request	
						125 127	on request	

<sup>1)</sup> Measured at 6 bar inlet pressure and 1 bar pressure differential across the valve at a temperature of +20 °C

<sup>2)</sup> Also applies for technical vacuum.

Ordering Information: Device Type and order no. for these specifications also appear in the order confirmation, delivery notes and invoices.

### **i** Further versions on request

#### **⚡** Voltage

## Ordering chart accessories (middle delay fuse for Types with coil 0641)

Voltage [V]	Coil power [W]	Fuse nominal value [mA]	Item no.
24	7	800	153 737
230	7	80	153 745

Dimensions [mm]

