



## 2/2-way Solenoid Valve for neutral media up to +180°C, G 1/2 - G 2, flange

- Servo-piston with forced lifting
- Switches without differential pressure
- Temperatures up to + 180°C
- For neutral media, incl. steam
- Push-over coil system

Type 0407 can be combined with...



**Type 2508**

Cable plug



**Type 1078**

Timer unit



**Type 2511**

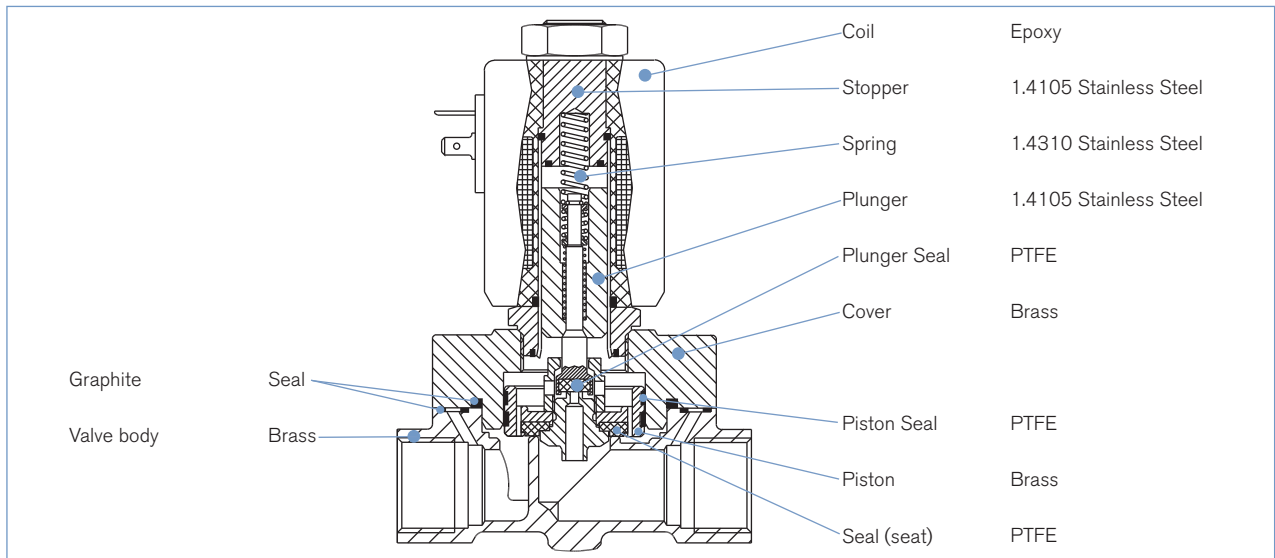
ASI cable plug

The Type 0407 is a pilot controlled solenoid valve with servo-piston and forced valve lifting, and is suitable for media temperatures up to +180°C. The valve opens without differential pressure from zero bar, and is closed by its own media pressure and spring force without power supply.

Technical data	
<b>Orifice</b>	DN 13 - 50 mm
<b>Body material</b>	Brass (grey cast iron on request)
<b>Coil material</b>	Epoxy
<b>Coil insulation class</b>	H
<b>Seal material</b>	PTFE/graphite
<b>Media</b>	Neutral media such as hot water and steam
<b>Media temperature</b>	-20 to +180 °C
<b>Ambient temperature</b>	Max. +55 °C
<b>Viscosity</b>	Max. 21 mm <sup>2</sup> /s
<b>Voltage tolerance</b>	±10%
<b>Duty cycle</b>	100% continuous rating
<b>Electrical connection</b>	Cable plug for Ø 7 mm cable, acc. to DIN EN 175301-803 Form A (supplied as standard)
<b>Protection class</b>	IP 65 with cable plug
<b>Installation</b>	As required, preferably with actuator upright

Orifice DN [mm]	Power consumption		
	Inrush AC [VA]	Hold (hot coil) AC [VA/W] UC [W]	
13 - 40	100	35/14	–
50	–	–	30

Materials



Ordering chart for valves (other versions on request)

Brass body, with cable plug

Circuit function	Port connection	Orifice [mm]	Kv value water [m <sup>3</sup> /h] <sup>1)</sup>	Pressure range [bar] <sup>2)</sup>	Item no. per voltage/frequency [V/Hz]		
					024/50	230/50	230/UC <sup>3)</sup>
<b>A</b> 2/2-way valve NC 	<b>Brass body, seal material PTFE/graphite</b>						
	G 1/2	13	3.7	0 - 10	021 598	615 637	-
	G 3/4	20	5.0	0 - 10	022 032	615 157	-
	G 1	25	10.0	0 - 10	021 620	615 638	-
	G 1 1/4	32	16.0	0 - 10	085 385	064 919	-
	G 1 1/2	40	16.0	0 - 10	085 392	085 394	-
	G 2	50	36.0	0 - 10	-	-	085 402

<sup>1)</sup> Measured at +20 °C, 1 bar<sup>2)</sup> pressure at valve inlet and free outlet.

<sup>2)</sup> Pressure data [bar]: Overpressure with respect to atmospheric pressure

<sup>3)</sup> With integrated rectifier in cable plug

**i** Further versions on request

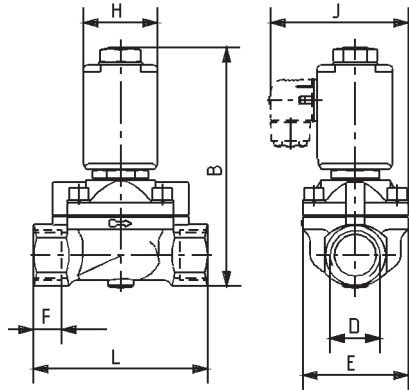
**⚡ Voltage**  
110/50, 24 V DC, non-standard voltages

**🔌 Port connection**  
NPT- thread, flange body acc. to DIN 2501

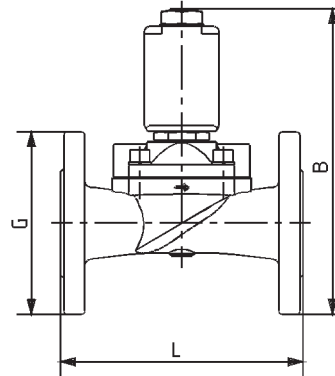
**👤 Approvals**  
UL / CSA approval

## Dimensions [mm]

Threaded port



Flange port acc. DIN 2501



DN	D	B	E	F	G	H	J	L
13	G 1/2	127	40	14	-	40	73	65
20	G 3/4	147	60	16	-	49	80.5	100
25	G 1	157	70	18	-	49	80.5	115
32	G 1 1/4	186	85	20	-	49	80.5	126
40	G 1 1/2	195	85	22	-	49	80.5	126
50	G 2	260	115	24	-	72	104.5	164
50	Flange	307.5	115	-	165	72	104.5	230