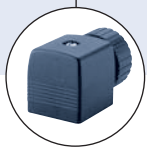


2/2-way Solenoid Valve for combustible gases, 0–150mbar



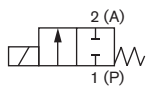
Type 0293 can be combined with...



Type 2508

Cable plug

Type 293 switches without pressure change from zero bar. The direct acting solenoid feed valve is delivered with circuit function A. It is normally closed. Upon switching the magnetic core is tightened against the spring and the valve opens. A filter is built-in to the inlet. The valve is especially good for switching low-pressure combustible gases.



Servo-assisted 2/2-way valve, direct acting, normally closed

- Direct acting (normally closed) Solenoid Valve
- Vibration resistant screw block coil construction
- Seal and diaphragm according to DIN EN 549
- Integrated filter

| Technical data | |
|--------------------------------------|---|
| Body material | Brass |
| Inner part valve | 1.4105:1.4571 |
| Seal materials | NBR |
| Medium for NBR | Flammable liquids such as gas, natural gas, liquid petroleum gas (LPG), acetylene, hydrogen |
| Medium temperature for NBR | -15 to +60 °C |
| Ambient temperature. | -15 to +60 °C |
| Ambient | Also open air (open cover recommended) |
| Port connection | Threaded ports G 3/4 and G1 |
| Special features | Sieve in inlet |
| Operating voltages | 230 V/50 Hz 230 V/UC |
| Voltage tolerance | ±10% |
| Cycling rate | ca. 100-150/min for AC ca. 10-15/min for UC |
| Duty cycle | 100% continuous rating |
| Electr. Connection | Cable plug for Ø 7 mm cable (included in delivery) |
| Protection class | IP 65 with cable plug |
| DVGW Approval | Group 2, class A |
| Fulfilled standards | DIN EN 161 |
| Installation | As required, preferably with actuator upright |

Further Technical Data

| Orifice [mm] | Port Connection | Kv-value water [m ³ /h] | Pressure range [mbar] | Response times | | Power consumption | | | | Weight [kg] |
|-----------------|--------------------|--|-----------------------------|-----------------|-----------------|----------------------|-----------|----------------------|-----------|----------------|
| | | | | Opening [ms] | Closing [ms] | Inrush AC [VA] | UC [W] | [VA] AC [VA/W] | UC [W] | |
| 20 | G 3/4 | 5.0 | 0 - 150 | 130 | 120 | 100 | 100 | 25/16 | 9 | 1.2 |
| 25 | G 1 | 10.0 | 0 - 150 | up to 250 | up to 150 | up to 120 | | | 1.7 | |

Flowrate: Kv value water [m³/h]

measured at +20°C, 1 bar pressure at valve inlet and free outlet

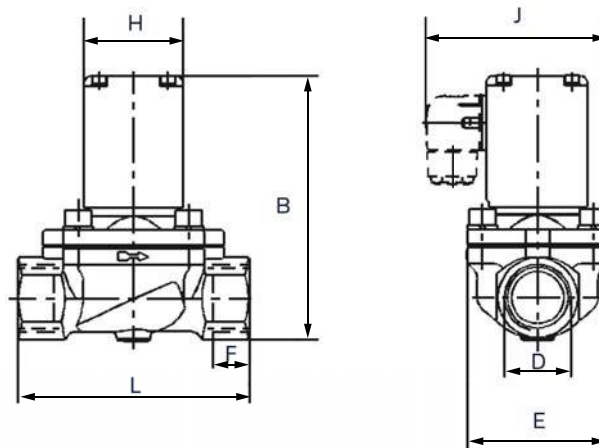
Pressure values [bar]

Overpressure with respect to atmospheric pressure

Measured at valve outlet at 6 bar and +20 °C

| | |
|---------|----------------------------|
| Opening | Pressure rise 0 to 90%, |
| Closing | pressure relief 100 to 10% |

Dimensions [mm] (other versions on request)



| DN | D | B | E | F | H | J | L |
|----|-------|-----|----|----|----|------|-----|
| 20 | G 3/4 | 122 | 60 | 16 | 49 | 86.5 | 100 |
| 25 | G 1 | 131 | 70 | 18 | 49 | 91.5 | 115 |

Ordering chart for valves (other versions on request)

All valves with brass body and cable plug

| Circuit function | Orifice [mm] | Port connection | Kv-value water [m ³ /h] | Q1n value air [l/min] | Pressure range [bar] | Remarks | Seal material | Coil power [W] | Voltage/Frequency [V/Hz] | Item no. |
|------------------|--------------|-----------------|------------------------------------|-----------------------|----------------------|---------------|---------------|----------------|--------------------------|----------|
| A | 20.0 | G 3/4 | 5.0 | 5400 | 0 - 0.15 | - | NBR | 16 | 230/50 | 079 637 |
| | | | | | | noise reduced | | 9 | 230/UC | 124 302 |
| | 25.0 | G 1 | 10.0 | 10800 | 0 - 0.15 | - | NBR | 16 | 230/50 | 077 577 |
| | | | | | | noise reduced | | 9 | 230/UC | 124 901 |