

Direct-acting, G 1/4



Advantages/Benefits

- ▶ Normally closed
- ▶ Body material: Brass
- ▶ Compact design
- ▶ Fluid temperatures up to 180 °C
- ▶ Coil replacement does not require fluid to be isolated

Design/Function

Type 253 is a 2/2 normally-closed plunger-type solenoid valve. When energized, the solenoid armature is pulled-in against a spring and the valve opens.

As a standard feature, the valve seat is made of stainless steel in order to avoid erosion.

The solenoid epoxy encapsulation efficiently dissipates the heat generated by the coil.

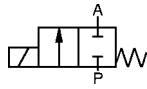
Applications

- Neutral gases and liquids, pneumatic control
- High temperatures, such as hot water, steam, hot air, thermal oils
- Heating
- Sterilizing
- Impregnating

Technical Data

Circuit Function

A 2/2-way valve,
normally closed



Body Material

Brass body, seat 1.4305 (DN 2), 1.4112 (DN 3)
Valve internals 1.4105, 1.4571

Specifications

Orifice DN [mm]	Kv-Value Water [m ³ /h]	Q _{Nn} -Value Air [l/min]	Pressure Range		Weight [kg]
			AC [bar]	DC [bar]	
2	0,120	140	-	0- 6	0,33
3	0,230	240	0- 6	0- 3	0,33

All pressures quoted are gauge pressures with respect to the prevailing atmospheric pressure.

Operating Data (Valve)

Seal Materials/Fluids Handled/Temp.- Range

PTFE Hot water, steam alkaline washing and
bleaching lyes, hot oils, carbon hydroxide
- 40 to +180 °C

For more detailed information see resistance chart
(Leaflet No.1896009).

Max. ambient temperature +55 °C

Max. viscosity 21 mm²/s

Response times opening: 20 ms
closing: 30 ms

Times measured at the outlet port A on energizing/de-
energizing until attainment of pressure rise to 90 % /
pressure drop to 10 % at a working pressure of 6 bar.

Port connection G 1/4

Operating Data (Actuator)

Operating voltages 24, 110, 230, 240 V/50 Hz
24 V/=

Voltage tolerance ±10 %

Power consumption AC 21 VA (inrush)
14 VA/8 W (hold)
DC 8 W

Duty cycle 100 % continuously operated

Cycling rate approx. 1000 c.p.m.

Rating cable plug or cable IP65

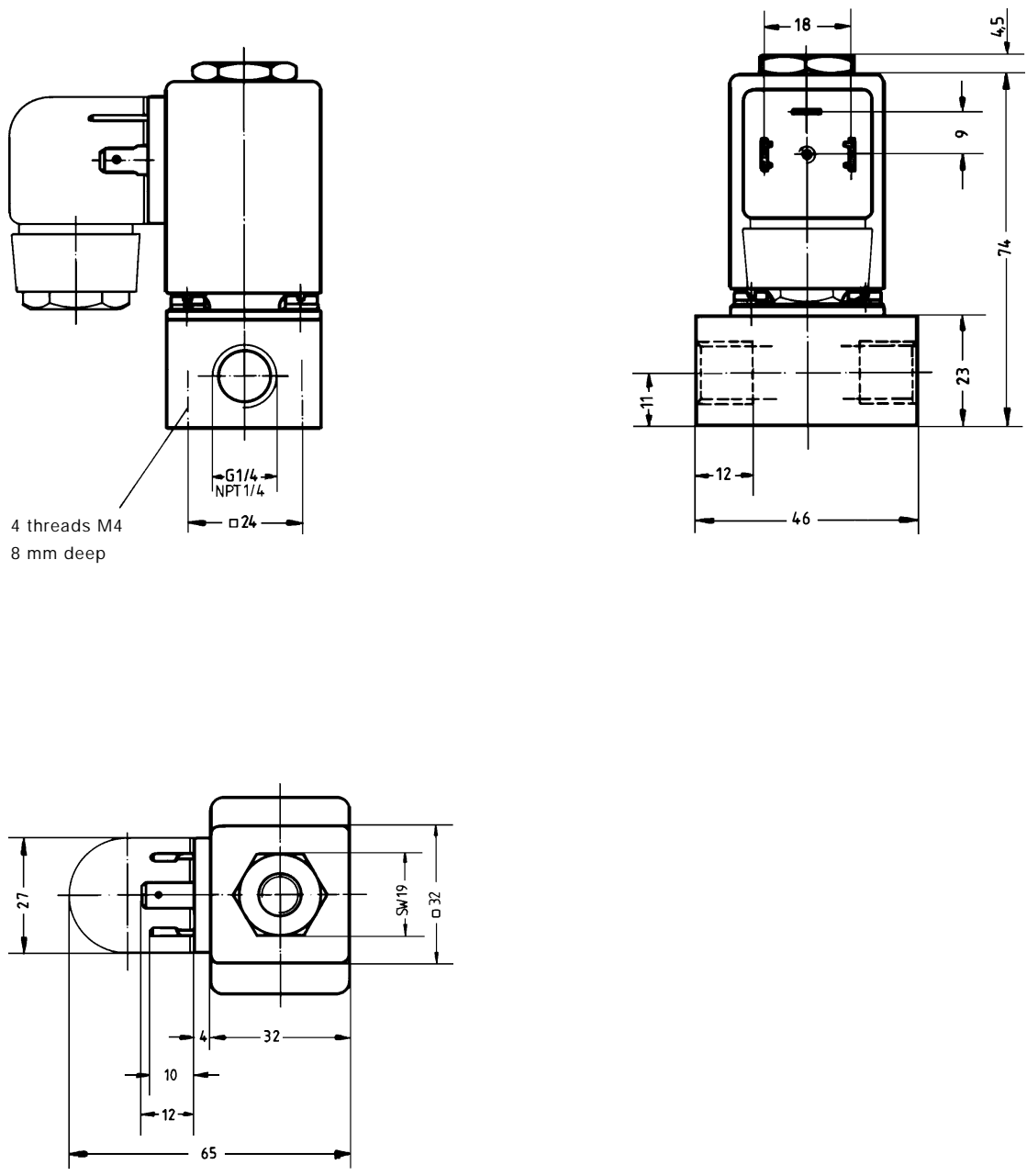
Installation /Accessories

Installation as required, but preferably
with solenoid system upright

Electrical connection

- cable plug for 7 mm ø cable (supplied as standard)
- moulded-in, temperature resistant cable (on request).

Dimensions in mm



Ordering Chart (Other Versions on Request)

Circuit Function	Orifice DN [mm]	Flow Rate		Port Connection [ISO 228]	Pressure Range [bar]	Body Material	Seal Material	Weight [kg]	Voltage/ Frequency [V/Hz]	Order-No.
		Water Kv-Value [m³/h]	Air QNn [l/min]							
A	02,0	0,12	140	G 1/4	0- 6	Brass	PTFE	0,33	024/=	023 096 G
	03,0	0,23	240	G 1/4	0- 6	Brass	PTFE	0,33	024/50	020 598 V ¹⁾
									024/50	018 242 H
					0- 3	Brass	PTFE	0,33	024/=	018 285 V
					0- 6	Brass	PTFE	0,33	110/50	018 014 Q
									230/50	068 579 M
									240/50	018 013 P

¹⁾ Without cable plug