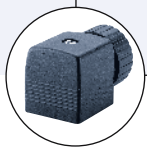


## 2/2-way Solenoid Valve for aggressive media, true union, Ø20-63

- Isolating diaphragm between the solenoid and fluid
- Non-metallic valve internals
- Pivoted armature, with lockable manual override
- Simple installation and removal

Type 0142 can be combined with...



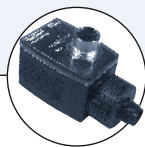
**Type 2508**

Cable plug



**Type 1078**

Timer unit



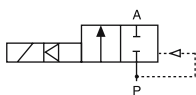
**Type 2511/12**

ASI cable plug

Servo-assisted solenoid valve with diaphragm, normally closed function. Hermetic isolation of fluid from the actuator. A minimum differential pressure of 0.5 bar is required to fully open the valve.

Valves can be mounted or removed radially for a space-saving installation.

### Circuit function A



2/2- way valve, normally closed, with 3-way pilot servo-assistance

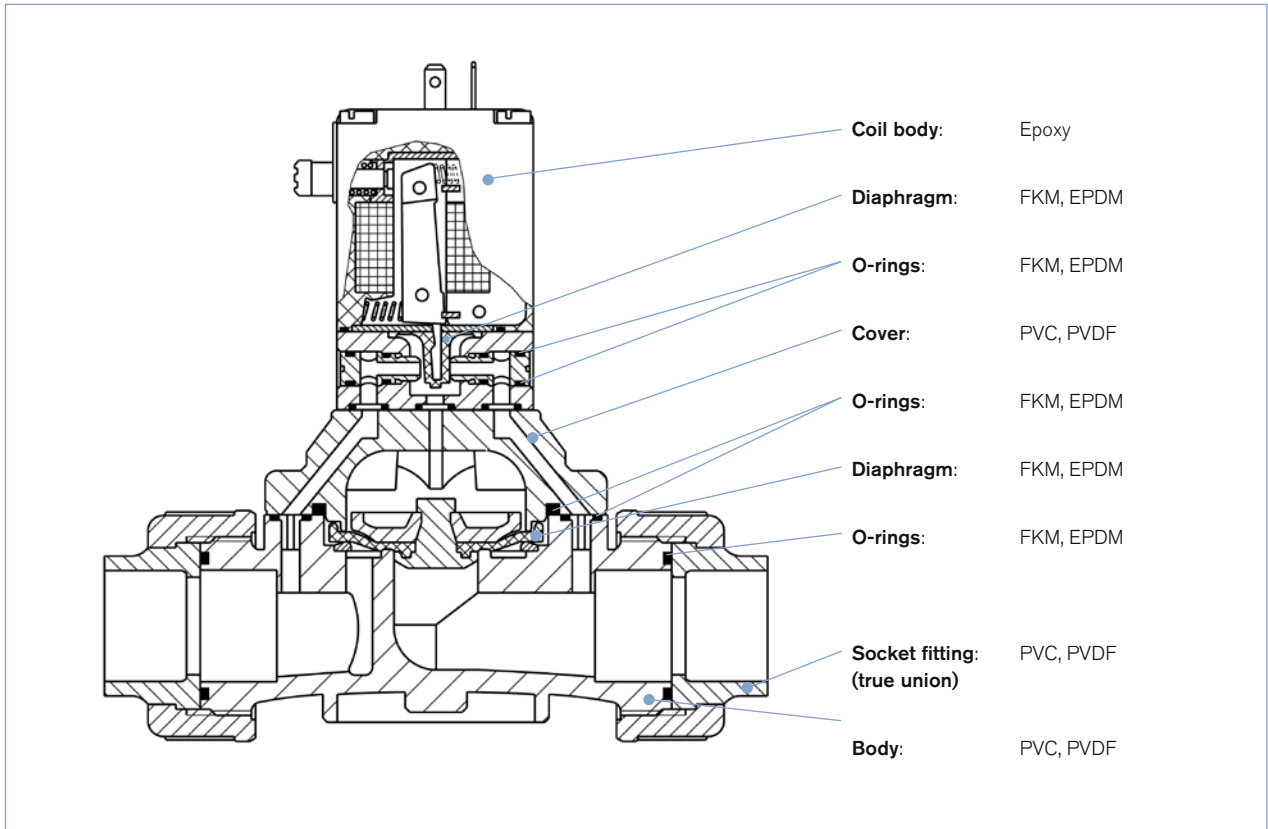
Technical data	
<b>Orifice</b>	DN 15 - 50
<b>Body material</b>	PVC, PVDF (on request)
<b>Inner part valve</b>	PVDF
<b>Seal material</b>	FKM, EPDM
<b>Media with EPDM with FKM</b>	Alkalis, alkaline washing and bleaching lyes Oxydizing acids and substances, salt solutions
<b>Media temperature</b> PVC-body PVDF-body	0 to +50°C 0 to +70°C
<b>Ambient temperature</b> PVC-body PVDF-body	0 to +40°C 0 to +55°C
<b>Voltage tolerance</b>	±10%
<b>Duty cycle</b>	100% continuous rating
<b>Electrical connection</b>	Cable plug for Ø 7 mm acc. to DIN EN 175301-803 Form A (supplied as standard)
<b>Protection class</b>	IP 65 with cable plug
<b>Coil insulation class</b>	Class H
<b>Port connection</b>	True union
<b>Installation</b>	as required, preferably with actuator upright

Power consumption			
Inrush		Hold (hot coil)	
AC [VA]	DC [W]	AC [VA/W]	DC [W]
20	5	11/5	5

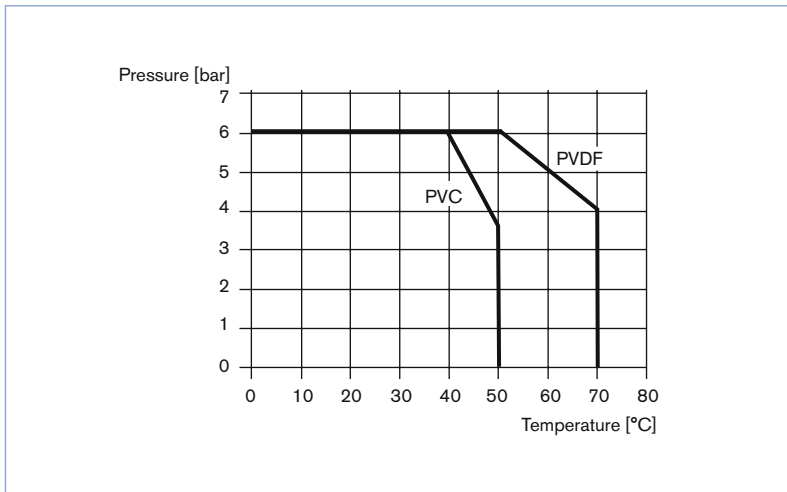
Response times <sup>1)</sup>	
Opening [ms]	100 - 800
Closing [ms]	1000 - 4000

<sup>1)</sup> Measured at valve outlet at 6 bar and +20°C acc. to ISO 12238.  
Opening: Pressure rise 0 to 90%, Closing: Pressure drop 100 to 10%

Materials

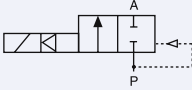


Pressure-Temperature-chart for PVC and PVDF




## Ordering chart for valves (other versions on request)


## PVC-body with cable plug and manual override


Circuit function	Port connection True union	Orifice (mm)	Kv-value water [m <sup>3</sup> /h]	Pressure range [bar]	Body material	Item no. per voltage/frequency [V/Hz]		
						024/DC	230/50	
<b>A</b>  2/2- way valve, normally closed, with 3-way pilot servo-assistance	<b>Seal material FKM</b>							
	Ø 20	15	5.0	0,5 - 6	PVC	041 938	041 934	
	Ø 25	20	6.0	0,5 - 6	PVC	042 008	042 005	
	Ø 32	25	14.0	0,5 - 6	PVC	042 079	042 113	
	Ø 40	32	16.0	0,5 - 6	PVC	042 169	042 133	
	Ø 50	40	30.0	0,5 - 6	PVC	042 198	042 245	
	Ø 63	50	36.0	0,5 - 6	PVC	042 264	042 262	
	<b>Seal material EPDM</b>							
	Ø 20	15	5.0	0,5 - 6	PVC	041 980	041 911	
	Ø 25	20	6.0	0,5 - 6	PVC	042 045	041 986	
	Ø 32	25	14.0	0,5 - 6	PVC	042 047	042 126	
	Ø 40	32	16.0	0,5 - 6	PVC	042 183	042 128	
	Ø 50	40	30.0	0,5 - 6	PVC	042 195	042 247	
	Ø 63	50	36.0	0,5 - 6	PVC	042 266	042 261	

**i** Further versions on request

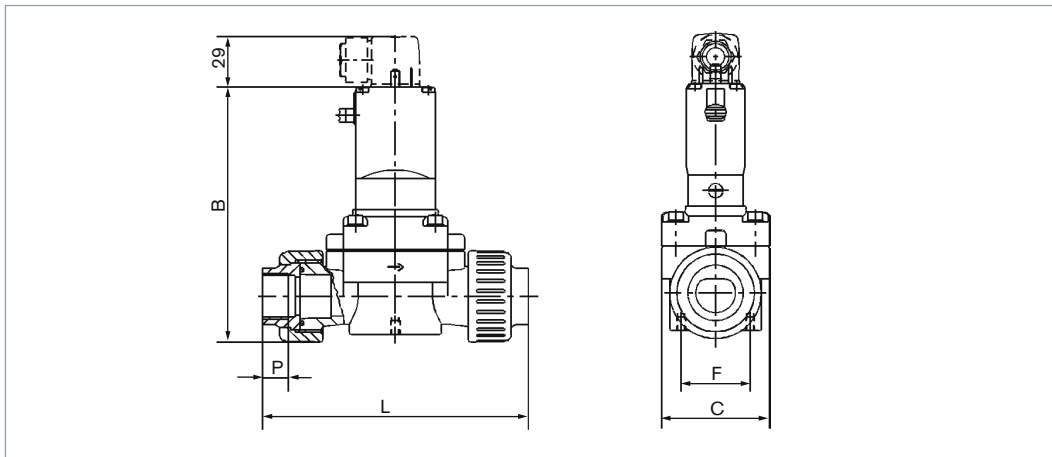
 **Materials**  
Body material PVDF

 **Port connection**  
With threaded port

 **Circuit function**  
B, normally open

 Feedback switch

## Dimensions [mm]



All versions					PVC-body		PVDF-body	
DN	Pipe Ø	B	C	F	L	P	L	P
15	20	148	62.5	40	148	16	147	16
20	25	148	62.5	40	154	19	151	18
25	32	174.5	85	44.5	190	22	185	20
32	40	174.5	85	44.5	198	26	189	22
40	50	212	115	44.5	254	31	245	25
50	63	212	115	44.5	268	38	253	29